

↔ DOMETIC

MOBILE COOLING

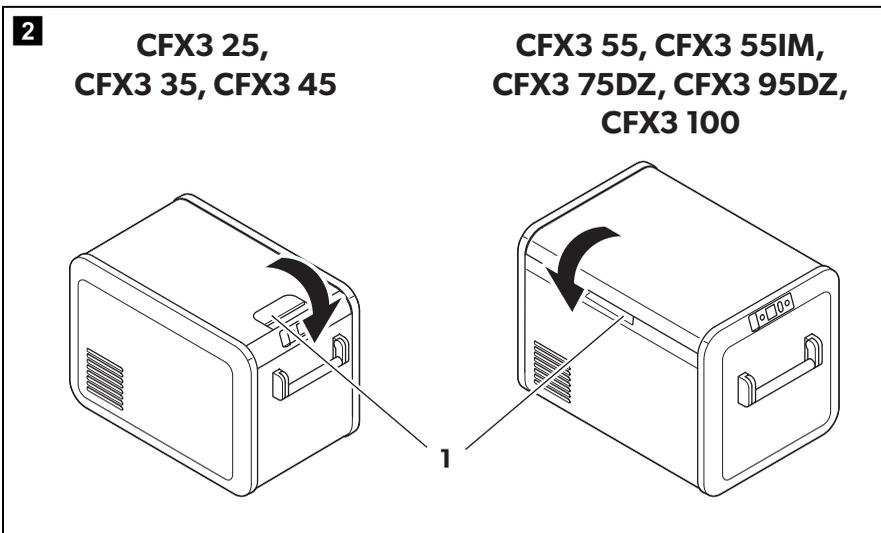
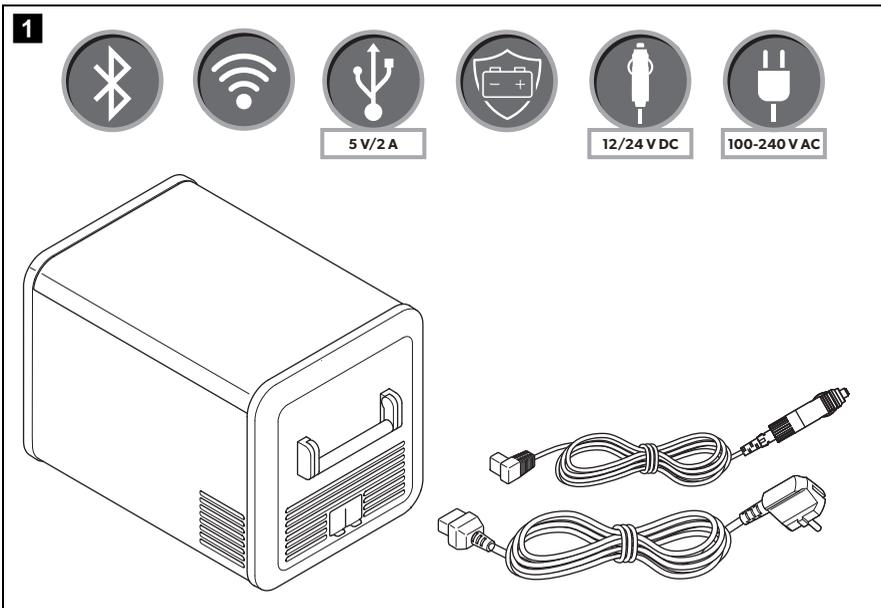
CFX3

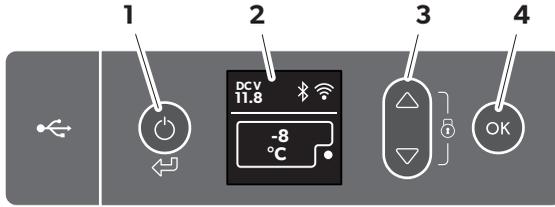


CFX3 25, CFX3 35, CFX3 45, CFX3 55, CFX3 55IM,
CFX3 75DZ, CFX3 95DZ, CFX3 100

EN	Compressor Cooler Operating manual	18	NO	Kjøleboks med kompressor Bruksanvisning	267
DE	Kompressor-Kühlbox Bedienungsanleitung	43	FI	Kompressori-kylmälaatikko Käyttöohje	293
FR	Glacière à compression Notice d'utilisation	72	RU	Компрессорный холодильник Инструкция по эксплуатации	319
ES	Nevera por compresor Instrucciones de uso	101	PL	Przenośna lodówka kompresorowa Instrukcja obsługi	350
PT	Geleira com compressor Manual de instruções	130	SK	Chladiaci box s kompresorom Návod na obsluhu	379
IT	Frigorifero a compressore Istruzioni per l'uso	158	CS	Kompressorový chladicí box Návod k obsluze	407
NL	Compressorkoelbox Gebruiksaanwijzing	187	HU	Kompresszor hűtőláda Használati utasítás	434
DA	Kompressor-køleboks Betjeningsvejledning	215		مكثف جهاز التبريد دليل التشغيل	462
SV	Kylbox med kompressor Bruksanvisning	241	AR		

© 18.3.22 Dometic Group. The visual appearance of the contents of this manual is protected by copyright and design law. The underlying technical design and the products contained herein may be protected by design, patent or be patent pending. The trademarks mentioned in this manual belong to Dometic Sweden AB. All rights are reserved.

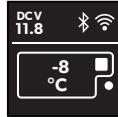


3

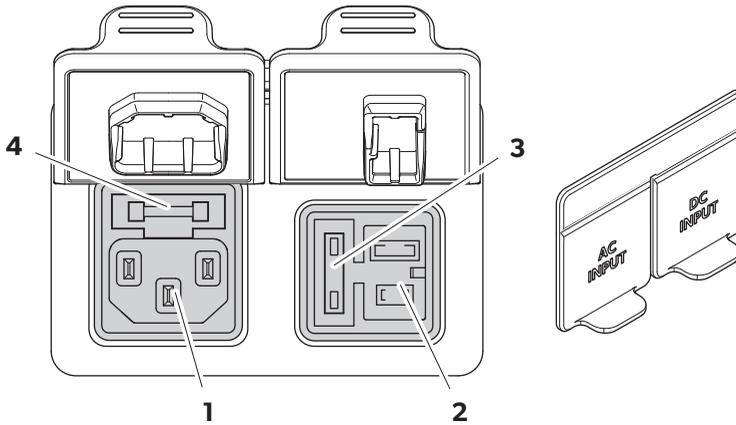
**CFX3 25, CFX3 35,
CFX3 45, CFX3 55, CFX3 100**



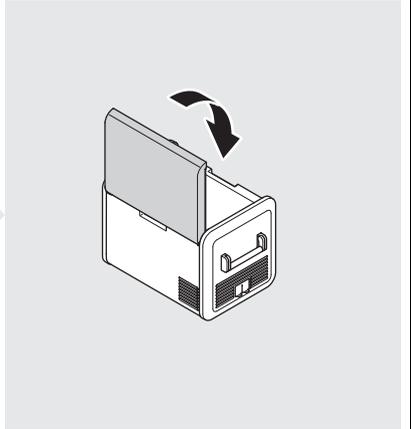
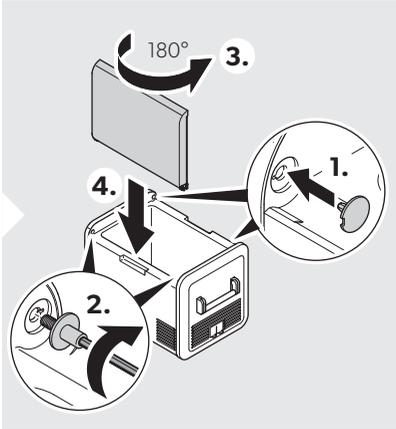
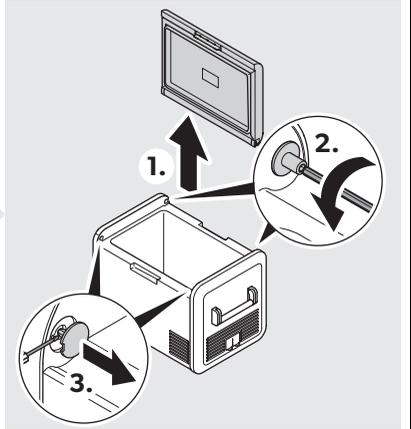
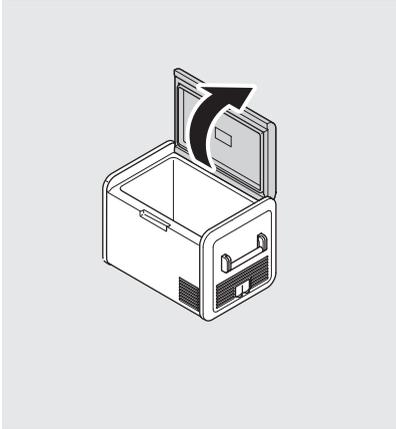
CFX3 55 IM



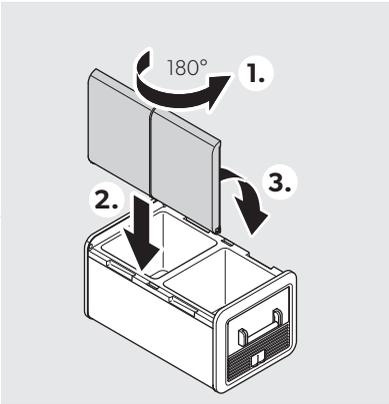
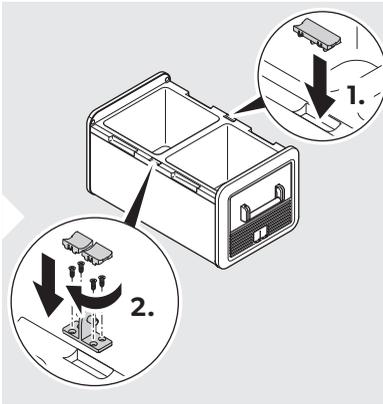
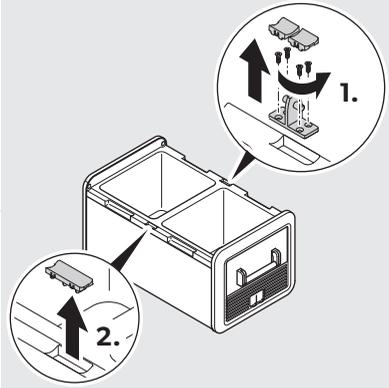
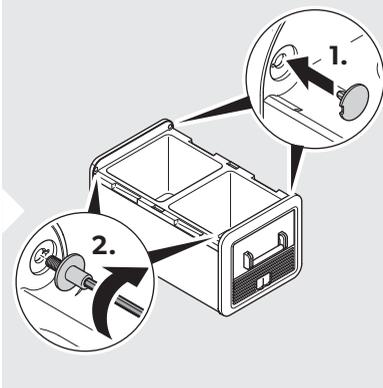
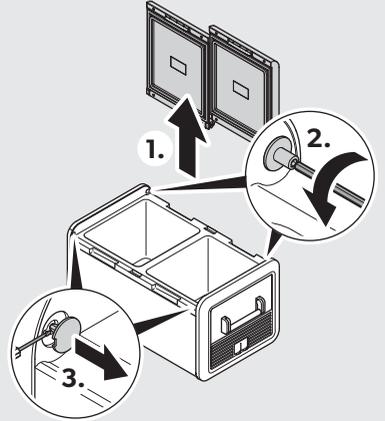
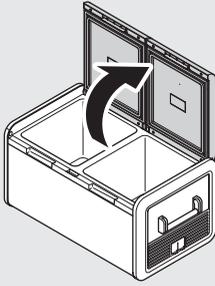
CFX3 75DZ, CFX3 95DZ

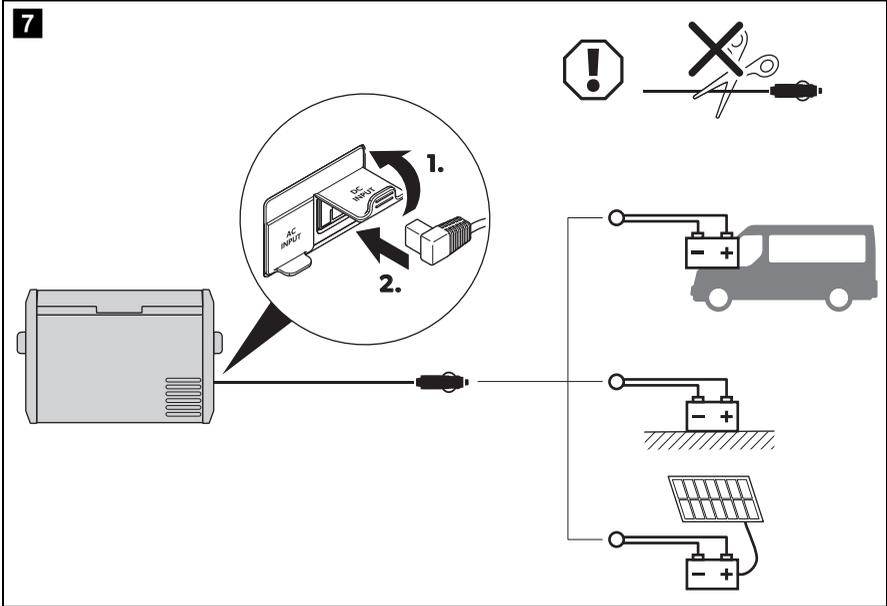
**4**

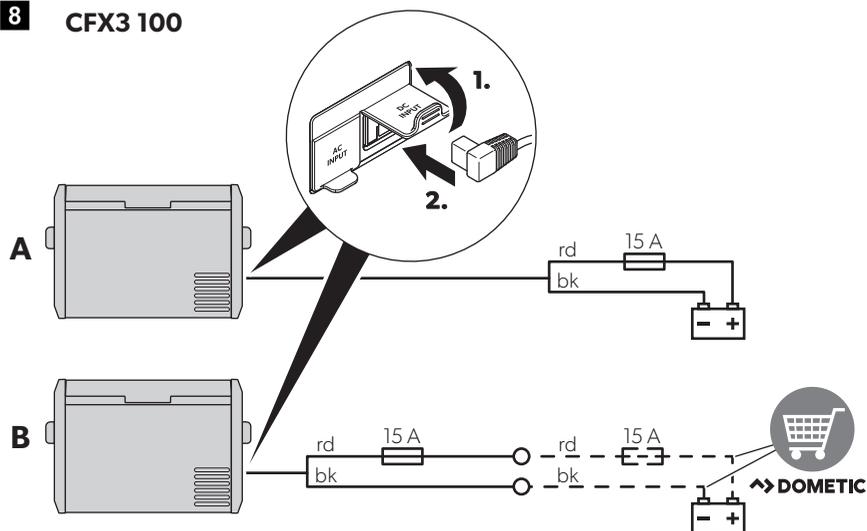
5



6

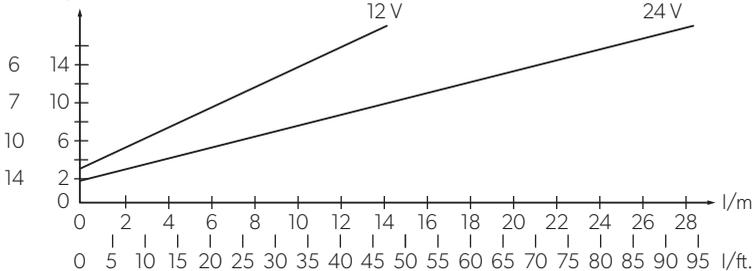


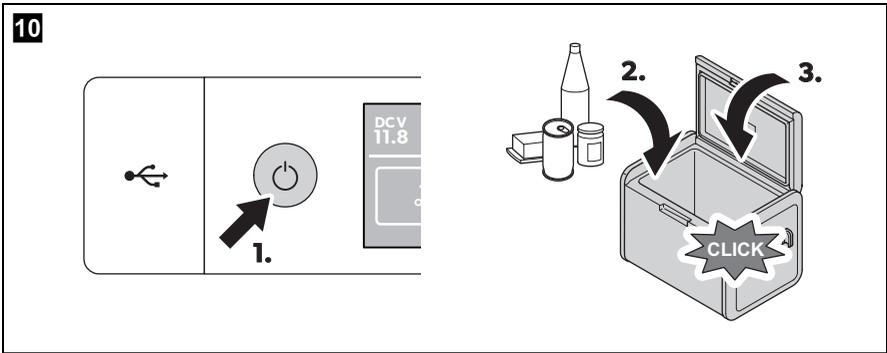
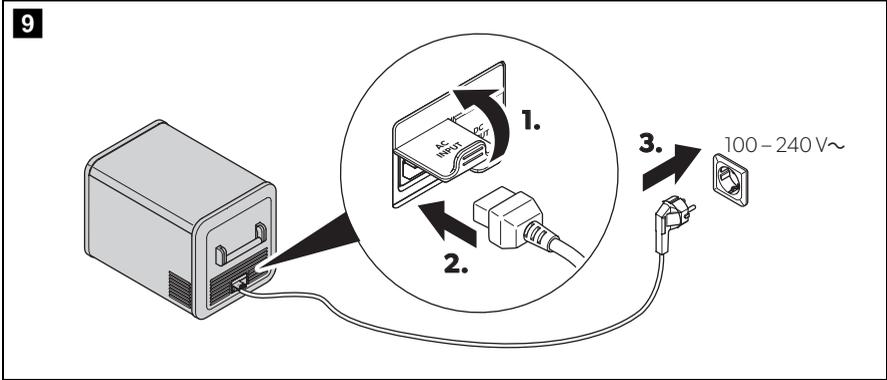


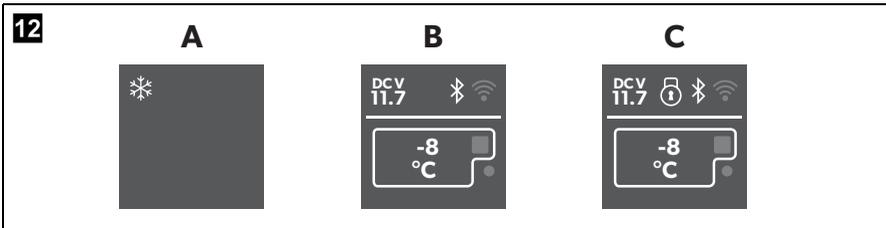
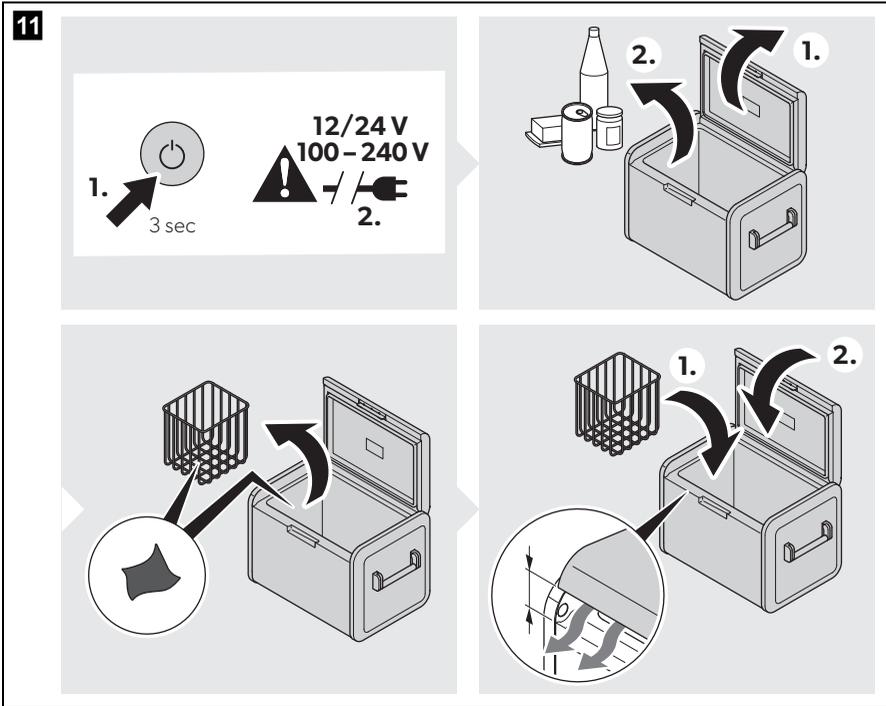
8 CFX3 100


	EN	DE	FR	ES	PT	IT	NL	DA	SV
bk	Black	Schwarz	Noir	Negro	Preto	Nero	Zwart	Sort	Svart
rd	Red	Rot	Rouge	Rojo	Vermelho	Rosso	Rood	Rød	Röd

	NO	FI	RU	PL	SK	CS	HU
bk	Svart	Musta	Черный	Czarny	Čierna	Černá	Fekete
rd	Rød	Punainen	Красный	Czerwony	Červená	Červená	Piros


 AWG Ø/mm²






13 CFX3 25/CFX3 35/
CFX3 45/CFX3 55/
CFX3 100



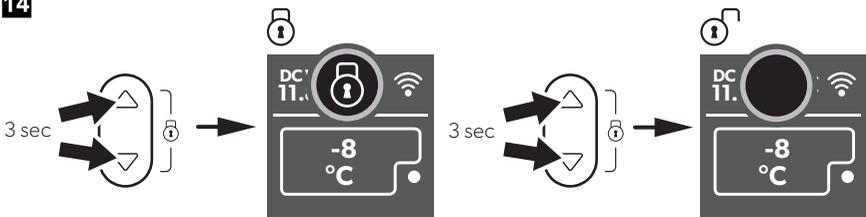
CFX3 55IM



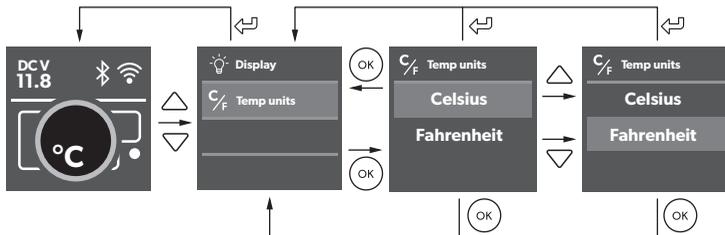
**CFX3 75DZ/
CFX3 95DZ**



14

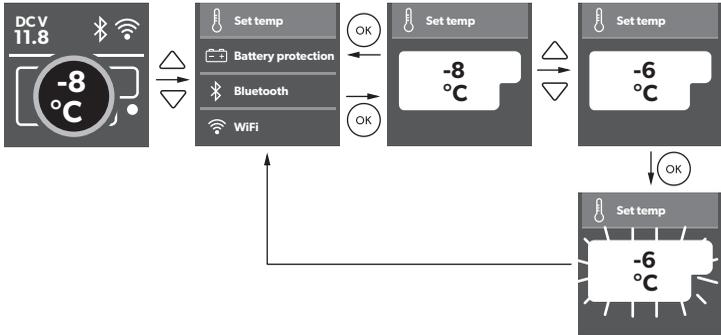


15

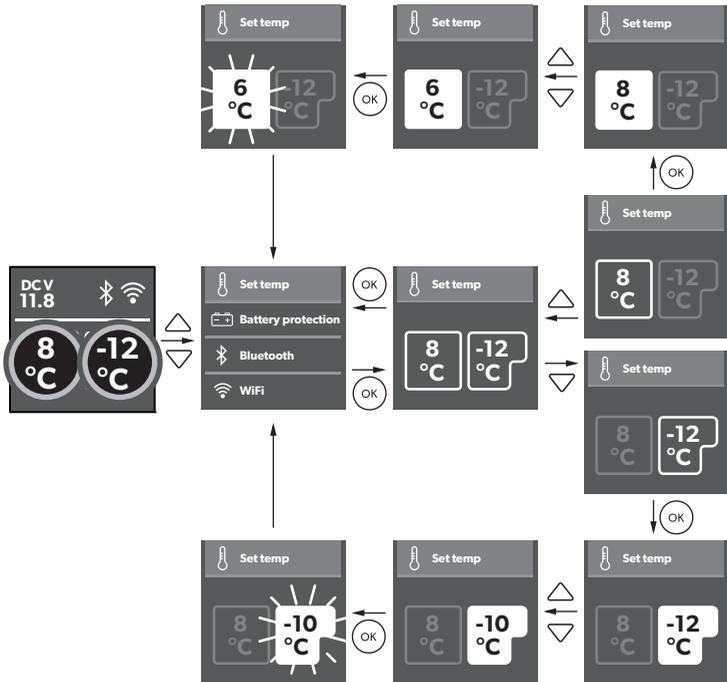


16

CFX3 25/CFX3 35/CFX3 45/CFX3 55/CFX3 55IM/CFX3 100



CFX3 75DZ/CFX3 95DZ



17

DCV 11.8 Bluetooth WiFi

-8 °C

Set temp

Battery protection Bluetooth WiFi

Battery protection

High Medium Low

Battery protection

High Medium Low

Low Medium/High

		Low	Medium	High
12V	OFF	10.1V	11.2V	11.8V
	ON	11.4V	12.2V	12.6V
24V	OFF	21.5V	24.1V	24.6V
	ON	23.0V	25.3V	26.2V

18

DCV 11.8 Bluetooth WiFi

-8 °C

Display

C/F Temp units

Display

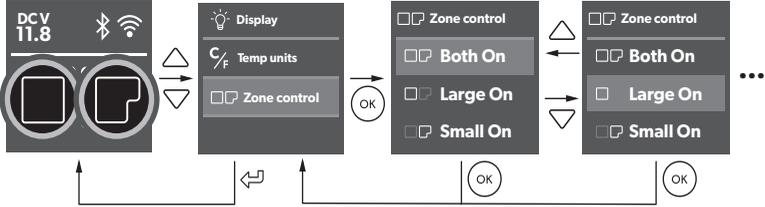
Display

Display

Display

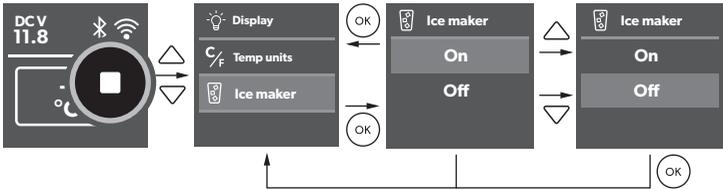
19

CFX3 75DZ/CFX3 95DZ

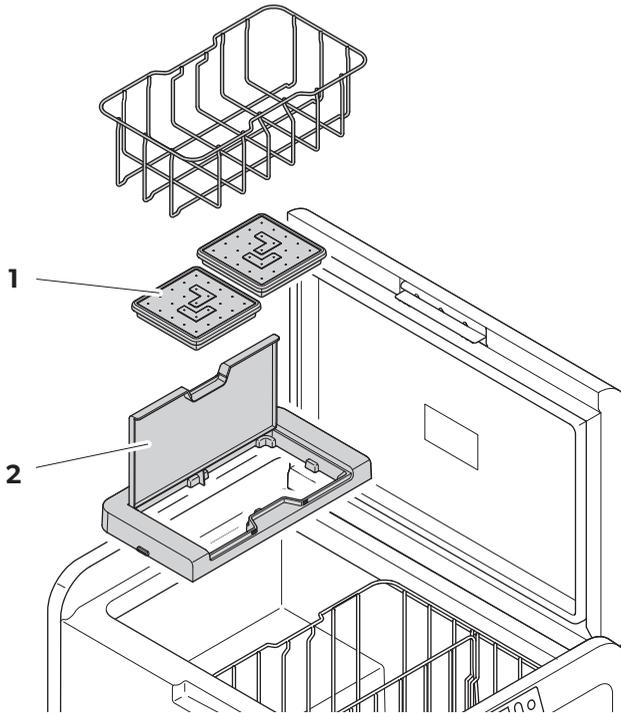


20

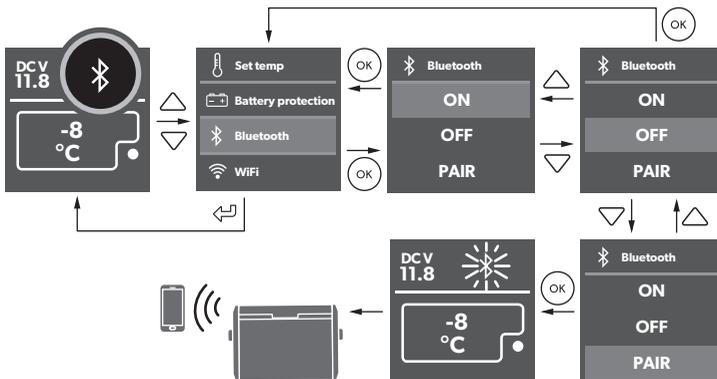
CFX3 55 IM



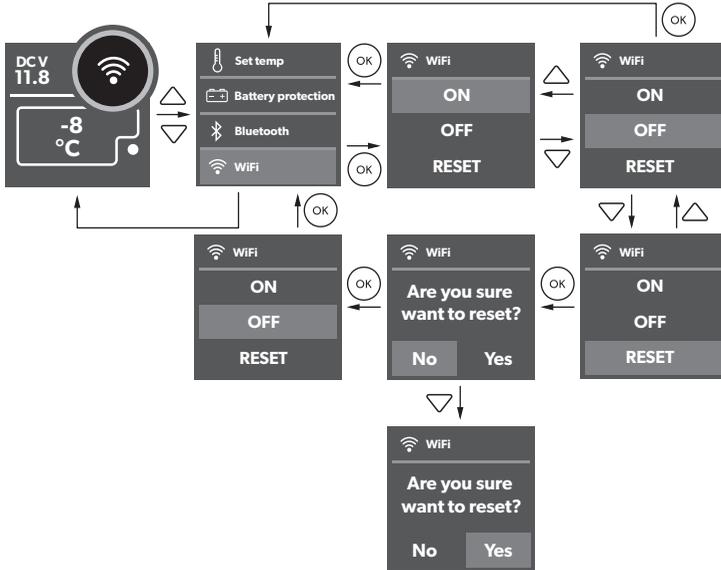
21



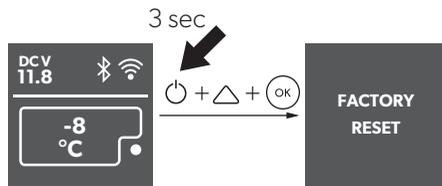
22



23

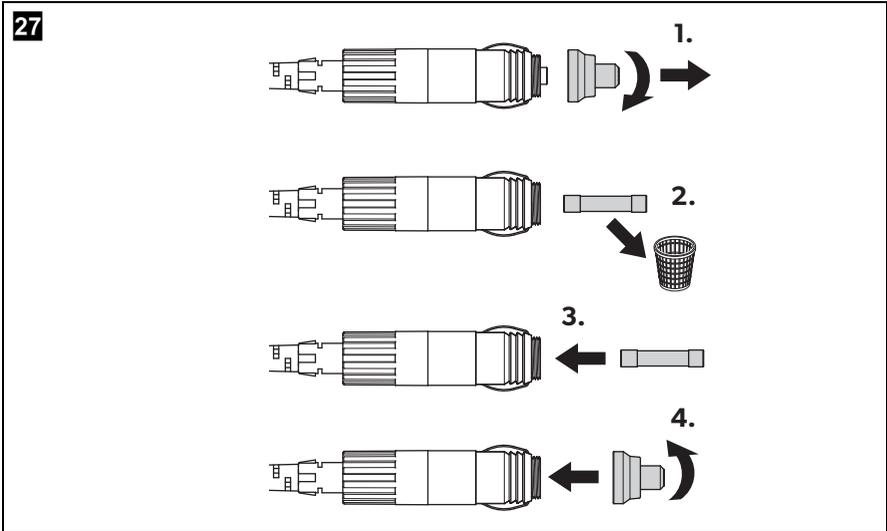
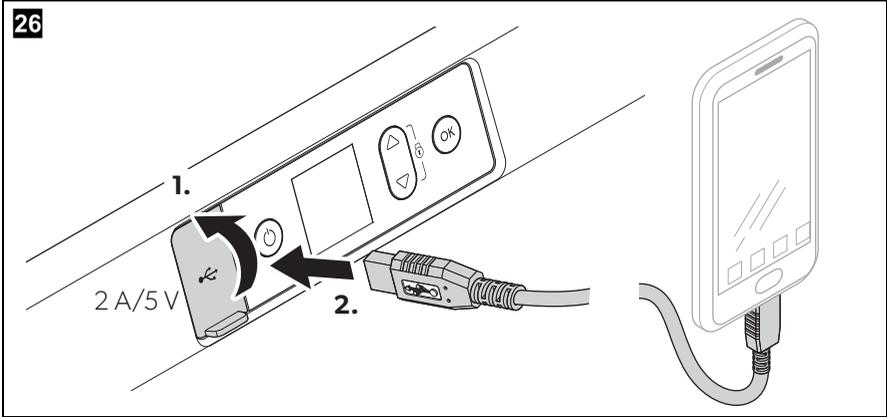


24



25





Please read these instructions carefully and follow all instructions, guidelines, and warnings included in this product manual in order to ensure that you install, use, and maintain the product properly at all times. These instructions **MUST** stay with this product.

By using the product, you hereby confirm that you have read all instructions, guidelines, and warnings carefully and that you understand and agree to abide by the terms and conditions as set forth herein. You agree to use this product only for the intended purpose and application and in accordance with the instructions, guidelines, and warnings as set forth in this product manual as well as in accordance with all applicable laws and regulations. A failure to read and follow the instructions and warnings set forth herein may result in an injury to yourself and others, damage to your product or damage to other property in the vicinity. This product manual, including the instructions, guidelines, and warnings, and related documentation, may be subject to changes and updates. For up-to-date product information, please visit documents.dometic.com, dometic.com.

Contents

1	Explanation of symbols	19
2	Safety instructions	20
3	Scope of delivery	22
4	Accessories	23
5	Intended use	23
6	Function description	24
	6.1 Scope of functions.	24
	6.2 Operating and display elements	25
7	Operation	26
	7.1 Before initial use	26
	7.2 Saving energy	26
	7.3 Reversing the lid opening direction	27
	7.4 Connecting the cooler	27
	7.5 Using the cooler	28
	7.6 Using the display	28
	7.7 Locking/unlocking the display	29
	7.8 Selecting the temperature units	29
	7.9 Setting the temperature	29
	7.10 Using the battery protection	29
	7.11 Setting the display's brightness	30
	7.12 Switching on or off the compartments (only CFX3 75DZ, CFX3 95DZ)	30
	7.13 Using the ice maker (only CFX3 55IM).	30
	7.14 Downloading the CFX3 app.	31
	7.15 Setting the Bluetooth signal and connecting to the app.	32
	7.16 Setting the WiFi signal and connecting to the app	32
	7.17 Changing CFX name and password in the app	32
	7.18 Resetting the app password (WiFi only)	32

7.19	Resetting to factory settings	33
7.20	USB port for power supply	33
7.21	Defrosting the cooler	33
7.22	Replacing the AC fuse	34
7.23	Replacing the DC fuse	34
7.24	Replacing the DC plug fuse	34
7.25	Replacing the light PCB	34
8	Cleaning and maintenance	35
9	Troubleshooting	35
10	Warranty	37
11	Disposal	38
12	Technical data	38

1 Explanation of symbols



DANGER!

Safety instruction: Indicates a hazardous situation that, if not avoided, will result in death or serious injury.



WARNING!

Safety instruction: Indicates a hazardous situation that, if not avoided, could result in death or serious injury.



CAUTION!

Safety instruction: Indicates a hazardous situation that, if not avoided, could result in minor or moderate injury.



NOTICE!

Indicates a situation that, if not avoided, can result in property damage.



NOTE

Supplementary information for operating the product.

2 Safety instructions



DANGER! Failure to obey these warnings will result in death or serious injury.

Electrocution hazard

- On boats: If the device is powered by the mains, ensure that the power supply has a residual current circuit breaker.
- Do not touch exposed cables with your bare hands. This applies especially when operating the device from the AC mains.
- Before starting the device, ensure that the power supply line and the plug are dry.



WARNING! Failure to obey these warnings could result in death or serious injury.

Electrocution hazard

- Do not operate the cooling device if it is visibly damaged.
- If this cooling device's power cable is damaged, it must be replaced to prevent safety hazards.
- This cooling device may only be repaired by qualified personnel. Improper repairs can lead to considerable hazards.
- Plug the device to sockets that ensure proper connection especially when the device needs to be earthed.

Fire hazard

- When positioning the device, ensure the supply cord is not trapped or damaged.
- Do not locate multiple portable socket-outlets or portable power supplies at the rear of the device.
- Keep the ventilation openings on the device housing or in installations free of obstructions.
- Do not use any mechanical objects or other means to speed up the defrosting process, unless they have been recommended by the manufacturer for this purpose.
- Do not damage the refrigerant circuit.

Health hazard

- This device can be used by children aged from 8 years and above and persons with reduced physical, sensory or mental capabilities or lack of experience and knowledge if they have been given supervision or instruction concerning use of the device in a safe way and understand the hazards involved.

- Children shall not play with the device.
- Cleaning and user maintenance shall not be made by children without supervision.
- Children aged from 3 to 8 years are allowed to load and unload cooling devices.

Explosion hazard

- Do not store any explosive substances such as spray cans with a flammable propellant in the cooling device.



CAUTION! Failure to obey these cautions could result in minor or moderate injury.

Electrocution hazard

- Disconnect the cooling device from the power supply
 - before each cleaning and maintenance
 - after every use

Health hazard

To avoid contamination of food, please respect the following instructions:

- Please check if the cooling capacity of the device is suitable for storing the food or medicine you wish to cool.
- Food may only be stored in its original packaging or in suitable containers.
- Opening the cooling device for long periods can cause significant increase of the temperature in the compartments of the device.
- Clean regularly surfaces that can come in contact with food and accessible drainage systems.
- If the device is left empty for long periods:
 - Switch off the device.
 - Defrost the device.
 - Clean and dry the device.
 - Leave the lid open to prevent mold developing within the device.



NOTICE! Damage hazard

- Check that the voltage specification on the data plate corresponds to that of the energy supply.
- Only connect the cooling device as follows:
 - With the DC connection cable to a DC power supply in the vehicle
 - Or with the AC connection cable to an AC power supply
- Never pull the plug out of the socket by the cable.

- If the cooling device is connected to a DC outlet, disconnect the cooling device and other power consuming devices from the battery before connecting a quick charging device.
- If the cooling device is connected to a DC outlet, disconnect the cooling device or switch it off when you turn off the engine. Otherwise you may discharge the battery.
- The cooling device is not suitable for transporting caustic materials or materials containing solvents.
- The insulation of the cooling device contains flammable cyclopentane and requires special disposal procedures. Deliver the cooling device at the end of its life-cycle to an appropriate recycling center.
- Do not use electrical devices inside the cooling device unless they are recommended by the manufacturer for the purpose.
- Do not place the cooling device near naked flames or other heat sources (heaters, direct sunlight, gas ovens etc.).
- **Risk of overheating!**
Ensure at all times that there is a minimum of 50 mm ventilation on all four sides of the cooling device. Keep the ventilation area free of any objects that could restrict the air flow to the cooling components. Do not place the cooling device in closed compartments or areas with none or minimal air flow.
- Ensure that the ventilation openings are not covered.
- Do not fill the inner container with ice or fluids.
- Never immerse the cooling device in water.
- Protect the cooling device and cables against heat and moisture.
- The device shall not to be exposed to rain.

3 Scope of delivery

Item in fig. 1, page 3	Quantity	Description
1	1	Cooler
2	1	Connection cable for DC connection
3	1	Connection cable for AC connection

4 Accessories

Available as accessory (not included in scope of delivery):

Designation	Ref. no.	Model
Protective cover		
CFX3 25PC	9600028749	CFX3 25
CFX3 35PC	9600028455	CFX3 35
CFX3 45PC	9600028456	CFX3 45
CFX3 55PC	9600028457	CFX3 55
		CFX3 55IM
CFX3 75PC	9600028458	CFX3 75DZ
CFX3 95PC	9600028459	CFX3 95DZ
CFX3 100PC	9600028460	CFX3 100
Fridge slide		
CFX3 SLD3545	9600028548	CFX3 35
		CFX3 45
CFX3 SLD55	9600028549	CFX3 55
		CFX3 55IM
CFX3 SLD75	9600028550	CFX3 75DZ
CFX3 SLD95100	9600028551	CFX3 95DZ
		CFX3 100
CFX3 app	–	suits all models
PLB40	9600012878	suits all models

Note that the CFX3 app may not be available in your country.

5 Intended use

The cooling box is suitable for cooling food. The cooling box is also suitable for use on vehicles. The cooling box is designed to be operated from a DC power supply socket of a vehicle or from an AC power supply.

The cooling box is also suitable for camping use.

The cooling box is intended to be used in household and similar applications such as

- staff kitchen areas in shops, offices and other working environments
- farm houses
- clients in hotels, motels and other residential type environments
- bed and breakfast type environments
- catering and similar non-retail applications

The cooling box is **not** suitable for:

- storage of corrosive, caustic or solvent-containing substances

This cooling box is only suitable for the intended purpose and application in accordance with these instructions.

This manual provides information that is necessary for proper installation and/or operation of the cooling box. Poor installation and/or improper operating or maintenance will result in unsatisfactory performance and a possible failure.

The manufacturer accepts no liability for any injury or damage to the product resulting from:

- Incorrect assembly or connection, including excess voltage
- Incorrect maintenance or use of spare parts other than original spare parts provided by the manufacturer
- Alterations to the product without express permission from the manufacturer
- Use for purposes other than those described in this manual

Dometic reserves the right to change product appearance and product specifications.

6 Function description

A low maintenance refrigerant circuit with compressor provides the cooling. The generous insulation and powerful compressor ensure efficient and fast cooling.

The cooler is portable.

The cooler can withstand a short-term inclination of 30°.

6.1 Scope of functions

- Power supply with priority circuit for connecting to the AC power supply
- Three-level battery protection to protect the vehicle battery
- Display with temperature gauge in °C and °F

- Temperature setting in steps of 1 °C (1 °F)
- Integrated WiFi and Bluetooth function hence controllable using an app
- Foldable carrying handles
- USB charger for portable devices such as mobile phones
- Removable wire basket
- **CFX3 55IM only:** Ice maker

6.2 Operating and display elements

Latch for lid: fig. 2 1, page 3

Operating panel (fig. 3, page 4):

Item	Description	Explanation
1		<p>Switches the cooler on when the button is pressed briefly</p> <p>Switches the cooler off when the button is pressed for three seconds</p> <p>Returns to the previous menu</p>
2	Display	<p>Shows the information</p> <p>AC : AC power supply is connected</p> <p>DCV: DC power supply is connected</p> <p> : Bluetooth is activated</p> <p> : WiFi is activated</p> <p> : Display is locked</p> <p>● : Compressor is working</p> <p>■ : Ice maker is working (CFX3 55IM only)</p>
3		<p>Press  to navigate upwards or to increase the selected value.</p> <p>Press  to navigate downwards or to decrease the selected value.</p> <p>Press  and  simultaneously for 3 s to lock or unlock the display.</p>
4		Press to select a menu or to save the selected value.

Connection sockets (fig. 4, page 4):

Item	Description
1	Connection socket AC voltage supply
2	Connection socket DC voltage supply
3	DC Fuse holder
4	AC Fuse holder

7 Operation

To avoid food waste, note the following:

- Keep temperature fluctuation as low as possible. Only open the cooling device as often and for as long as necessary. Store the foodstuff in such a way that the air can still circulate well.
- Adjust the temperature to the quantity and type of the foodstuff.
- Foodstuff can easily absorb or release odor or taste. Always store foodstuff covered or in closed containers/bottles.

7.1 Before initial use



NOTE

Before starting your new cooler for the first time, you should clean it inside and outside with a damp cloth for hygienic reasons (please also refer to the chapter "Cleaning and maintenance" on page 35).

7.2 Saving energy

- Choose a well ventilated location which is protected from direct sunlight.
- Allow warm food to cool down first before placing it in the cooling device to keep cool.
- Do not open the cooling device more often than necessary.
- Do not leave the cooling device open for longer than necessary.
- If the cooler has a basket: For optimal energy consumption, position the basket according to its position on delivery.
- On a regular basis, make sure the lid seal still fits properly.

7.3 Reversing the lid opening direction

CFX3 55, CFX3 55IM, CFX3 100

- Proceed as shown (fig. **5**, page 5).

CFX3 75DZ, CFX3 95DZ

- Proceed as shown (fig. **6**, page 6).

7.4 Connecting the cooler



NOTICE! Damage hazard

- For protection of the device the DC cable supplied includes a fuse inside the plug. Do **not** remove the fused DC plug. Only use the DC cable supplied.
- Disconnect the cooler and other consumer units from the battery before you connect the battery to a quick charging device. Overvoltage can damage the electronics of the device.

Connecting to a battery

- Proceed as shown (fig. **7**, page 7).

Connecting via extended DC hard-wiring (only CFX3 100)

- Proceed as shown (fig. **8**, page 8).

Connecting to an AC power supply



DANGER! Electrocutation hazard

- Never handle plugs and switches with wet hands or if you are standing on a wet surface.
- If you are operating your cooler on board a boat from a AC power supply, you must install a residual current circuit breaker between the AC power supply and the cooler. Seek advice from a trained technician.

- Proceed as shown (fig. **9**, page 9).

7.5 Using the cooler



NOTICE! Risk of overheating

Ensure at all times that there is sufficient ventilation so that the heat that generated during operation can dissipate. Ensure that the ventilation slots are not covered. Make sure that the device is sufficiently far away from walls and other objects so that the air can circulate.



NOTE

When operating with the battery, the display switches off automatically if the battery voltage is low.

- Switching on the cooler: fig. **10**, page 9
- Switching off the cooler: fig. **11**, page 10

7.6 Using the display

Display states (fig. **12**, page 10)

Item	Description
A	Stand by
B	Idle
C	Locked

Display overview: fig. **13**, page 11

Navigating through the menus

The highlighted menu is selected.

- ▶ Press  to navigate upwards.
- ▶ Press  to navigate downwards.

Choosing a menu

- ▶ Press  to select the required menu.

Changing settings

The highlighted value or setting is selected.

- ▶ Press  to increase the selected value or to choose the previous setting.

- ▶ Press  to decrease the selected value or to choose the next setting.

Returning to the previous menu

- ▶ Press  to return to the previous menu without saving.

7.7 Locking/unlocking the display

- ▶ Press  and  simultaneously for 3 s to lock or unlock the display (fig. **14**, page 11).

7.8 Selecting the temperature units

- ▶ Proceed as shown (fig. **15**, page 11).

7.9 Setting the temperature



NOTICE! Damage hazard from excessively low temperature

Ensure that only those objects are placed in the cooler that are intended to be cooled at the selected temperature.

- ▶ Proceed as shown (fig. **16**, page 12).

7.10 Using the battery protection

The device is equipped with 3-stage battery protection. The battery protection prevents excessive discharging when the device is connected to a vehicle starter battery or maximises the use of a supply battery.

If the cooler is operated when the vehicle ignition is switched off, the cooler switches off automatically as soon as the supply voltage falls below a set level. The cooler will switch back on once the battery has been recharged to the restart voltage level.



NOTICE! Damage hazard

When switched off by the battery protection, the battery will no longer be fully charged. Avoid starting repeatedly. Ensure that the battery is recharged.



NOTE

When the cooler is supplied by a starter battery, select the battery protection mode "MEDIUM" or "HIGH". If the cooler is connected to a supply battery, the battery protection mode "LOW" is ideal.

- ▶ Proceed as shown (fig. **17**, page 13).

7.11 Setting the display's brightness

- ▶ Proceed as shown (fig. **18**, page 13).

7.12 Switching on or off the compartments (only CFX3 75DZ, CFX3 95DZ)

You can activate each zone individually or both of them.

- ▶ Proceed as shown (fig. **19**, page 14).

7.13 Using the ice maker (only CFX3 55IM)



NOTE

- Independent of the main compartment's temperature setting, the ice maker zone is designed for making ice cubes if the ice maker is switched on.
- The cooler's energy consumption increases with ice maker on. Therefore you should switch off the ice maker if it is not needed.
- The factory setting for the ice maker is OFF.

- ▶ Proceed as shown (fig. **20**, page 14).

Filling the ice trays with water

- ▶ Remove the ice trays (fig. **21** 1, page 15) from the ice maker housing (fig. **21** 2, page 15).
- ▶ Remove the ice tray covers, fill with clean water and re-fit the cover, taking care to press the edge seal all the way around.
- ▶ Re-position the ice trays in the ice maker housing and close the lid.



NOTE

Dry any water spillage from under the ice trays.
This will reduce ice build up under the trays and make removal easier.

Removing the ice cubes

- ▶ Open the ice maker housing lid and lift under the front of the ice trays.

**NOTE**

Removal may require additional force using two hands in high humidity conditions which may create an ice bond underneath the ice trays.

- ▶ Remove the ice tray covers and twist trays to release the ice cubes.

Removing the ice maker housing

The ice maker housing can be removed for cleaning or when not in use to increase usable space inside the cooler:

- ▶ Lift the housing at one end until the lug unclips, then remove.
- ▶ Reverse procedure for re-fit, pushing down on lugs to snap into position.

Tips for using the ice maker

- The ice maker makes ice fast for a number of hours after switching on and then automatically goes into an ice maintenance mode to reduce energy consumption. If multiple batches of ice are required as quickly as possible, switching the ice maker off and back on will set it back into fast ice making mode. Repeat as required.
- Low freezer temperature settings in the main compartment may not be maintained in high ambient temperature conditions with the ice maker switched on.

Cleaning and drying the ice maker

- ▶ When not in use clean and dry the ice trays and inside the ice maker housing to prevent mould.
- ▶ Following extended periods of non-use clean the inside of the ice trays with a mild dish washing solution and rinse with clean water prior to use.

7.14 Downloading the CFX3 app

The cooler can be monitored and controlled via Bluetooth or WiFi using an app that you can install on a compatible device.

- ▶ Download the CFX3 app from App Store or Google Play:



Note that the CFX3 app may not be available in your country.

7.15 Setting the Bluetooth signal and connecting to the app

The cooler can be monitored and controlled via Bluetooth. To do so, you have to pair the cooler with your Bluetooth device.



NOTE

- Pairing must be done within the CFX3 app, not in device settings.
- There is no password required for Bluetooth connection.

► Proceed as shown (fig. **22**, page 15).

7.16 Setting the WiFi signal and connecting to the app

The cooler can be monitored and controlled via WiFi direct to cooler or via a WiFi network.

- Proceed as shown (fig. **23**, page 16) to turn WiFi on.
- For WiFi direct to cooler, go to device settings and select your cooler.
 - The WiFi name of your cooler begins with “CFX3”.
 - The preset password is “**00000000**”.
 - You can personalise the WiFi name and the password in the CFX3 app.



NOTE

For connection via WiFi network, go to “network connection” in the app SETTINGS.

7.17 Changing CFX name and password in the app

- You can personalise the name of your CFX in the app.
 - The same name applies to both Bluetooth and WiFi.
 - You can also personalise your password in the app -applicable only to WiFi.
- Proceed to “CFX name and password” in the app SETTINGS.

7.18 Resetting the app password (WiFi only)

You can reset the app password to the factory setting “**00000000**”.

► Proceed as shown (fig. **23**, page 16).

7.19 Resetting to factory settings

The reset function changes all display menu and app fields to the original factory settings.

- ▶ Proceed as shown (fig. **24**, page 16).

7.20 USB port for power supply

The USB port allows you to charge small devices like mobile phones and mp3 players.



NOTE

Ensure that any small device connected to the USB port is compatible with 5 V/2 A operation.

- ▶ Proceed as shown (fig. **26**, page 17).

7.21 Defrosting the cooler

Humidity can form frost in the interior of the cooling device or on the evaporator. This reduces the cooling capacity. Defrost the device in good time to avoid this.



NOTICE! Damage hazard

Never use hard or pointed tools to remove ice or to loosen objects which have frozen in place.

To defrost the cooler, proceed as follows:

- ▶ Take out the contents of the cooler.
- ▶ If necessary, place them in another cooling device to keep them cool.
- ▶ Switch off the device.
- ▶ Leave the lid open.
- ▶ Wipe off the defrosted water.

7.22 Replacing the AC fuse



DANGER! Electrocutation hazard

Disconnect the power supply and the connection cable before you replace the device fuse.

- ▶ Disconnect the power supply to the device.
- ▶ Pull out the connection cable.
- ▶ Pry out the fuse insert (fig. **4** 4, page 4) with a screwdriver.
- ▶ Replace the defective glass fuse with a new one of the same type and rating (Fast Acting, 4 A, 250 V).
- ▶ Press the fuse insert back into the housing.
- ▶ Reconnect the power supply to the device.

7.23 Replacing the DC fuse

- ▶ Pry out the fuse cover (fig. **4** 3, page 4) with a screwdriver.
- ▶ Reverse the fuse cover and use hook to remove the defective blade fuse.
- ▶ Push in a new fuse of the same type and rating.
- ▶ Re-fit the fuse cover.

7.24 Replacing the DC plug fuse

- ▶ Replace the defective fuse with a new fuse of the same type and rating.
- ▶ Proceed as shown (fig. **27**, page 17).

7.25 Replacing the light PCB



NOTICE! Damage hazard

The lamp can only be replaced by the manufacturer, a service agent or similarly qualified person to avoid hazard.

8 Cleaning and maintenance



NOTICE! Damage hazard

- Never clean the cooling device under running water or in dish water.
- Do not use abrasive cleaning agents or hard objects during cleaning as these can damage the cooling device.

- Occasionally clean the cooling device interior and exterior with a damp cloth.
- Make sure that the air inlet and outlet vents on the device are free of any dust and dirt, so that heat can be released and the device is not damaged.

9 Troubleshooting

Fault	Possible cause	Suggested remedy
The device does not function (DC mode, ignition on).	No voltage was detected in the DC power outlet.	In most vehicles the ignition must be turned on before power will be supplied to the DC power outlet.
	The DC outlet is dirty. This results in a poor electrical contact.	If the plug of the device becomes very warm in the DC outlet, either the DC outlet must be cleaned or the plug has not been assembled correctly.
	The fuse of the DC plug has blown.	Replace the fuse in the DC plug, see chapter "Replacing the DC plug fuse" on page 34.
	The device DC fuse has blown.	Replace the device DC fuse, see chapter "Replacing the DC fuse" on page 34.
	The vehicle fuse has blown.	Replace the vehicle's DC outlet fuse. Please refer to your vehicle's operating manual.
The device does not function (AC mode).	No voltage present in the AC voltage socket.	Try using another plug socket.
	The device AC fuse has blown.	Replace the device AC fuse, see chapter "Replacing the AC fuse" on page 34.
	The integrated AC adapter is defective.	This can only be repaired by an authorised repair centre.

Fault	Possible cause	Suggested remedy
The display does not respond to keystrokes.	The display is locked.	Unlock the display, see chapter “Locking/unlocking the display” on page 29.
The app cannot control the device.	Bluetooth or WiFi is not connected.	Connect Bluetooth, see chapter “Setting the Bluetooth signal and connecting to the app” on page 32, or Connect WiFi, see chapter “Setting the WiFi signal and connecting to the app” on page 32.
The display shows an alert message or warning code.	–	See table below.

Alert messages

E.g. see fig. 25 A, page 16.

Alert message	Description	Possible cause	Suggested remedy
!ALERT - Lid open > 3 min	Lid open more than 3 minutes	<ul style="list-style-type: none"> • Lid not fully latched • Internal fault 	<ul style="list-style-type: none"> • Check lid latched fully • Authorised repair centre inspection required
!ALERT - Voltage low	The device has stopped working on DC due to low voltage	<ul style="list-style-type: none"> • Insufficient supply voltage • Battery voltage is too low • Battery protection is set too high 	<ul style="list-style-type: none"> • Check voltage drop from battery to power outlet and increase wiring gauge if necessary • Test the battery and charge as needed • Select a lower battery protection setting
	The device has stopped working on DC due to abnormally high voltage >31.5 V (unlikely event – for electronics protection only – uses same alert message as low voltage above)	<ul style="list-style-type: none"> • Wrong DC supply voltage specification • Faulty supply voltage • Internal fault 	<ul style="list-style-type: none"> • Ensure DC supply voltage specification matches CFX3 product rating label • Check DC voltage supply & repair or replace if faulty • Authorised repair centre inspection required

Warning codes

E.g. see fig. 25 B, page 16.

Warning code	Fault	Possible cause	Suggested remedy
!WARNING 32	Fan over-current	Internal fault.	Turn off the device for at least 5 mins., then restart. If the problem persists, authorised repair centre inspection required
!WARNING 33	Compressor start fail		
!WARNING 34	Compressor speed low	<ul style="list-style-type: none"> • High ambient temperature • Air vent blocked or insufficient clearance • Internal fault 	<ul style="list-style-type: none"> • Turn off the device for at least 30 mins., or move to a cooler location, then restart • Clear the vents • Authorised repair centre inspection required
!WARNING 35	Controller over-temperature		
!WARNING 01	NTC open circuit SZ & DZ LARGE	Internal fault	Authorised repair centre inspection required
!WARNING 11	NTC open circuit DZ SMALL		
!WARNING 02	NTC short circuit SZ & DZ LARGE		
!WARNING 12	NTC short circuit DZ SMALL		
!WARNING 09	DZ valve or Ice Maker valve faulty		Turn off the device for at least 1 min., then restart. If the problem persists, authorised repair centre inspection required
!WARNING 03/43	Communication error		

10 Warranty

The statutory warranty period applies. If the product is defective, please contact your retailer or the manufacturer's branch in your country (see dometic.com/dealer).

For repair and warranty processing, please include the following documents when you send in the product:

- A copy of the receipt with purchasing date
- A reason for the claim or description of the fault

11 Disposal



WARNING! Risk of child entrapment

Before disposing of your old cooling device:

- Dismantle the lid.
- Leave the baskets in place so that children may not easily climb inside.

Recycling packaging material



- ▶ Place the packaging material in the appropriate recycling waste bins wherever possible.

Recycling products with non-replaceable batteries, rechargeable batteries or light sources



- ▶ If the product contains any non-replaceable batteries, rechargeable batteries or light sources, you don't have to remove them before disposal.



- ▶ If you wish to finally dispose of the product, ask your local recycling center or specialist dealer for details about how to do this in accordance with the applicable disposal regulations.



- ▶ The product can be disposed free of charge.

12 Technical data



NOTE

The minimum temperature shown in "Cooling capacity" cannot be attained if the ambient temperature is above 32 °C (90 °F) for models CFX3 25/35/45/55/55IM/100 or the ambient temperature is above 30 °C (86 °F) for models CFX3 75DZ/95DZ (set small -22 °C/large +4 °C).

Test/certificates:



	CFX3 25	CFX3 35
Connection voltage:	12/24 V \equiv 100 – 240 V \sim	
Rated current:	12 V \equiv : 6.5 A 24 V \equiv : 3.2 A 100 V \sim : 0.90 A 240 V \sim : 0.38 A	12 V \equiv : 7.5 A 24 V \equiv : 3.3 A 100 V \sim : 0.94 A 240 V \sim : 0.39 A
Cooling capacity:	+20 °C to –22 °C (+68 °F to –8 °F)	
Climate class:	N, T	
Ambient temperature:	+16 °C to +43 °C (+61 °F to +110 °F)	
USB charging port:	5 V \equiv , 2 A	
Frequency range:	WiFi: 2412 MHz – 2472MHz/2422 MHz – 2462MHz Bluetooth/BLE: 2402 MHz – 2480 MHz	
Frequency band (WiFi):	2.4 GHz	
RF output power:	WiFi: 16.62 dBm (802.11b), 16.23 dBm (802.11g), 16.45 dBm (802.11n20), 16.02 dBm (802.11n40) Bluetooth: 8.31 dBm Bluetooth LE: 6.67 dBm	
Refrigerant quantity:	32 g	38 g
CO ₂ equivalent:	0.046 t	0.054 t
Global warming potential (GWP):	1430	
Dimensions (W x D x H) in mm (including handles):	342 x 569 x 420	398 x 694 x 407
Weight:	12.7 kg	16.9 kg

	CFX3 45	CFX3 55
Connection voltage:	12/24 V \equiv 100 – 240 V \sim	
Rated current:	12 V \equiv : 8.2 A 24 V \equiv : 3.5 A 100 V \sim : 0.96 A 240 V \sim : 0.40 A	12 V \equiv : 8.7 A 24 V \equiv : 3.7 A 100 V \sim : 0.98 A 240 V \sim : 0.41 A
Cooling capacity:	+20 °C to –22 °C (+68 °F to –8 °F)	
Climate class:	N, T	
Ambient temperature:	+16 °C to +43 °C (+61 °F to +110 °F)	
USB charging port:	5 V \equiv , 2 A	
Frequency range:	WiFi: 2412 MHz – 2472MHz/2422 MHz – 2462MHz Bluetooth/BLE: 2402 MHz – 2480 MHz	
Frequency band (WiFi):	2.4 GHz	
RF output power:	WiFi: 16.62 dBm (802.11b), 16.23 dBm (802.11g), 16.45 dBm (802.11n20), 16.02 dBm (802.11n40) Bluetooth: 8.31 dBm Bluetooth LE: 6.67 dBm	
Refrigerant quantity:	42 g	45 g
CO ₂ equivalent:	0.060 t	0.064 t
Global warming potential (GWP):	1430	
Dimensions (W x D x H) in mm (including handles):	398 x 694 x 476	720 x 455 x 480
Weight:	18.7 kg	20.4 kg

	CFX3 55IM	CFX3 75DZ	CFX3 95DZ
Connection voltage:	12/24 V=== 100 – 240 V~		
Rated current:	12 V===: 8.9 A 24 V===: 3.8 A 100 V~: 1.00 A 240 V~: 0.42 A	12 V===: 9.6 A 24 V===: 4.2 A 100 V~: 1.12 A 240 V~: 0.47 A	12 V===: 10.4 A 24 V===: 4.6 A 100 V~: 1.22 A 240 V~: 0.51 A
Cooling capacity:	+20 °C to -22 °C (+68 °F to -8 °F)		
Climate class:	N, T		
Ambient temperature:	+16 °C to +43 °C (+61 °F to +110 °F)		
USB charging port:	5 V===, 2 A		
Frequency range:	WiFi: 2412 MHz – 2472MHz/2422 MHz – 2462MHz Bluetooth/BLE: 2402 MHz – 2480 MHz		
Frequency band (WiFi):	2.4 GHz		
RF output power:	WiFi: 16.62 dBm (802.11b), 16.23 dBm (802.11g), 16.45 dBm (802.11n20), 16.02 dBm (802.11n40) Bluetooth: 8.31 dBm Bluetooth LE: 6.67 dBm		
Refrigerant quantity:	45 g	59 g	67 g
CO ₂ equivalent:	0.064 t	0.084 t	0.096 t
Global warming potential (GWP):	1430		
Dimensions (W x D x H) in mm (including handles):	720 x 455 x 480	892 x 495 x 472	962 x 530 x 472
Weight:	21.3 kg	27.8 kg	29.8 kg

	CFX3 100
Connection voltage:	12/24 V=== 100 – 240 V~
Rated current:	12 V===: 10.8 A 24 V===: 4.8 A 100 V~: 1.28 A 240 V: 0.53 A
Cooling capacity:	+20 °C to –22 °C (+68 °F to –8 °F)
Climate class:	N, T
Ambient temperature:	+16 °C to +43 °C (+61 °F to +110 °F)
USB:	5 V===, 2 A
Frequency range:	WiFi: 2412 MHz – 2472MHz/2422 MHz – 2462MHz Bluetooth/BLE: 2402 MHz – 2480 MHz
Frequency band (WiFi):	2.4 GHz
RF output power:	WiFi: 16.62 dBm (802.11b), 16.23 dBm (802.11g), 16.45 dBm (802.11n20), 16.02 dBm (802.11n40) Bluetooth: 8.31 dBm Bluetooth LE: 6.67 dBm
Refrigerant quantity:	60 g
CO ₂ equivalent:	0.086 t
Global warming potential (GWP):	1430
Dimensions (W x D x H) in mm (including handles):	962 x 530 x 472
Weight:	29.6 kg

The coolant circuit contains R134a.

This product contains fluorinated greenhouse gases.

The cooling unit is hermetically sealed.

The radio equipment Dometic CFX3 25 to CFX3 100 complies with the requirements of the directive 2014/53/EU. You can find the Declaration of Conformity of the device on documents.dometic.com.

Lesen und befolgen Sie bitte alle Anweisungen, Richtlinien und Warnhinweise in diesem Produkthandbuch sorgfältig, um sicherzustellen, dass Sie das Produkt ordnungsgemäß installieren und stets ordnungsgemäß betreiben und warten. Diese Anleitung MUSS bei dem Produkt verbleiben.

Durch die Verwendung des Produktes bestätigen Sie hiermit, dass Sie alle Anweisungen, Richtlinien und Warnhinweise sorgfältig gelesen haben und dass Sie die hierin dargelegten Bestimmungen verstanden haben und ihnen zustimmen. Sie erklären sich damit einverstanden, dieses Produkt nur für den angegebenen Verwendungszweck und gemäß den Anweisungen, Richtlinien und Warnhinweisen dieses Produkthandbuchs sowie gemäß allen geltenden Gesetzen und Vorschriften zu verwenden. Eine Nichtbeachtung der hierin enthaltenen Anweisungen und Warnhinweise kann zu einer Verletzung Ihrer selbst und anderer Personen, zu Schäden an Ihrem Produkt oder zu Schäden an anderem Eigentum in der Umgebung führen. Dieses Produkthandbuch, einschließlich der Anweisungen, Richtlinien und Warnhinweise, sowie die zugehörige Dokumentation können Änderungen und Aktualisierungen unterliegen. Aktuelle Produktinformationen finden Sie unter documents.dometic.com, dometic.com.

Inhalt

1	Erläuterung der Symbole	44
2	Sicherheitshinweise	45
3	Lieferumfang	48
4	Zubehör	48
5	Bestimmungsgemäßer Gebrauch	49
6	Funktionsbeschreibung	50
6.1	Funktionsumfang	50
6.2	Bedien- und Anzeigeelemente	51
7	Bedienung	52
7.1	Vor dem ersten Gebrauch	52
7.2	Energie sparen	52
7.3	Deckelöffnungsrichtung umkehren	53
7.4	Kühlgerät anschließen	53
7.5	Kühlgerät verwenden	54
7.6	Display benutzen	54
7.7	Display ver- und entriegeln	55
7.8	Temperatureinheit wählen	55
7.9	Temperatur einstellen	55
7.10	Batteriewächter verwenden	55
7.11	Displayhelligkeit einstellen	56
7.12	Fächer ein- oder ausschalten (nur CFX3 75DZ, CFX3 95DZ)	56
7.13	Eiswürfelbereiter verwenden (nur CFX3 55IM)	56
7.14	CFX3-App herunterladen	58
7.15	Bluetooth-Signal einstellen und Verbindung zur App herstellen	59
7.16	WiFi-Signal einstellen und Verbindung zur App herstellen	59
7.17	CFX-Name und Passwort in der App ändern	59
7.18	App-Passwort zurücksetzen (nur WiFi)	60

7.19	Auf Werkseinstellungen zurücksetzen	60
7.20	USB-Anschluss für Spannungsversorgung	60
7.21	Kühlbox abtauen	60
7.22	Austauschen der Wechselstromsicherung	61
7.23	Sicherung für Gleichstromkreis ersetzen	61
7.24	Sicherung im Gleichstromstecker ersetzen	61
7.25	Austauschen der Lichtleiterplatte	61
8	Reinigung und Pflege	62
9	Störungsbeseitigung	62
10	Garantie	66
11	Entsorgung	66
12	Technische Daten	67

1 Erläuterung der Symbole



GEFAHR!

Sicherheitshinweis: Kennzeichnet eine Gefahrensituation, die zum Tod oder schwerer Verletzung führt, wenn die jeweiligen Anweisungen nicht befolgt werden.



WARNUNG!

Sicherheitshinweis: Kennzeichnet eine Gefahrensituation, die zum Tod oder schwerer Verletzung führen könnte, wenn die jeweiligen Anweisungen nicht befolgt werden.



VORSICHT!

Sicherheitshinweis: Kennzeichnet eine Gefahrensituation, die zu geringer oder mittelschwerer Verletzung führen könnte, wenn die jeweiligen Anweisungen nicht befolgt werden.



ACHTUNG!

Kennzeichnet eine Situation, die zu Sachschäden führen kann, wenn die jeweiligen Anweisungen nicht befolgt werden.

**HINWEIS**

Ergänzende Informationen zur Bedienung des Produktes.

2 Sicherheitshinweise



GEFAHR! Nichtbeachtung dieser Warnungen führt zum Tod oder schwerer Verletzung.

Gefahr durch Stromschlag

- Bei Booten: Sorgen Sie bei Netzbetrieb unbedingt dafür, dass Ihre Stromversorgung über einen FI-Schalter abgesichert ist.
- Fassen Sie nie mit bloßen Händen an blanke Leitungen. Dies gilt vor allem beim Betrieb am Wechselstromnetz.
- Achten Sie vor der Inbetriebnahme darauf, dass Zuleitung und Stecker trocken sind.



WARNUNG! Nichtbeachtung dieser Warnungen kann zum Tod oder schwerer Verletzung führen.

Gefahr durch Stromschlag

- Wenn das Kühlgerät sichtbare Beschädigungen aufweist, dürfen Sie es nicht in Betrieb nehmen.
- Wenn das Netzkabel dieses Kühlgeräts beschädigt ist, muss es zur Vermeidung von Sicherheitsrisiken ausgetauscht werden.
- Reparaturen an diesem Kühlgerät dürfen nur von Fachkräften durchgeführt werden. Durch unsachgemäße Reparaturen können erhebliche Gefahren entstehen.
- Schließen Sie das Gerät an eine Steckdose an, die einen geeigneten Anschluss sicherstellt, insbesondere wenn das Gerät geerdet werden muss.

Brandgefahr

- Achten Sie beim Aufstellen des Geräts darauf, dass das Netzkabel nicht eingeklemmt oder beschädigt wird.
- Platzieren Sie keine Steckdosenleisten oder tragbare Stromversorgungen hinter dem Gerät.
- Halten Sie die Lüftungsöffnungen am Gerätegehäuse oder in Einbaukonstruktionen frei von Hindernissen.
- Benutzen Sie keine mechanischen Gegenstände oder anderen Mittel, um den Abtauprozess zu beschleunigen, außer wenn sie vom Hersteller dafür empfohlen werden.

- Beschädigen Sie nicht den Kältekreislauf.

Gesundheitsgefahr

- Dieses Gerät kann von Kindern ab 8 Jahren und von Personen mit verringerten physischen, sensorischen oder mentalen Fähigkeiten oder Mangel an Erfahrung und/oder Wissen verwendet werden, wenn diese Personen beaufsichtigt werden oder im sicheren Gebrauch des Geräts unterwiesen wurden und die daraus resultierenden Gefahren verstanden haben.
- Kinder dürfen nicht mit dem Gerät spielen.
- Reinigung und Benutzerwartung dürfen nicht durch unbeaufsichtigte Kinder durchgeführt werden.
- Kinder von 3 bis 8 Jahren dürfen Kühlgeräte be- und entladen.

Explosionsgefahr

- Lagern Sie keine explosionsfähigen Stoffe, wie z. B. Sprühdosen mit brennbarem Treibgas, im Kühlgerät.



VORSICHT! Nichtbeachtung dieser Hinweise kann zu leichten bis mittelschweren Verletzungen führen.

Gefahr durch Stromschlag

- Trennen Sie das Kühlgerät von der Spannungsversorgung:
 - vor jeder Reinigung und Pflege
 - nach jedem Gebrauch

Gesundheitsgefahr

Bitte befolgen Sie folgende Hinweise, um eine Verunreinigung von Lebensmitteln zu vermeiden:

- Prüfen Sie bitte, ob die Kühlleistung des Geräts den Anforderungen der Lebensmittel oder Medikamente entspricht, die Sie kühlen möchten.
- Lebensmittel dürfen nur in Originalverpackungen oder geeigneten Behältern gelagert werden.
- Ein längeres Öffnen des Kühlgeräts kann zu einem erheblichen Anstieg der Temperatur in den Fächern des Geräts führen.
- Reinigen Sie regelmäßig Oberflächen, die mit Lebensmitteln in Kontakt kommen können, sowie zugängliche Ablaufsysteme.

- Wenn das Gerät über längere Zeiträume leer bleibt:
 - Schalten Sie das Gerät aus.
 - Tauen Sie das Gerät ab.
 - Reinigen und trocknen Sie das Gerät.
 - Lassen Sie den Deckel offenstehen, um Schimmelbildung im Gerät zu verhindern.



ACHTUNG! Beschädigungsgefahr

- Prüfen Sie, ob die Spannungsangabe auf dem Typenschild mit der vorhandenen Energieversorgung übereinstimmt.
- Schließen Sie das Kühlgerät nur wie folgt an:
 - mit dem Gleichstromkabel an die Gleichstromversorgung im Fahrzeug
 - oder mit dem Wechselstromkabel an das Wechselstromnetz
- Ziehen Sie den Stecker nie am Anschlusskabel aus der Steckdose.
- Wenn das Kühlgerät an eine Gleichstromsteckdose angeschlossen ist, trennen Sie das Kühlgerät und andere Verbraucher von der Fahrzeugbatterie, bevor Sie ein Schnellladegerät anschließen.
- Wenn das Kühlgerät an eine Gleichstromsteckdose angeschlossen ist, trennen Sie das Kühlgerät oder schalten Sie es aus, wenn Sie den Motor abstellen. Anderenfalls kann die Fahrzeugbatterie entladen werden.
- Das Kühlgerät ist für den Transport ätzender oder lösungsmittelhaltiger Stoffe nicht geeignet.
- Die Isolierung des Kühlgeräts enthält brennbares Cyclopentan und erfordert ein besonderes Entsorgungsverfahren. Entsorgen Sie das Kühlgerät am Ende seiner Nutzungsdauer in einem entsprechenden Recyclingcenter.
- Benutzen Sie keine elektrischen Geräte innerhalb des Kühlgerätes, außer wenn diese Geräte vom Hersteller dafür empfohlen werden.
- Stellen Sie das Kühlgerät nicht in der Nähe von offenen Flammen oder anderen Wärmequellen (Heizung, direkte Sonneneinstrahlung, Gasöfen usw.) auf.
- **Überhitzungsgefahr!**
Sorgen Sie dafür, dass an allen vier Seiten des Geräts jederzeit ein Belüftungsabstand von mindestens 50 mm eingehalten wird. Halten Sie den Belüftungsbereich frei von jeglichen Gegenständen, die den Luftstrom zum Kühlaggregat behindern könnten.
Stellen Sie das Kühlgerät nicht in geschlossene Fächer oder in Bereiche ohne oder mit nur geringer Belüftung.

- Achten Sie darauf, dass die Lüftungsöffnungen nicht abgedeckt werden.
- Füllen Sie keine Flüssigkeiten oder Eis in den Innenbehälter.
- Tauchen Sie das Kühlgerät nie in Wasser.
- Schützen Sie das Kühlgerät und die Kabel vor Hitze und Nässe.
- Das Gerät darf keinem Regen ausgesetzt werden.

3 Lieferumfang

Pos. in Abb. 1, Seite 3	Anzahl	Beschreibung
1	1	Kühlbox
2	1	Anschlusskabel für Gleichstrom-Anschluss
3	1	Anschlusskabel für Wechselstrom-Anschluss

4 Zubehör

Als Zubehör erhältlich (nicht im Lieferumfang enthalten):

Bezeichnung	Art.-Nr.	Modell
Schutzhülle		
CFX3 25PC	9600028749	CFX3 25
CFX3 35PC	9600028455	CFX3 35
CFX3 45PC	9600028456	CFX3 45
CFX3 55PC	9600028457	CFX3 55
		CFX3 55IM
CFX3 75PC	9600028458	CFX3 75DZ
CFX3 95PC	9600028459	CFX3 95DZ
CFX3 100PC	9600028460	CFX3 100
Kühlschrankschiene		

Bezeichnung	Art.-Nr.	Modell
CFX3 SLD3545	9600028548	CFX3 35
		CFX3 45
CFX3 SLD55	9600028549	CFX3 55
		CFX3 55IM
CFX3 SLD75	9600028550	CFX3 75DZ
CFX3 SLD95100	9600028551	CFX3 95DZ
		CFX3 100
CFX3-App	–	passend für alle Modelle
PLB40	9600012878	passend für alle Modelle

Beachten Sie, dass die CFX3-App in Ihrem Land möglicherweise nicht verfügbar ist.

5 Bestimmungsgemäßer Gebrauch

Die Kühlbox eignet sich zum Kühlen von Lebensmitteln. Die Kühlbox ist auch für den Einsatz in Fahrzeugen geeignet. Die Kühlbox kann über den Gleichstromanschluss eines Fahrzeugs oder am Wechselstromnetz betrieben werden.

Die Kühlbox ist auch für den Einsatz beim Camping geeignet.

Die Kühlbox ist für den Einsatz im Haushalt und ähnliche Anwendungen vorgesehen, wie

- Personalküchen in Geschäften, Büros und anderen Arbeitsumgebungen
- Landwirtschaftliche Gebäude
- Hotels, Motels und andere wohnungsähnliche Einrichtungen
- „Bed and Breakfast“ u. ä.
- Catering und ähnliche Anwendungen außerhalb des Einzelhandels

Die Kühlbox ist **nicht** für folgende Verwendungszwecke geeignet:

- Lagerung von korrosiven, ätzenden oder lösungsmittelhaltigen Stoffen

Diese Kühlbox ist nur für den angegebenen Verwendungszweck und die Anwendung gemäß dieser Anleitung geeignet.

Dieses Handbuch enthält Informationen, die für die ordnungsgemäße Installation und den ordnungsgemäßen Betrieb der Kühlbox erforderlich sind. Installationsfehler und/oder ein nicht ordnungsgemäßer Betrieb oder nicht ordnungsgemäße Wartung haben eine unzureichende Leistung und u. U. einen Ausfall des Geräts zur Folge.

Der Hersteller übernimmt keine Haftung für Verletzungen oder Schäden am Produkt, die durch Folgendes entstehen:

- Unsachgemäße Montage oder falscher Anschluss, einschließlich Überspannung
- Unsachgemäße Wartung oder Verwendung von anderen als den vom Hersteller gelieferten Original-Ersatzteilen
- Veränderungen am Produkt ohne ausdrückliche Genehmigung des Herstellers
- Verwendung für andere als die in der Anleitung beschriebenen Zwecke

Dometic behält sich das Recht vor, das Erscheinungsbild des Produkts und dessen technische Daten zu ändern.

6 Funktionsbeschreibung

Die Kühlung erfolgt durch einen wartungsarmen Kühlkreislauf mit Kompressor. Die umfassende Isolierung und der leistungsstarke Kompressor gewährleisten eine effiziente und schnelle Kühlung.

Die Kühlbox ist für den mobilen Einsatz geeignet.

Das Kühlgerät kann kurzzeitigen Neigungen von 30° standhalten.

6.1 Funktionsumfang

- Netzteil mit Vorrangschaltung zum Anschluss an ein Wechselstromnetz
- Dreistufiger Batteriewächter zum Schutz der Fahrzeugbatterie
- Display mit Temperaturanzeige in °C und °F
- Temperatureinstellung in Schritten von 1 °C (1 °F)
- Integrierte WiFi- und Bluetooth-Funktion, somit über eine App steuerbar
- Klappbare Tragegriffe
- USB-Ladegerät für tragbare Geräte wie z. B. Mobiltelefone
- Herausnehmbarer Korbeinsatz
- **Nur CFX3 55IM:** Eiswürfelbereiter

6.2 Bedien- und Anzeigeelemente

Riegel für Deckel: Abb. 2 1, Seite 3

Bedienfeld (Abb. 3, Seite 4):

Pos.	Beschreibung	Erläuterung
1		Schaltet die Kühlbox ein, wenn die Taste kurz gedrückt wird Schaltet die Kühlbox aus, wenn die Taste drei Sekunden gedrückt wird Zum Hauptmenü zurückkehren
2	Display	Zeigt folgende Informationen an ac : Wechselstromversorgung ist angeschlossen dcv : Gleichstromversorgung ist angeschlossen  : Bluetooth ist aktiviert  : WiFi ist aktiviert  : Anzeige ist gesperrt ● : Kompressor arbeitet ■ : Eiswürfelbereiter arbeitet (nur CFX3 55IM)
3		Drücken Sie auf  , um nach oben zu navigieren oder um den gewählten Wert zu erhöhen. Drücken Sie auf  , um nach unten zu navigieren oder um den gewählten Wert zu verringern. Durch gleichzeitiges Drücken von  und  für 3 Sekunden wird die Anzeige ver- oder entriegelt.
4		Mit dieser Option wählen Sie ein Menü aus oder speichern den gewählten Wert.

Anschlussbuchsen (Abb. 4, Seite 4):

Pos.	Beschreibung
1	Anschlussbuchse Wechselspannungsversorgung
2	Anschlussbuchse Gleichspannungsversorgung
3	Halter Sicherung für Gleichstromkreis
4	Sicherungshalter (Wechselspannung)

7 Bedienung

Um Lebensmittelverschwendung zu vermeiden, beachten Sie bitte Folgendes:

- Halten Sie Temperaturschwankungen so gering wie möglich. Öffnen Sie das Kühlgerät nur so oft und so lange wie nötig. Lagern Sie Lebensmittel so, dass die Luft immer noch gut zirkulieren kann.
- Passen Sie die Temperatur der Menge und Art der Lebensmittel an.
- Lebensmittel nehmen leicht Gerüche auf und geben Gerüche oder Aromen ab. Lagern Sie Lebensmittel daher stets abgedeckt oder in geschlossenen Behältern bzw. Flaschen.

7.1 Vor dem ersten Gebrauch

**HINWEIS**

Bevor Sie das neue Kühlgerät in Betrieb nehmen, sollten Sie es aus hygienischen Gründen innen und außen mit einem feuchten Tuch reinigen (siehe auch Kapitel „Reinigung und Pflege“ auf Seite 62).

7.2 Energie sparen

- Wählen Sie einen gut belüfteten und vor Sonneneinstrahlung geschützten Stellplatz.
- Lassen Sie warme Speisen erst abkühlen, bevor Sie sie im Gerät kühl halten.
- Öffnen Sie den Kühlschrank nicht häufiger als nötig.
- Lassen Sie den Kühlschrank nicht länger offen stehen als nötig.
- Wenn das Gerät über einen Korb verfügt: Um einen optimalen Energieverbrauch zu erreichen, positionieren Sie den Korb auf die gleiche Weise wie bei der Auslieferung.

- Prüfen Sie in regelmäßigen Abständen, ob die Dichtung des Deckels noch richtig sitzt.

7.3 Deckelöffnungsrichtung umkehren

CFX3 55, CFX3 55IM, CFX3 100

- ▶ Gehen Sie vor wie dargestellt (Abb. **5**, Seite 5).

CFX3 75DZ, CFX3 95DZ

- ▶ Gehen Sie vor wie dargestellt (Abb. **6**, Seite 6).

7.4 Kühlgerät anschließen



ACHTUNG! Beschädigungsgefahr

- Zum Schutz des Geräts verfügt das im Lieferumfang enthaltene Gleichstromkabel über eine Sicherung im Stecker. Entfernen Sie **nicht** den Gleichstromstecker mit der Sicherung. Verwenden Sie nur das im Lieferumfang enthaltene Gleichstromkabel.
- Klemmen Sie die Kühlbox und andere Verbraucher von der Batterie ab, bevor Sie die Batterie mit einem Schnellladegerät aufladen. Überspannungen können die Elektronik der Geräte beschädigen.

An eine Batterie anschließen

- ▶ Gehen Sie vor wie dargestellt (Abb. **7**, Seite 7).

Anschluss über erweiterte Gleichstrom-Festverdrahtung (nur CFX3 100)

- ▶ Gehen Sie vor wie dargestellt (Abb. **8**, Seite 8).

Anschluss an eine Wechselstromversorgung



GEFAHR! Gefahr durch Stromschlag

- Hantieren Sie nie mit Steckern und Schaltern, wenn Sie nasse Hände haben oder mit den Füßen in der Nässe stehen.
- Wenn Sie Ihr Kühlgerät an Bord eines Bootes an einem Wechselspannungsnetz betreiben, müssen Sie einen FI-Schutzschalter zwischen Wechselspannungsnetz und Kühlgerät schalten. Lassen Sie sich von einem Fachmann beraten.

- ▶ Gehen Sie vor wie dargestellt (Abb. **9**, Seite 9).

7.5 Kühlgerät verwenden



ACHTUNG! Überhitzungsgefahr

Stellen Sie jederzeit eine ausreichende Belüftung sicher, sodass die beim Betrieb entstehende Wärme abgeführt werden kann. Stellen Sie sicher, dass die Lüftungsschlitze nicht abgedeckt sind. Sorgen Sie dafür, dass das Gerät in ausreichendem Abstand zu Wänden oder Gegenständen steht, sodass die Luft zirkulieren kann.



HINWEIS

Bei Betrieb an einer Batterie schaltet sich das Display bei niedriger Batteriespannung automatisch ab.

- Kühlbox einschalten: Abb. **10**, Seite 9
- Kühlbox ausschalten: Abb. **11**, Seite 10

7.6 Display benutzen

Displaystati (Abb. **12**, Seite 10)

Pos.	Beschreibung
A	Stand-By
B	Leerlauf
C	Verriegelt

Displayübersicht: Abb. **13**, Seite 11

Durch die Menüs navigieren

Das markierte Menü ist ausgewählt.

- ▶ Drücken Sie , um nach oben zu navigieren.
- ▶ Drücken Sie , um nach unten zu navigieren.

Ein Menü auswählen

- ▶ Drücken Sie , um das gewünschte Menü auszuwählen.

Einstellungen ändern

Der markierte Wert oder die markierte Einstellung ist ausgewählt.

- ▶ Drücken Sie \triangle , um den gewählten Wert zu erhöhen oder die vorherige Einstellung zu wählen.
- ▶ Drücken Sie ∇ , um den gewählten Wert zu verringern oder die nächste Einstellung zu wählen.

Zum vorherigen Menü zurückkehren

- ▶ Drücken Sie \leftarrow , um zum vorherigen Menü zurückzukehren, ohne zu speichern.

7.7 Display ver- und entriegeln

- ▶ Durch gleichzeitiges Drücken von \triangle und ∇ für 3 Sekunden wird die Anzeige ver- oder entriegelt (Abb. **14**, Seite 11).

7.8 Temperatureinheit wählen

- ▶ Gehen Sie vor wie dargestellt (Abb. **15**, Seite 11).

7.9 Temperatur einstellen



ACHTUNG! Gefahr von Schäden durch zu niedrige Temperatur

Achten Sie darauf, dass sich nur Gegenstände bzw. Waren in dem Kühlgerät befinden, die auf die gewählte Temperatur gekühlt werden dürfen.

- ▶ Gehen Sie vor wie dargestellt (Abb. **16**, Seite 12).

7.10 Batteriewächter verwenden

Das Gerät ist mit einem 3-stufigen Batteriewächter ausgestattet. Der Batteriewächter verhindert eine übermäßige Entladung, wenn das Gerät an eine Fahrzeug-Starterbatterie angeschlossen ist, oder maximiert die Nutzung einer Versorgungsbatterie.

Wird die Kühlbox bei ausgeschalteter Zündung im Fahrzeug betrieben, schaltet sich die Kühlbox selbstständig ab, sobald die Versorgungsspannung unter einen einstellbaren Wert abfällt. Die Kühlbox schaltet sich wieder ein, sobald durch Aufladung der Batterie die Wiedereinschaltspannung erreicht wird.



ACHTUNG! Beschädigungsgefahr

Die Batterie wird bei Abschalten durch den Batteriewächter nicht mehr vollständig aufgeladen. Vermeiden Sie wiederholtes Starten. Sorgen Sie dafür, dass die Batterie wieder aufgeladen wird.

**HINWEIS**

Wenn das Kühlgerät von einer Starterbatterie versorgt wird, wählen Sie den Batteriewächter-Modus „MEDIUM“ oder „HIGH“. Wenn die Kühlbox an eine Versorgungsbatterie angeschlossen ist, ist der Batteriewächter-Modus „LOW“ ausreichend.

- Gehen Sie vor wie dargestellt (Abb. **17**, Seite 13).

7.11 Displayhelligkeit einstellen

- Gehen Sie vor wie dargestellt (Abb. **18**, Seite 13).

7.12 Fächer ein- oder ausschalten (nur CFX 3 75DZ, CFX 3 95DZ)

Sie können jede Zone einzeln oder beide aktivieren.

- Gehen Sie vor wie dargestellt (Abb. **19**, Seite 14).

7.13 Eiswürfelbereiter verwenden (nur CFX 3 55IM)

**HINWEIS**

- Unabhängig von der Temperatureinstellung des Hauptfachs ist die Eiswürfelbereiterzone für die Herstellung von Eiswürfeln ausgelegt, wenn der Eiswürfelbereiter eingeschaltet ist.
- Der Energieverbrauch des Kühlergeräts steigt mit eingeschaltetem Eisbereiter. Deshalb sollten Sie den Eisbereiter ausschalten, wenn er nicht benötigt wird.
- Die Werkseinstellung für den Eisbereiter ist AUS.

- Gehen Sie vor wie dargestellt (Abb. **20**, Seite 14).

Eisschale mit Trinkwasser füllen

- Nehmen Sie die Eisschalen (Abb. **21** 1, Seite 15) aus dem Eiswürfelbereitergehäuse (Abb. **21** 2, Seite 15) heraus.
- Nehmen Sie die Eisschalenabdeckungen ab, füllen Sie sauberes Wasser ein und setzen Sie die Abdeckung wieder auf. Achten Sie darauf, den Rand der Dichtung rundum zu drücken.
- Positionieren Sie die Eisschalen wieder im Eiswürfelbereitergehäuse und schließen Sie den Deckel.

**HINWEIS**

Trocknen Sie verschüttetes Wasser unter den Eisschalen ab. Dadurch wird die Eisbildung unter den Schalen reduziert und die Entnahme erleichtert.

Eiswürfel entnehmen

- ▶ Öffnen Sie den Deckel des Eiswürfelbereitergehäuses und heben Sie ihn unter die Vorderseite der Eisschalen an.

**HINWEIS**

Das Entfernen kann bei hoher Luftfeuchtigkeit zusätzliche Kraft mit zwei Händen erfordern, da dies zu einer Eisbindung unter den Eisschalen führen kann.

- ▶ Entfernen Sie die Eisschalenabdeckungen und drehen Sie die Schalen, um die Eiswürfel freizugeben.

Eiswürfelbereitergehäuse entfernen

Das Eiswürfelbereitergehäuse kann zur Reinigung oder bei Nichtgebrauch abgenommen werden, um den nutzbaren Raum im Inneren des Kühlergeräts zu vergrößern:

- ▶ Heben Sie das Gehäuse an einem Ende an, bis die Lasche ausrastet, und entfernen Sie es dann.
- ▶ Zum Wiedereinbau in umgekehrter Reihenfolge vorgehen, indem die Laschen nach unten gedrückt werden, um in der Position einzurasten.

Tipps zur Benutzung des Eiswürfelbereiters

- Der Eiswürfelbereiter macht nach dem Einschalten einige Stunden lang schnell Eis und geht dann automatisch in einen Eisermhaltungsmodus über, um den Energieverbrauch zu reduzieren. Wenn mehrere Eisportionen so schnell wie möglich benötigt werden, können Sie den Eiswürfelbereiter durch Aus- und Wiedereinschalten wieder in den Schnelleisbereitungsmodus versetzen. Wiederholen Sie dies nach Bedarf.
- Niedrig eingestellte Gefrieremperaturen im Hauptfach können bei hohen Umgebungstemperaturbedingungen mit eingeschaltetem Eiswürfelbereiter nicht gehalten werden.

Eiswürfelbereiter reinigen und trocknen

- ▶ Bei Nichtgebrauch reinigen und trocknen Sie die Eisschalen und das Innere des Eiswürfelbereiters, um Schimmelbildung zu vermeiden.
- ▶ Reinigen Sie die Eiswürfelschalen nach längerer Nichtbenutzung mit einer milden Spülmittellösung und spülen Sie sie vor der Verwendung mit sauberem Wasser ab.

7.14 CFX3-App herunterladen

Der Kühler kann über Bluetooth oder WiFi mithilfe einer App überwacht und gesteuert werden, die Sie auf einem kompatiblen Gerät installieren können.

- ▶ Laden Sie die CFX3-App aus dem App Store oder von Google Play herunter.



Beachten Sie, dass die CFX3-App in Ihrem Land möglicherweise nicht verfügbar ist.

7.15 Bluetooth-Signal einstellen und Verbindung zur App herstellen

Der Kühler kann über Bluetooth überwacht und gesteuert werden. Dazu müssen Sie den Kühler mit Ihrem Bluetooth-Gerät koppeln.



HINWEIS

- Das Koppeln muss innerhalb der CFX3-App erfolgen, nicht in den Geräteeinstellungen.
- Für die Bluetooth-Verbindung ist kein Passwort erforderlich.

➤ Gehen Sie vor wie dargestellt (Abb. **22**, Seite 15).

7.16 WiFi-Signal einstellen und Verbindung zur App herstellen

Der Kühler kann über eine direkte WiFi-Verbindung zum Kühler oder über ein WiFi-Netzwerk überwacht und gesteuert werden.

➤ Gehen Sie wie abgebildet (Abb. **23**, Seite 16) vor, um WiFi einzuschalten.

- Für eine direkte WiFi-Verbindung zum Kühler gehen Sie zu den Geräteeinstellungen und wählen Sie Ihren Kühler aus.
 - Der WiFi-Name Ihres Kühlers beginnt mit „CFX3“.
 - Das voreingestellte Passwort lautet „**00000000**“.
 - Sie können den WiFi-Namen und das Passwort in der CFX3-App personalisieren.



HINWEIS

Für die Verbindung über das WiFi-Netzwerk gehen Sie in der App zu „Netzwerkverbindung“ in den EINSTELLUNGEN.

7.17 CFX-Name und Passwort in der App ändern

- Sie können den Namen Ihres CFX in der App personalisieren.
 - Der gleiche Name gilt sowohl für Bluetooth als auch für WiFi.
 - Sie können auch das Passwort in der App personalisieren (gilt nur für WiFi).
- Rufen Sie „CFX-Name und Passwort“ in den EINSTELLUNGEN der App auf.

7.18 App-Passwort zurücksetzen (nur WiFi)

Sie können das App-Passwort auf die Werkseinstellung „00000000“ zurücksetzen.

- Gehen Sie vor wie dargestellt (Abb. 23, Seite 16).

7.19 Auf Werkseinstellungen zurücksetzen

Mit der Rücksetzfunktion werden alle Displaymenü- und App-Felder auf die ursprünglichen Werkseinstellungen zurückgesetzt.

- Gehen Sie vor wie dargestellt (Abb. 24, Seite 16).

7.20 USB-Anschluss für Spannungsversorgung

Sie können den USB-Anschluss zum Laden von Kleingeräten (z. B. Mobiltelefone und MP3-Player) nutzen.



HINWEIS

Stellen Sie sicher, dass das an den USB-Anschluss angeschlossene Kleingerät für den Betrieb bei 5 V/2 A geeignet ist.

- Gehen Sie wie in (Abb. 26, Seite 17) gezeigt vor.

7.21 Kühlbox abtauen

Luftfeuchtigkeit kann sich im Innenraum des Kühlgeräts als Reif niederschlagen, der die Kühlleistung verringert. Tauen Sie das Gerät rechtzeitig ab.



ACHTUNG! Beschädigungsgefahr

Verwenden Sie nie harte oder spitze Werkzeuge zum Entfernen von Eisschichten oder zum Lösen festgefrorener Gegenstände.

Gehen Sie wie folgt vor, um die Kühlbox abzutauen:

- Entfernen Sie alle Gegenstände aus dem Kühlgerät.
- Lagern Sie sie ggf. in einem anderen Kühlgerät, damit sie kalt bleiben.
- Schalten Sie das Gerät aus.
- Lassen Sie den Deckel geöffnet.
- Wischen Sie das Tauwasser auf.

7.22 Austauschen der Wechselstromsicherung



GEFAHR! Gefahr durch Stromschlag

Trennen Sie das Gerät vor dem Austauschen der Gerätesicherung von der Spannungsversorgung und ziehen Sie das Anschlusskabel ab.

- ▶ Unterbrechen Sie die Spannungsversorgung des Geräts.
- ▶ Ziehen Sie das Anschlusskabel ab.
- ▶ Hebeln Sie den Sicherungseinsatz (Abb. **4** 4, Seite 4) z. B. mit einem Schraubendreher heraus.
- ▶ Tauschen Sie die defekte Glassicherung gegen eine neue Sicherung desselben Typs mit demselben Wert (flink, 4 A, 250 V) aus.
- ▶ Drücken Sie den Sicherungseinsatz wieder in das Gehäuse.
- ▶ Verbinden Sie das Gerät wieder mit der Spannungsversorgung.

7.23 Sicherung für Gleichstromkreis ersetzen

- ▶ Hebeln Sie den Sicherungsdeckel (Abb. **4** 3, Seite 4) mit einem Schraubendreher heraus.
- ▶ Drehen Sie den Sicherungsdeckel um und entfernen Sie die defekte Flachstecksicherung mit einem Haken.
- ▶ Setzen Sie eine neue Sicherung desselben Typs mit demselben Wert ein.
- ▶ Setzen Sie den Sicherungsdeckel wieder ein.

7.24 Sicherung im Gleichstromstecker ersetzen

- ▶ Tauschen Sie die defekte Sicherung gegen eine neue Sicherung desselben Typs mit demselben Wert aus.
- ▶ Gehen Sie vor wie dargestellt (Abb. **27**, Seite 17).

7.25 Austauschen der Lichtleiterplatte



ACHTUNG! Beschädigungsgefahr

Die Lampe darf nur durch den Hersteller, einen Kundendienst oder eine ähnlich qualifizierte Person ersetzt werden, um Gefährdungen zu vermeiden.

8 Reinigung und Pflege



ACHTUNG! Beschädigungsgefahr

- Reinigen Sie das Kühlgerät niemals unter fließendem Wasser oder in Spülwasser.
- Verwenden Sie zum Reinigen keine scharfen Reinigungsmittel oder harten Gegenstände, da diese das Kühlgerät beschädigen können.

- Reinigen Sie das Kühlgerät innen und außen gelegentlich mit einem feuchten Tuch.
- Stellen Sie sicher, dass die Be- und Entlüftungsöffnungen des Geräts frei von Staub und Verunreinigungen sind, damit die beim Betrieb entstehende Wärme abgeführt werden kann und das Gerät keinen Schaden nimmt.

9 Störungsbeseitigung

Störung	Mögliche Ursache	Lösungsvorschlag
Das Gerät ist nicht funktionsfähig (Gleichstrommodus, Zündung ein).	Die Gleichstromversorgung führt keine Spannung.	Bei den meisten Fahrzeugen muss der Zündschalter eingeschaltet sein, damit die Gleichstromsteckdose Spannung führt.
	Die Gleichstromsteckdose ist verschmutzt. Das hat einen schlechten elektrischen Kontakt zur Folge.	Wenn der Gerätestecker in der Gleichstromsteckdose sehr warm wird, muss entweder die Steckdose gereinigt werden oder der Stecker ist möglicherweise nicht richtig zusammengebaut.
	Die Sicherung des Gleichstromsteckers ist durchgebrannt.	Ersetzen Sie die Sicherung im Gleichstromstecker siehe Kapitel „Sicherung für Gleichstromkreis ersetzen“ auf Seite 61.
	Die Gerätesicherung für den Gleichstromkreis ist durchgebrannt.	Tauschen Sie die Gleichstromsicherung aus, siehe Kapitel „Sicherung für Gleichstromkreis ersetzen“ auf Seite 61.
	Die Fahrzeug-Sicherung ist durchgebrannt.	Tauschen Sie die Sicherung der Gleichstromsteckdose des Fahrzeugs aus. Beachten Sie dazu die Bedienungsanleitung Ihres Fahrzeugs.

Störung	Mögliche Ursache	Lösungsvorschlag
Das Gerät ist nicht funktionsfähig (Wechselstrommodus).	Wechselspannungssteckdose führt keine Spannung.	Versuchen Sie es an einer anderen Steckdose.
	Die Gerätesicherung für den Wechselstromkreis ist durchgebrannt.	Tauschen Sie die Wechselstromsicherung aus, siehe Kapitel „Austauschen der Wechselstromsicherung“ auf Seite 61.
	Das integrierte Netzteil ist defekt.	Die Reparatur kann nur von einem zugelassenen Kundendienstbetrieb durchgeführt werden.
Das Display reagiert nicht auf Tastendrücke.	Das Display ist gesperrt.	Entsperren Sie das Display, siehe Kapitel „Display ver- und entriegeln“ auf Seite 55.
Die App kann das Gerät nicht steuern.	Bluetooth oder WiFi ist nicht verbunden.	Verbinden Sie Bluetooth, siehe Kapitel „Bluetooth-Signal einstellen und Verbindung zur App herstellen“ auf Seite 59, oder verbinden Sie WiFi, siehe Kapitel „WiFi-Signal einstellen und Verbindung zur App herstellen“ auf Seite 59.
Das Display zeigt eine Warmmeldung oder einen Warncode an.	–	Siehe Tabelle unten.

Warmmeldungen

Z. B. siehe Abb. 25 A, Seite 16.

Warmmeldung	Beschreibung	Mögliche Ursache	Lösungsvorschlag
!ALERT - Lid open > 3 min	Deckel mehr als 3 Minuten geöffnet	<ul style="list-style-type: none"> • Deckel nicht vollständig verriegelt • Interner Fehler 	<ul style="list-style-type: none"> • Prüfen, ob der Deckel vollständig verriegelt ist • Inspektion durch eine zugelassene Reparaturwerkstatt erforderlich

Warnmeldung	Beschreibung	Mögliche Ursache	Lösungsvorschlag
!ALERT - Voltage low	Das Gerät hat aufgrund von Unterspannung den Gleichstrombetrieb eingestellt	<ul style="list-style-type: none"> • Unzureichende Versorgungsspannung • Batteriespannung zu niedrig • Der Batteriewächter ist zu hoch eingestellt 	<ul style="list-style-type: none"> • Auf Spannungsabfall von der Batterie zur Steckdose prüfen und ggf. Verdrahtungsstärke erhöhen • Batterie prüfen und bei Bedarf aufladen • Eine niedrigere Einstellung für den Batteriewächter wählen
	Das Gerät hat aufgrund einer anomal hohen Spannung den Gleichstrombetrieb eingestellt > 31,5 V. (ungewöhnliches Ereignis – nur zum Schutz der Elektronik – verwendet dieselbe Alarmmeldung wie oben beschriebenes Unterspannungsereignis)	<ul style="list-style-type: none"> • Gleichstromversorgungsspannung nicht gemäß Spezifikation • Falsche Versorgungsspannung • Interner Fehler 	<ul style="list-style-type: none"> • Sicherstellen, dass die Spezifikation für die Gleichstromversorgungsspannung mit dem CFX3-Typenschild übereinstimmt • Gleichspannungsversorgung überprüfen und bei Defekt reparieren oder austauschen • Inspektion durch eine zugelassene Reparaturwerkstatt erforderlich

Warncodes

Z. B. siehe Abb. 25 B, Seite 16.

Warncode	Störung	Mögliche Ursache	Lösungsvorschlag
!WARNING 32	Überstrom des Lüfters	Interner Fehler	Das Gerät für mindestens 5 Minuten ausschalten und dann neu starten. Wenn das Problem weiter besteht, ist eine Inspektion durch eine autorisierte Werkstatt erforderlich.
!WARNING 33	Kompressorstart fehlgeschlagen		

Warncode	Störung	Mögliche Ursache	Lösungsvorschlag
!WARNING 34	Kompressor- zahl niedrig	<ul style="list-style-type: none"> • Hohe Um- gebungstemperatur • Entlüftungsöff- nung verstopft oder unzurei- chender Abstand • Interner Fehler 	<ul style="list-style-type: none"> • Das Gerät für mindes- tens 30 Minuten aus- schalten oder an einen kühlere Standort stel- len und dann neu starten • Entlüftungsöffnungen freilegen • Inspektion durch eine zugelassene Reparatur- werkstatt erforderlich
!WARNING 35	Übertemperatur des Reglers		
!WARNING 01	Offener Strom- kreis NTC, SZ und DZ GROSS	Interner Fehler	Inspektion durch eine zuge- lassene Reparaturwerkstatt erforderlich
!WARNING 11	Offener Strom- kreis NTC, DZ KLEIN		
!WARNING 02	Kurzschluss NTC, SZ und DZ GROSS		
!WARNING 12	Kurzschluss NTC, SZ KLEIN		
!WARNING 09	DZ-Ventil oder Eiswürfelbereiter- Ventil defekt		Das Gerät für mindestens 1 Minute ausschalten, dann neu starten. Wenn das Prob- lem weiter besteht, ist eine Inspektion durch eine auto- risierte Werkstatt erforder- lich.
!WARNING 03/43	Kommunikations- fehler		

10 Garantie

Es gilt die gesetzliche Gewährleistungsfrist. Sollte das Produkt defekt sein, wenden Sie sich bitte an Ihren Fachhändler oder die Niederlassung des Herstellers in Ihrem Land (siehe dometic.com/dealer).

Bitte senden Sie bei einem Reparatur- bzw. Garantieantrag folgende Unterlagen mit dem Produkt ein:

- Eine Kopie der Rechnung mit Kaufdatum
- Einen Reklamationsgrund oder eine Fehlerbeschreibung

11 Entsorgung



WARNUNG! Gefahr des Einschließens von Kindern

Vor der Entsorgung Ihres alten Kühlgeräts:

- Den Deckel demontieren.
- Die Körbe im Kühlgerät belassen, damit Kinder nicht einfach hineinsteigen können.

Recycling von Verpackungsmaterial



- Geben Sie das Verpackungsmaterial möglichst in den entsprechenden Recycling-Müll.

Recycling von Produkten mit nicht auswechselbaren Batterien, wiederaufladbaren Akkus oder Leuchtmitteln



- Wenn das Produkt keine auswechselbaren Batterien, wiederaufladbaren Akkus oder Leuchtmittel enthält, brauchen Sie diese vor der Entsorgung nicht zu entfernen.



- Wenn Sie das Gerät endgültig entsorgen möchten, informieren Sie sich bitte bei Ihrem Wertstoffhof vor Ort oder bei Ihrem Fachhändler, wie dies gemäß den geltenden Entsorgungsvorschriften zu tun ist.
- Das Produkt kann kostenlos entsorgt werden.

12 Technische Daten



HINWEIS

Die unter „Kühlleistung“ angegebene Mindesttemperatur kann nicht erreicht werden, wenn die Umgebungstemperatur bei den Modellen CFX3 25/35/45/55/55IM/100 über 32 °C (90 °F) oder bei den Modellen CFX3 75DZ/95DZ über 30 °C (86 °F) liegt (Einstellung klein -22 °C/groß +4 °C).

Prüfung/Zertifikate:



	CFX 3 25	CFX 3 35
Anschlussspannung:	12/24 V \equiv 100-240 V \sim	
Nennstrom:	12 V \equiv : 6,5 A 24 V \equiv : 3,2 A 100 V \sim : 0,90 A 240 V \sim : 0,38 A	12 V \equiv : 7,5 A 24 V \equiv : 3,3 A 100 V \sim : 0,94 A 240 V \sim : 0,39 A
Kühlleistung:	+20 °C bis -22 °C (+68 °F bis -8 °F)	
Klimaklasse:	N, T	
Umgebungstemperatur:	+16 °C bis +43 °C (+61 °F bis +110 °F)	
USB-Ladeanschluss:	5 V \equiv , 2 A	
Frequenzbereich:	WiFi: 2412 MHz – 2472 MHz/2422 MHz – 2462 MHz Bluetooth/BLE: 2402 MHz – 2480 MHz	
Frequenzbereich (WiFi):	2,4 GHz	
HF-Ausgangsleistung:	WiFi: 16,62 dBm (802.11b), 16,23 dBm (802.11g), 16,45 dBm (802.11n20), 16,02 dBm (802.11n40) Bluetooth: 8,31 dBm Bluetooth LE: 6,67 dBm	
Kältemittelmenge:	32 g	38 g
CO ₂ -Äquivalent:	0,046 t	0,054 t
Treibhauspotential (GWP):	1430	
Abmessungen (B x T x H) in mm (inkl. Griffe):	342 x 569 x 420	398 x 694 x 407
Gewicht:	12,7 kg	16,9 kg

	CFX 3 45	CFX3 55
Anschlussspannung:	12/24 V \equiv 100-240 V \sim	
Nennstrom:	12 V \equiv : 8,2 A 24 V \equiv : 3,5 A 100 V \sim : 0,96 A 240 V \sim : 0,40 A	12 V \equiv : 8,7 A 24 V \equiv : 3,7 A 100 V \sim : 0,98 A 240 V \sim : 0,41 A
Kühlleistung:	+20 °C bis -22-22 °C (+68 °F bis -8 °F)	
Klimaklasse:	N, T	
Umgebungstemperatur:	+16 °C bis +43 °C (+61 °F bis +110 °F)	
USB-Ladeanschluss:	5 V \equiv , 2 A	
Frequenzbereich:	WiFi: 2412 MHz – 2472 MHz/2422 MHz – 2462 MHz Bluetooth/BLE: 2402 MHz – 2480 MHz	
Frequenzbereich (WiFi):	2,4 GHz	
HF-Ausgangsleistung:	WiFi: 16,62 dBm (802.11b), 16,23 dBm (802.11g), 16,45 dBm (802.11n20), 16,02 dBm (802.11n40) Bluetooth: 8,31 dBm Bluetooth LE: 6,67 dBm	
Kältemittelmenge:	42 g	45 g
CO ₂ -Äquivalent:	0,060 t	0,064 t
Treibhauspotential (GWP):	1430	
Abmessungen (B x T x H) in mm (inkl. Griffe):	398 x 694 x 476	720 x 455 x 480
Gewicht:	18,7 kg	20,4 kg

	CFX3 55IM	CFX3 75DZ	CFX3 95DZ
Anschlussspannung:	12/24 V=== 100-240 V~		
Nennstrom:	12 V===: 8,9 A 24 V===: 3,8 A 100 V~: 1,00 A 240 V~: 0,42 A	12 V===: 9,6 A 24 V===: 4,2 A 100 V~: 1,12 A 240 V~: 0,47 A	12 V===: 10,4 A 24 V===: 4,6 A 100 V~: 1,22 A 240 V~: 0,51 A
Kühlleistung:	+20 °C bis -22 °C (+68 °F bis -8 °F)		
Klimaklasse:	N, T		
Umgebungstemperatur:	+16 °C bis +43 °C (+61 °F bis +110 °F)		
USB-Ladeanschluss:	5 V===, 2 A		
Frequenzbereich:	WiFi: 2412 MHz – 2472 MHz/2422 MHz – 2462 MHz Bluetooth/BLE: 2402 MHz – 2480 MHz		
Frequenzbereich (WiFi):	2,4 GHz		
HF-Ausgangsleistung:	WiFi: 16,62 dBm (802.11b), 16,23 dBm (802.11g), 16,45 dBm (802.11n20), 16,02 dBm (802.11n40) Bluetooth: 8,31 dBm Bluetooth LE: 6,67 dBm		
Kältemittelmenge:	45 g	59 g	67 g
CO ₂ -Äquivalent:	0,064 t	0,084 t	0,096 t
Treibhauspotential (GWP):	1430		
Abmessungen (B x T x H) in mm (inkl. Griffe):	720 x 455 x 480	892 x 495 x 472	962 x 530 x 472
Gewicht:	21,3 kg	27,8 kg	29,8 kg

	CFX3 100
Anschlussspannung:	12/24 V=== 100-240 V~
Nennstrom:	12 V===: 10,8 A 24 V===: 4,8 A 100 V~: 1,28 A 240 V: 0,53 A
Kühlleistung:	+20 °C bis -22 °C (+68 °F bis -8 °F)
Klimaklasse:	N, T
Umgebungstemperatur:	+16 °C bis +43 °C (+61 °F bis +110 °F)
USB:	5 V===, 2 A
Frequenzbereich:	WiFi: 2412 MHz – 2472 MHz/2422 MHz – 2462 MHz Bluetooth/BLE: 2402 MHz – 2480 MHz
Frequenzbereich (WiFi):	2,4 GHz
HF-Ausgangsleistung:	WiFi: 16,62 dBm (802.11b), 16,23 dBm (802.11g), 16,45 dBm (802.11n20), 16,02 dBm (802.11n40) Bluetooth: 8,31 dBm Bluetooth LE: 6,67 dBm
Kältemittelmenge:	60 g
CO ₂ -Äquivalent:	0,086 t
Treibhauspotential (GWP):	1430
Abmessungen (B x T x H) in mm (inkl. Griffe):	962 x 530 x 472
Gewicht:	29,6 kg

Der Kühlkreis enthält R134a.

Dieses Produkt enthält fluorierte Treibhausgase.

Das Kühlaggregat ist hermetisch verschlossen.

Die Funkanlagen Dometic CFX3 25 bis CFX3 100 erfüllen die Anforderungen der Richtlinie 2014/53/EU. Sie finden die EU-Konformitätserklärung des Geräts auf documents.dometic.com.

Veillez lire et suivre attentivement l'ensemble des instructions, directives et avertissements figurant dans ce manuel afin de vous assurer que vous installez, utilisez et entretenez le produit correctement à tout moment. Ces instructions DOIVENT rester avec le produit.

En utilisant ce produit, vous confirmez expressément avoir lu attentivement l'ensemble des instructions, directives et avertissements et que vous comprenez et acceptez de respecter les modalités et conditions énoncées dans le présent document. Vous acceptez d'utiliser ce produit uniquement pour l'usage et l'application prévus et conformément aux instructions, directives et avertissements figurant dans le présent manuel, ainsi qu'à toutes les lois et réglementations applicables. En cas de non-respect des instructions et avertissements figurant dans ce manuel, vous risquez de vous blesser ou de blesser d'autres personnes, d'endommager votre produit ou d'endommager d'autres biens à proximité. Le présent manuel du produit, y compris les instructions, directives et avertissements, ainsi que la documentation associée peuvent faire l'objet de modifications et de mises à jour. Pour obtenir des informations actualisées sur le produit, veuillez consulter le site documents.dometic.com, dometic.com.

Sommaire

1	Signification des symboles	73
2	Consignes de sécurité	74
3	Contenu de la livraison	77
4	Accessoires	78
5	Usage conforme	78
6	Description du fonctionnement	79
6.1	Étendue des fonctions	80
6.2	Éléments de commande et d'affichage	80
7	Utilisation	81
7.1	Avant la première utilisation	82
7.2	Économie d'énergie	82
7.3	Inversion du sens d'ouverture du couvercle	82
7.4	Raccordement de la glacière	82
7.5	Utilisation de la glacière	83
7.6	Utilisation de l'écran	84
7.7	Verrouillage/déverrouillage de l'écran	84
7.8	Sélection des unités de température	85
7.9	Réglage de la température	85
7.10	Utilisation de la protection de batterie	85
7.11	Réglage de la luminosité de l'écran	85
7.12	Mise en marche ou arrêt des compartiments (uniquement CFX3 75DZ, CFX3 95DZ)	86
7.13	Utilisation de la machine à glaçons (uniquement CFX3 551M)	86
7.14	Téléchargement de l'application CFX3	87
7.15	Réglage du signal Bluetooth et connexion à l'application	88
7.16	Réglage du signal WiFi et connexion à l'application	88
7.17	Changement du nom du CFX et du mot de passe dans l'application	88

7.18	Réinitialisation du mot de passe de l'application (WiFi uniquement)	89
7.19	Restauration des réglages d'usine	89
7.20	Port USB pour l'alimentation électrique	89
7.21	Dégivrage de la glacière	89
7.22	Remplacement du fusible CA	90
7.23	Remplacement du fusible CC	90
7.24	Remplacement du fusible de la fiche CC	91
7.25	Remplacement de la carte d'éclairage	91
8	Nettoyage et maintenance	91
9	Guide de dépannage	92
10	Garantie	95
11	Mise au rebut	95
12	Caractéristiques techniques	96

1 Signification des symboles



DANGER !

Consignes de sécurité : indiquent une situation dangereuse qui, si elle n'est pas évitée, entraînera des blessures graves, voire mortelles.



AVERTISSEMENT !

Consignes de sécurité : indiquent une situation dangereuse qui, si elle n'est pas évitée, est susceptible d'entraîner des blessures graves, voire mortelles.



ATTENTION !

Consignes de sécurité : indiquent une situation dangereuse qui, si elle n'est pas évitée, est susceptible d'entraîner des blessures légères ou de gravité modérée.



AVIS !

indiquent une situation dangereuse qui, si elle n'est pas évitée, peut entraîner des dommages matériels.

**REMARQUE**

Informations complémentaires sur l'utilisation de ce produit.

2 Consignes de sécurité



DANGER ! Le non-respect de cette mise en garde entraînera des blessures graves, voire mortelles.

Risque d'électrocution

- Sur les bateaux : veillez à ce que votre alimentation électrique soit sécurisée par un disjoncteur différentiel si l'appareil est branché sur le secteur.
- Ne touchez jamais les câbles dénudés à mains nues. Cela est surtout valable en cas de fonctionnement sur secteur.
- Avant de mettre l'appareil en service, assurez-vous que la ligne d'alimentation électrique et le connecteur sont secs.



AVERTISSEMENT ! Le non-respect de ces mises en garde peut entraîner des blessures graves, voire mortelles.

Risque d'électrocution

- Si le dispositif de réfrigération présente des dégâts visibles, ne le mettez pas en service.
- Si le câble d'alimentation de ce dispositif de refroidissement est endommagé, il doit être remplacé pour éviter tout danger.
- Seul un personnel qualifié est habilité à effectuer des réparations sur le dispositif de réfrigération. Des réparations inadéquates peuvent engendrer des risques considérables.
- Branchez l'appareil sur des prises permettant un raccordement approprié, en particulier lorsque l'appareil doit être relié à la terre.

Risque d'incendie

- Veillez à ne pas coincer ni endommager le cordon d'alimentation lors de la mise en place de l'appareil.
- Ne placez pas de multiprises portables ou de blocs d'alimentation portables à l'arrière de l'appareil.
- Dégagez les ouvertures d'aération sur le bâti de l'appareil ou dans les éléments encastrés.
- N'exploitez aucun objet mécanique ou tout autre moyen pour accélérer le processus de dégivrage, sauf si le fabricant le recommande.
- N'endommagez pas le circuit frigorifique.

Risque pour la santé

- Cet appareil peut être utilisé par des enfants âgés de 8 ans et plus et des personnes ayant des capacités physiques, sensorielles ou mentales réduites ou un manque d'expérience et de connaissances, s'ils sont sous surveillance ou ont reçu des instructions sur l'utilisation de l'appareil en toute sécurité et comprennent les risques impliqués.
- Les enfants ne doivent pas jouer avec cet appareil.
- Le nettoyage et l'entretien ne doivent pas être effectués par des enfants sans surveillance.
- Les enfants âgés de 3 à 8 ans peuvent charger et décharger les appareils de réfrigération.

Risque d'explosion

- Ne stockez aucune substance explosive comme p. ex. des aérosols contenant un agent propulseur inflammable dans le dispositif de réfrigération.



ATTENTION ! Le non-respect de ces mises en garde peut entraîner des blessures légères ou de gravité modérée.

Risque d'électrocution

- Coupez l'alimentation en courant du dispositif de réfrigération
 - avant tout nettoyage et entretien
 - après chaque utilisation

Risque pour la santé

Pour éviter la contamination des aliments, veuillez respecter les instructions suivantes :

- Veuillez vérifier si la puissance frigorifique de l'appareil correspond à la température de conservation recommandée pour les aliments ou les médicaments que vous souhaitez conserver au frais.
- Les aliments doivent être conservés dans leur emballage d'origine ou dans des récipients appropriés.
- Une ouverture prolongée de l'appareil de réfrigération peut entraîner une augmentation significative de la température dans les compartiments de l'appareil.
- Nettoyez régulièrement les surfaces qui entrent en contact avec les aliments, ainsi que les systèmes de drainage accessibles.

- Si l'appareil est laissé vide pendant une longue période :
 - Éteignez l'appareil.
 - Dégivrez l'appareil.
 - Nettoyez et séchez l'appareil.
 - Laissez le couvercle ouvert pour éviter que des moisissures ne se développent dans l'appareil.



AVIS ! Risque d'endommagement

- Vérifiez que la tension indiquée sur la plaque signalétique correspond à l'alimentation électrique dont vous disposez.
- Raccordez le dispositif de réfrigération uniquement comme indiqué ci-dessous :
 - Raccordez le câble de raccordement au courant continu à l'alimentation en courant continu du véhicule
 - ou avec le câble de raccordement CA à une alimentation CA
- Ne tirez jamais sur le câble de raccordement pour sortir la fiche de la prise.
- Si l'appareil de réfrigération est raccordé à une prise de courant continu, débranchez l'appareil de réfrigération et les autres appareils électriques de la batterie avant de raccorder un chargeur rapide.
- Si l'appareil de réfrigération est raccordé à une prise de courant continu, débranchez-le ou éteignez-le lorsque vous éteignez le moteur. Dans le cas contraire, il se pourrait que la batterie se décharge.
- L'appareil de réfrigération n'est pas adapté pour le transport des matières caustiques ou contenant des solvants.
- L'isolation du dispositif de réfrigération contient des gaz inflammables et nécessite des procédures d'élimination spéciales. À la fin de son cycle de vie, remettez le dispositif de réfrigération à un centre de recyclage approprié.
- N'exploitez pas d'appareils électriques dans le réfrigérateur, sauf s'ils sont recommandés par le fabricant pour cet usage.
- Ne montez pas le dispositif de réfrigération près de flammes nues ou d'autres sources de chaleur (chauffage, fours à gaz, etc.).

- **Risque de surchauffe !**

En toutes circonstances, maintenir une zone de ventilation de 50 mm minimum autour du dispositif de réfrigération. Cette zone de ventilation doit rester libre de tout objet susceptible de réduire le flux d'air acheminé vers les composants réfrigérants.

Ne placez pas le dispositif de réfrigération dans des zones ou à l'intérieur de boîtiers clos dans lesquels l'air ne peut circuler pas ou trop peu.

- Assurez-vous que les ouvertures d'aération ne sont pas recouvertes.
- Ne remplissez pas le bac intérieur de substances liquides ou de glace.
- Ne plongez jamais le dispositif de réfrigération dans l'eau.
- Tenez le dispositif de réfrigération et les câbles à l'abri de la chaleur et de l'humidité.
- L'appareil ne doit pas être exposé à la pluie.

3 Contenu de la livraison

Élément dans fig. 1, page 3	Quantité	Description
1	1	Glacière
2	1	Câble de raccordement au courant continu
3	1	Câble de raccordement au courant alternatif

4 Accessoires

Disponibles en accessoire (non compris dans les pièces fournies) :

Désignation	N° d'article	Modèle
Cache de protection		
CFX3 25PC	9600028749	CFX3 25
CFX3 35PC	9600028455	CFX3 35
CFX3 45PC	9600028456	CFX3 45
CFX3 55PC	9600028457	CFX3 55
		CFX3 55IM
CFX3 75PC	9600028458	CFX3 75DZ
CFX3 95PC	9600028459	CFX3 95DZ
CFX3 100PC	9600028460	CFX3 100
Glissière pour réfrigérateur		
CFX3 SLD3545	9600028548	CFX3 35
		CFX3 45
CFX3 SLD55	9600028549	CFX3 55
		CFX3 55IM
CFX3 SLD75	9600028550	CFX3 75DZ
CFX3 SLD95100	9600028551	CFX3 95DZ
		CFX3 100
CFX3 app	–	convient à tous les modèles
PLB 40	9600012878	convient à tous les modèles

Notez que l'application CFX 3 peut ne pas être disponible dans votre pays.

5 Usage conforme

La glacière est conçue pour la réfrigération d'aliments. La glacière peut également être utilisée dans des véhicules. La glacière est conçue pour être raccordée à la prise d'alimentation CC d'un véhicule ou à une alimentation CA.

La glacière est également adaptée à une utilisation en camping.

La glacière est destinée à être utilisée dans des applications domestiques et similaires, telles que

- les réfectoires destinés au personnel des magasins, des bureaux et autres environnements de travail
- les maisons d'hôtes
- les clients des hôtels, motels et autres environnements de type résidentiel
- les gîtes et environnements similaires
- la restauration et les applications similaires non liées à la vente au détail

La glacière n'est **pas** conçue pour :

- le stockage de substances corrosives, caustiques ou contenant des solvants

Cette glacière convient uniquement à l'usage et à l'application prévus, conformément au présent manuel d'instructions.

Ce manuel fournit les informations nécessaires à l'installation et/ou à l'utilisation correcte de la glacière. Une installation, une utilisation ou un entretien inappropriés entraînera des performances insatisfaisantes et une éventuelle défaillance.

Le fabricant décline toute responsabilité en cas de blessure ou de dommage résultant :

- d'un montage ou d'un raccordement incorrect, y compris d'une surtension
- d'un entretien inadapté ou de l'utilisation de pièces de rechange autres que les pièces de rechange d'origine fournies par le fabricant
- des modifications apportées au produit sans autorisation explicite du fabricant ;
- des usages différents de ceux décrits dans le manuel.

Dometic se réserve le droit de modifier l'apparence et les spécifications produit.

6 Description du fonctionnement

La réfrigération est assurée par un circuit de refroidissement à compresseur qui nécessite peu d'entretien. L'isolation forte et le puissant compresseur assurent un refroidissement particulièrement rapide.

La glacière convient pour une utilisation mobile.

La glacière supporte pendant une courte durée d'être inclinée à 30 °.

6.1 Étendue des fonctions

- Bloc d'alimentation avec raccordement prioritaire pour raccordement sur une alimentation électrique CA
- Protection de batterie à trois niveaux pour protéger la batterie du véhicule
- Écran avec affichage de la température en °C et °F
- Réglage de la température par paliers de 1 °C (1 °F)
- Fonctions WiFi et Bluetooth intégrées contrôlables à l'aide d'une application
- Poignées rabattables
- Chargeur USB pour appareils portables tels que les téléphones mobiles
- Élément panier amovible
- **CFX3 55IM uniquement** : Machine à glaçons

6.2 Éléments de commande et d'affichage

Loquet pour couvercle : fig. 2 1, page 3

Panneau de commande (fig. 3, page 4) :

Élé- ment	Description	Explication
1		Allume la glacière en appuyant brièvement sur la touche Éteint la glacière en appuyant trois secondes sur la touche Revient au menu précédent
2	Écran	Affiche les informations ac : réseau alternatif connecté dcv : réseau continu connecté  : Bluetooth activé  : WiFi activé  : écran verrouillé  : compresseur en marche  : machine à glaçon en marche (CFX 3 55IM uniquement)

Élé- ment	Description	Explication
3		Appuyez sur  pour naviguer vers le haut ou pour augmenter la valeur sélectionnée. Appuyez sur  pour naviguer vers le bas ou pour diminuer la valeur sélectionnée. Appuyez sur  et sur  simultanément pendant 3 s pour verrouiller ou déverrouiller l'écran.
4		Appuyez pour sélectionner un menu ou pour enregistrer la valeur sélectionnée.

Douilles de raccordement (fig. 4, page 4) :

Élé- ment	Description
1	Prise de raccordement de l'alimentation en tension alternative
2	Prise de raccordement de l'alimentation en tension continue
3	Porte-fusible CC
4	Porte-fusible CA

7 Utilisation

Pour éviter de gâcher des aliments, notez les éléments suivants :

- Évitez autant que possible les variations de température. Ouvrez l'appareil de réfrigération uniquement lorsque c'est nécessaire et le moins longtemps possible. Entrez les aliments de sorte que l'air puisse circuler librement entre eux.
- Ajustez la température en fonction de la quantité et de la nature des aliments.
- Les aliments peuvent facilement absorber ou dégager des odeurs. Entrez toujours les aliments dans des conteneurs/bouteilles couverts ou fermés.

7.1 Avant la première utilisation



REMARQUE

Avant de mettre en service votre nouvelle glacière, vous devez, pour des raisons d'hygiène, la nettoyer à l'intérieur et à l'extérieur à l'aide d'un tissu humide (voir aussi chapitre « Nettoyage et maintenance », page 91).

7.2 Économie d'énergie

- Choisissez un emplacement bien aéré et à l'abri du soleil.
- Laissez refroidir les aliments chauds avant de les placer dans l'appareil de réfrigération.
- N'ouvrez pas le dispositif de réfrigération plus souvent que nécessaire.
- Ne laissez pas l'appareil de réfrigération ouvert plus longtemps que nécessaire.
- Si la glacière est équipée d'un bac : Pour une consommation d'énergie optimale, positionnez le bac conformément à sa position à la livraison.
- Vérifiez régulièrement que le joint de la porte est correctement positionné.

7.3 Inversion du sens d'ouverture du couvercle

CFX 3 55, CFX 3 55IM, CFX 3 100

- Procédez comme indiqué (fig. **5**, page 5).

CFX 3 75DZ, CFX 3 95 DZ

- Procédez comme indiqué (fig. **6**, page 6).

7.4 Raccordement de la glacière



AVIS ! Risque d'endommagement

- Pour la protection de l'appareil, le câble CC fourni comprend un fusible à l'intérieur de la fiche. **Ne retirez pas** la fiche CC protégée par fusible.
Utilisez uniquement le câble de raccordement fourni à la livraison.
- Débranchez la glacière et les autres consommateurs d'énergie de la batterie avant de recharger la batterie avec un chargeur rapide.
Les surtensions peuvent endommager l'électronique des appareils.

Raccordement à une batterie

- Procédez comme indiqué (fig. **7**, page 7).

Raccordement par câblage CC étendu (uniquement CFX 3 100)

- Procédez comme indiqué (fig. **8**, page 8).

Raccordement à un réseau alternatif



DANGER ! Risque d'électrocution

- Ne vous approchez pas de fiches ou de commutateurs lorsque vous avez les mains mouillées ou les pieds dans l'eau.
- Si vous raccordez votre glacière à un réseau alternatif à bord d'un bateau, vous devez dans tous les cas brancher un disjoncteur différentiel entre le réseau alternatif et la glacière. Veuillez vous renseigner auprès d'un spécialiste.

- Procédez comme indiqué (fig. **9**, page 9).

7.5 Utilisation de la glacière



AVIS ! Risque de surchauffe

Garantissez en permanence une ventilation suffisante pour que la chaleur générée pendant le fonctionnement puisse se dissiper. Assurez-vous que les fentes d'aération ne sont pas recouvertes. Veillez à ce que l'appareil se trouve à une distance suffisante des murs ou des objets, de sorte que l'air puisse circuler.



REMARQUE

Lorsque l'appareil est fonctionne avec la batterie, l'écran s'éteint automatiquement si la tension de la batterie est faible.

- Mise en marche de la glacière : fig. **10**, page 9
- Mise à l'arrêt de la glacière : fig. **11**, page 10

7.6 Utilisation de l'écran

Affichage des états (fig. 12, page 10)

Élé- ment	Description
A	Veille
B	Inactif
C	Verrouillé

Vue d'ensemble de l'écran : fig. 13, page 11

Navigation dans les menus

Le menu en surbrillance est sélectionné.

- ▶ Appuyez sur  pour naviguer vers le haut.
- ▶ Appuyez sur  pour naviguer vers le bas.

Sélection d'un menu

- ▶ Appuyez sur  pour sélectionner le menu souhaité.

Modification des réglages

La valeur ou le réglage en surbrillance est sélectionné.

- ▶ Appuyez sur  pour augmenter la valeur sélectionnée ou pour sélectionner le réglage précédent.
- ▶ Appuyez sur  pour diminuer la valeur sélectionnée ou pour sélectionner le réglage suivant.

Retour au menu précédent

- ▶ Appuyez sur  pour revenir au menu précédent sans enregistrer.

7.7 Verrouillage/déverrouillage de l'écran

- ▶ Appuyez sur  et sur  simultanément pendant 3 s pour verrouiller ou déverrouiller l'écran (fig. 14, page 11).

7.8 Sélection des unités de température

- Procédez comme indiqué (fig. **15**, page 11).

7.9 Réglage de la température



AVIS ! Risque d'endommagement dû à une température trop basse

Veillez à ne déposer dans la glacière que des objets ou des aliments qui peuvent être réfrigérés à la température sélectionnée.

- Procédez comme indiqué (fig. **16**, page 12).

7.10 Utilisation de la protection de batterie

L'appareil est équipé d'une protection de batterie à 3 niveaux. La protection de batterie empêche une décharge excessive lorsque l'appareil est connecté à une batterie de démarrage de véhicule ou maximise l'utilisation d'une batterie d'alimentation.

Si la glacière est mise en marche alors que l'allumage du véhicule est éteint, elle s'arrête automatiquement dès que la tension d'alimentation descend en dessous d'une valeur prédéfinie. La glacière se remet en marche dès que la batterie est rechargée et que la tension de rallumage est atteinte.



AVIS ! Risque d'endommagement

En cas d'extinction par la protection de batterie, la batterie n'est plus complètement chargée. Évitez de redémarrer à plusieurs reprises. Veillez à recharger la batterie.



REMARQUE

Lorsque la glacière est alimentée par une batterie de démarrage, réglez la protection de batterie sur le mode « MEDIUM » (intermédiaire) ou « HIGH » (élevé). Si la glacière est raccordée à une batterie d'alimentation, le mode de la protection de batterie « LOW » (bas) suffit.

- Procédez comme indiqué (fig. **17**, page 13).

7.11 Réglage de la luminosité de l'écran

- Procédez comme indiqué (fig. **18**, page 13).

7.12 Mise en marche ou arrêt des compartiments (uniquement CFX 3 75DZ, CFX 3 95DZ)

Vous pouvez activer chaque zone individuellement ou les deux.

- Procédez comme indiqué (fig. 19, page 14).

7.13 Utilisation de la machine à glaçons (uniquement CFX 3 55IM)



REMARQUE

- Indépendamment du réglage de la température du compartiment principal, la zone de la machine à glaçons est conçue pour la fabrication de glaçons si la machine à glaçons est en marche.
- La consommation en énergie de la glacière augmente lorsque la machine à glaçons est en marche. C'est pourquoi il est recommandé d'éteindre la machine à glaçons si elle n'est pas utilisée.
- La machine à glaçons est réglée sur OFF (arrêt) par défaut.

- Procédez comme indiqué (fig. 20, page 14).

Remplissage des bacs à glaçons d'eau

- Retirez les bacs à glaçons (fig. 21 1, page 15) du boîtier de la machine à glaçons (fig. 21 2, page 15).
- Retirez les caches des bacs à glaçons, remplissez les bacs d'eau propre et remettez les caches en place en prenant soin de presser le joint de bordure sur tout le pourtour.
- Remplacez les bacs à glaçons dans le boîtier de la machine à glaçons et fermez le couvercle.



REMARQUE

Essuyez l'eau éventuellement renversée sous les bacs à glaçons. Cela réduira la formation de glace sous les bacs et facilitera le retrait.

Retrait des glaçons

- Ouvrez le couvercle du boîtier de la machine à glaçons et le soulever sous l'avant des bacs à glaçons.

**REMARQUE**

Le retrait peut nécessiter d'exercer une force supplémentaire en utilisant les deux mains en présence d'une humidité élevée ayant entraîné la formation de glace sous les bacs à glaçons.

- Retirez les caches des bacs à glaçons et vrillez les bacs pour faire sortir les glaçons.

Retrait du boîtier de la machine à glaçons

Le boîtier de la machine à glaçons peut être retiré pour le nettoyage ou, lorsqu'il n'est pas utilisé, pour augmenter l'espace utilisable à l'intérieur de la glacière :

- Soulevez le boîtier d'un côté jusqu'à ce que le taquet se détache, puis retirez-le.
- Effectuez la procédure inverse pour le remontage, en appuyant sur les taquets pour les réenclencher.

Conseils pour l'utilisation de la machine à glaçons

- La machine à glaçons produit rapidement des glaçons pendant un certain nombre d'heures après sa mise en marche, puis passe automatiquement en mode de maintenance pour réduire la consommation d'énergie. Si plusieurs lots de glaçons sont nécessaires aussi rapidement que possible, le fait d'éteindre et de rallumer la machine à glaçons permet de la remettre en mode de fabrication de glaçons rapide. Répétez au besoin.
- Lorsque la machine à glaçons est en marche, les réglages de température de congélation basse dans le compartiment principal peuvent ne pas être maintenus si la température ambiante est élevée.

Nettoyage et séchage de la machine à glaçons

- Lorsqu'ils ne sont pas utilisés, nettoyez et séchez les bacs à glaçons et l'intérieur du boîtier de la machine à glaçons pour éviter la formation de moisissures.
- Après une longue période de non-utilisation, nettoyez l'intérieur des bacs à glaçons avec du produit vaisselle et rincez à l'eau claire avant l'utilisation.

7.14 Téléchargement de l'application CFX3

La glacière peut être surveillée et pilotée via Bluetooth ou WiFi à l'aide d'une application que vous pouvez installer sur un appareil compatible.

- Téléchargez l'application CFX3 sur l'App Store ou sur Google Play :



Notez que l'application CFX 3 peut ne pas être disponible dans votre pays.

7.15 Réglage du signal Bluetooth et connexion à l'application

La glacière peut être surveillée et pilotée via Bluetooth. Pour ce faire, vous devez coupler la glacière avec votre appareil Bluetooth.



REMARQUE

- Le couplage doit être effectué dans l'application CFX 3, et non dans les paramètres de l'appareil.
- Aucun mot de passe n'est requis pour la connexion Bluetooth.

► Procédez comme indiqué (fig. 22, page 15).

7.16 Réglage du signal WiFi et connexion à l'application

La glacière peut être surveillée et pilotée via WiFi directement sur la glacière ou via un réseau WiFi.

► Procédez comme indiqué (fig. 23, page 16) pour activer le WiFi.

- Pour le WiFi direct sur la glacière, allez dans les paramètres de l'appareil et sélectionnez votre glacière.
 - Le nom WiFi de votre glacière commence par « CFX 3 ».
 - Le mot de passe réglé par défaut est « **00000000** ».
 - Vous pouvez personnaliser le nom du WiFi et le mot de passe dans l'application CFX 3.



REMARQUE

Pour la connexion par réseau WiFi, allez dans « connexion réseau » dans les PARAMÈTRES de l'application.

7.17 Changement du nom du CFX et du mot de passe dans l'application

- Vous pouvez personnaliser le nom de votre CFX dans l'application.
- Le même nom s'applique à la fois au Bluetooth et au WiFi.

- Vous pouvez également personnaliser votre mot de passe dans l'application (applicable uniquement au WiFi).
- Passez à « Nom du CFX et mot de passe » dans les PARAMÈTRES de l'application.

7.18 Réinitialisation du mot de passe de l'application (WiFi uniquement)

Vous pouvez réinitialiser le mot de passe de l'application afin de rétablir le réglage d'usine « **00000000** ».

- Procédez comme indiqué (fig. **23**, page 16).

7.19 Restauration des réglages d'usine

La fonction de réinitialisation permet de rétablir les réglages d'usine de tous les menus d'affichage et des champs de l'application.

- Procédez comme indiqué (fig. **24**, page 16).

7.20 Port USB pour l'alimentation électrique

Vous pouvez utiliser le port USB pour le chargement de petits appareils (p. ex. un téléphone mobile ou un lecteur MP3).



REMARQUE

Assurez-vous que le petit appareil branché sur le port USB est utilisable avec 5 V/2 A.

- Procédez comme indiqué (fig. **26**, page 17).

7.21 Dégivrage de la glacière

L'humidité de l'air peut se condenser sous forme de givre au niveau de l'évaporateur ou à l'intérieur de l'appareil de réfrigération. Cela diminue la puissance frigorifique. Veuillez donc à dégivrer l'appareil à temps.



AVIS ! Risque d'endommagement

N'utilisez jamais d'outils durs ou pointus pour enlever la glace ou pour décoincer les objets pris dans la glace.

Procédez de la manière suivante pour dégivrer la glacière :

- Sortez le contenu de la glacière.
- Placez les aliments éventuellement dans un autre réfrigérateur pour qu'ils restent froids.
- Éteignez l'appareil.
- Laissez le couvercle ouvert.
- Essuyez l'eau de dégivrage.

7.22 Remplacement du fusible CA



DANGER ! Risque d'électrocution

Débranchez l'alimentation électrique et le câble de raccordement avant de remplacer le fusible de l'appareil.

- Débranchez l'alimentation électrique de l'appareil.
- Débranchez le câble de raccordement.
- Retirez le porte-fusible (fig. **4** 4, page 4) en faisant p. ex. levier avec un tournevis.
- Remplacez le fusible en verre défectueux par un nouveau fusible du même type et de même caractéristique (rapide, 4 A, 250 V).
- Remplacez le porte-fusible dans le boîtier, en appuyant dessus.
- Raccordez de nouveau l'alimentation électrique de l'appareil.

7.23 Remplacement du fusible CC

- Retirez le couvercle du fusible (fig. **4** 3, page 4) en faisant p. ex. levier avec un tournevis.
- Retournez le couvercle du fusible et utilisez un crochet pour retirer le fusible enfichable défectueux.
- Insérez un nouveau fusible du même type et de même caractéristique.
- Remettez le couvercle du fusible en place.

7.24 Remplacement du fusible de la fiche CC

- Remplacez le fusible défectueux par un fusible neuf du même type et de même caractéristique.
- Procédez comme indiqué (fig. **27**, page 17).

7.25 Remplacement de la carte d'éclairage



AVIS ! Risque d'endommagement

La lampe doit uniquement être remplacée par le fabricant, un agent de service ou toute autre personne de qualification similaire afin d'éviter tout danger.

8 Nettoyage et maintenance



AVIS ! Risque d'endommagement

- Ne nettoyez jamais l'appareil de réfrigération à l'eau courante et ne le plongez pas non plus dans l'eau.
- N'utilisez ni détergents abrasifs, ni objets durs pour le nettoyage, ceux-ci pouvant endommager l'appareil de réfrigération.

- Nettoyez l'appareil à l'intérieur et à l'extérieur de temps en temps avec un chiffon humide.
- Assurez-vous que les ouvertures d'aération et de ventilation de l'appareil ne sont pas encombrées de saletés ou de poussières, pour que la chaleur générée par le fonctionnement soit évacuée et que l'appareil ne soit pas endommagé.

9 Guide de dépannage

Panne	Cause possible	Solution proposée
L'appareil ne fonctionne pas (mode CC, allumage en marche).	Aucune tension n'a été détectée dans la prise de sortie CC.	Dans la plupart des véhicules, l'allumage doit être allumé avant que l'alimentation soit fournie à la prise CC.
	La prise de courant continu est sale. Ceci entraîne un mauvais contact électrique.	Si la fiche devient très chaude lorsqu'elle est branchée dans la prise CC, c'est que la prise CC doit être nettoyée ou que la fiche n'est pas bien montée.
	Le fusible de sécurité de la fiche CC a sauté.	Remplacez le fusible de la fiche CC, voir chapitre « Remplacement du fusible CC », page 90.
	Le fusible CC de l'appareil a sauté.	Remplacez le fusible CC de l'appareil, voir chapitre « Remplacement du fusible CC », page 90.
	Le fusible du véhicule a grillé.	Remplacez le fusible de la prise CC du véhicule. Veuillez vous référer au manuel d'utilisation de votre véhicule.
L'appareil ne fonctionne pas (mode CA).	La prise de tension alternative n'est pas sous tension.	Essayez une autre prise.
	Le fusible CA de l'appareil a sauté.	Remplacez le fusible CA de l'appareil, voir chapitre « Remplacement du fusible CA », page 90.
	L'adaptateur CA intégré est défectueux.	La réparation doit être effectuée uniquement par un service après-vente agréé.
L'écran ne répond pas lors de la saisie avec les touches.	L'écran est verrouillé.	Déverrouillez l'écran, voir chapitre « Verrouillage/déverrouillage de l'écran », page 84.
L'application ne peut pas piloter l'appareil.	Aucune connexion Bluetooth ou WiFi n'est établie.	Établir une connexion Bluetooth, voir chapitre « Réglage du signal Bluetooth et connexion à l'application », page 88, ou WiFi, voir chapitre « Réglage du signal WiFi et connexion à l'application », page 88.
L'écran affiche un message d'alerte ou un code d'avertissement.	–	Voir le tableau ci-dessous.

Messages d'alerte

Par exemple, voir fig. 25 A, page 16.

Message d'alerte	Description	Cause possible	Solution proposée
!ALERTE - Couverture ouverte > 3 min	Couvercle ouvert plus de 3 minutes	<ul style="list-style-type: none"> Couvercle pas complètement verrouillé Panne interne 	<ul style="list-style-type: none"> Vérifiez que le couvercle est bien verrouillé Inspection par un service après-vente agréé requise
!ALERTE - Tension basse	L'appareil a cessé de fonctionner en courant continu car la tension est trop basse	<ul style="list-style-type: none"> Tension d'alimentation insuffisante Tension de batterie trop faible Le réglage de la protection de batterie est trop élevé 	<ul style="list-style-type: none"> Vérifiez la chute de tension de la batterie à la prise de courant et augmentez l'épaisseur des câbles si nécessaire Contrôlez la batterie et chargez-la si nécessaire Sélectionnez un réglage de protection de batterie plus faible.
	L'appareil a cessé de fonctionner en courant continu car la tension est anormalement élevée >31,5 V (peu probable – uniquement à titre de protection des systèmes électroniques – message d'alerte identique à celui destiné à la tension trop basse ci-dessus)	<ul style="list-style-type: none"> Spécification de tension d'alimentation CC incorrecte Alimentation défectueuse Panne interne 	<ul style="list-style-type: none"> Vérifiez que la tension d'alimentation en courant continu correspond à l'étiquette des valeurs nominales du produit CFX3 Vérifiez la tension d'alimentation en courant continu et réparez ou remplacez en cas de défaut Inspection par un service après-vente agréé requise

Codes d'avertissement

Par exemple, voir fig. 25 B, page 16.

Code d'avertissement	Panne	Cause possible	Solution proposée
!AVERTISSEMENT 32	Surintensité du ventilateur	Panne interne.	Éteignez l'appareil pendant au moins 5 minutes, puis redémarrez. Si le problème persiste, une inspection par un service après-vente agréé est nécessaire
!AVERTISSEMENT 33	Échec du démarrage du compresseur		
!AVERTISSEMENT 34	Vitesse du compresseur basse	<ul style="list-style-type: none"> • Température ambiante élevée 	<ul style="list-style-type: none"> • Éteignez l'appareil pendant au moins 30 minutes, ou déplacez-le vers un endroit plus frais, puis redémarrez
!AVERTISSEMENT 35	Surchauffe du contrôleur	<ul style="list-style-type: none"> • Ouverture d'aération bloquée ou espace insuffisant • Panne interne 	<ul style="list-style-type: none"> • Dégagez les ouvertures • Inspection par un service après-vente agréé requise
!AVERTISSEMENT 01	NTC circuit ouvert SZ & DZ GRAND	Panne interne	Inspection par un service après-vente agréé requise
!AVERTISSEMENT 11	NTC circuit ouvert DZ PETIT		
!AVERTISSEMENT 02	NTC court-circuit SZ & DZ GRAND		
!AVERTISSEMENT 12	NTC court-circuit DZ PETIT		
!AVERTISSEMENT 09	Vanne DZ ou vanne de la machine à glaçons défectueuse		Éteignez l'appareil pendant au moins 1 minute, puis redémarrez. Si le problème persiste, une inspection par un service après-vente agréé est nécessaire
!AVERTISSEMENT 03/43	Erreur de communication		

10 Garantie

La période de garantie légale s'applique. Si le produit est défectueux, veuillez contacter votre revendeur ou la filiale locale du fabricant (voir dometic.com/dealer).

Pour toutes réparations ou autres prestations de garantie, veuillez joindre au produit les documents suivants :

- une copie de la facture avec la date d'achat
- un motif de réclamation ou une description du dysfonctionnement

11 Mise au rebut



AVERTISSEMENT ! Risque de coincement des enfants

Avant de mettre au rebut votre ancien appareil de réfrigération :

- Démontez le couvercle.
- Laissez les paniers en place afin que les enfants ne puissent pas entrer facilement dans l'appareil.

Recyclage des emballages



- Dans la mesure du possible, jetez les emballages dans les conteneurs de déchets recyclables prévus à cet effet.

Recyclage des produits contenant des piles non remplaçables, des batteries ou des sources lumineuses rechargeables



- Si le produit contient des piles non remplaçables, des batteries ou des sources lumineuses rechargeables, vous n'avez pas besoin de les retirer avant de les mettre au rebut.



- Si vous souhaitez mettre le produit au rebut, contactez le centre de recyclage le plus proche ou votre revendeur spécialisé afin d'être informé des réglementations liées au traitement des déchets.
- Le produit peut être mis au rebut gratuitement.

12 Caractéristiques techniques



REMARQUE

La température minimale indiquée dans la section « Capacité de refroidissement » ne peut pas être atteinte si la température ambiante est supérieure à 32 °C (90 °F) pour les modèles CFX3 25/35/45/55/55IM/100 ou si la température ambiante est supérieure à 30 °C (86 °F) pour les modèles CFX3 75DZ/95DZ (température minimale -22 °C/maximale +4 °C).

Contrôle/certificats :



	CFX3 25	CFX3 35
Tension de raccordement :	12/24 V \equiv 100-240 V \sim	
Courant nominal :	12 V \equiv : 6,5 A 24 V \equiv : 3,2 A 100 V \sim : 0,90 A 240 V \sim : 0,38 A	12 V \equiv : 7,5 A 24 V \equiv : 3,3 A 100 V \sim : 0,94 A 240 V \sim : 0,39 A
Puissance frigorifique :	+20 °C à -22 °C (+68 °F à -8 °F)	
Classe climatique :	N, T	
Température ambiante :	+16 °C à +43 °C (+61 °F à +110 °F)	
Port de chargement USB :	5 V \equiv , 2 A	
Gamme de fréquence :	WiFi : 2412 MHz – 2472 MHz / 2422 MHz – 2462 MHz Bluetooth/BLE : 2402 MHz – 2480 MHz	
Bande de fréquences (WiFi) :	2,4 GHz	
Puissance de sortie RF :	WiFi : 16,62 dBm (802.11b), 16,23 dBm (802.11g), 16,45 dBm (802.11n20), 16,02 dBm (802.11n40) Bluetooth : 8,31 dBm Bluetooth LE : 6,67 dBm	
Quantité de réfrigérant :	32 g	38 g
Équivalent CO ₂ :	0,046 t	0,054 t
Potentiel d'effet de serre (GWP) :	1430	
Dimensions (L x p x h) en mm (poignées comprises) :	342 x 569 x 420	398 x 694 x 407
Poids :	12,7 kg	16,9 kg

	CFX 3 45	CFX 3 55
Tension de raccordement :	12/24 V \equiv 100-240 V \sim	
Courant nominal :	12 V \equiv : 8,2 A 24 V \equiv : 3,5 A 100 V \sim : 0,96 A 240 V \sim : 0,40 A	12 V \equiv : 8,7 A 24 V \equiv : 3,7 A 100 V \sim : 0,98 A 240 V \sim : 0,41 A
Puissance frigorifique :	+20 °C à -22 °C (+68 °F à -8 °F)	
Classe climatique :	N, T	
Température ambiante :	+16 °C à +43 °C (+61 °F à +110 °F)	
Port de chargement USB :	5 V \equiv , 2 A	
Gamme de fréquence :	WiFi : 2412 MHz – 2472 MHz / 2422 MHz – 2462 MHz Bluetooth/BLE : 2402 MHz – 2480 MHz	
Bande de fréquences (WiFi) :	2,4 GHz	
Puissance de sortie RF :	WiFi : 16,62 dBm (802.11b), 16,23 dBm (802.11g), 16,45 dBm (802.11n20), 16,02 dBm (802.11n40) Bluetooth : 8,31 dBm Bluetooth LE : 6,67 dBm	
Quantité de réfrigérant :	42 g	45 g
Équivalent CO ₂ :	0,060 t	0,064 t
Potentiel d'effet de serre (GWP) :	1430	
Dimensions (L x p x h) en mm (poignées comprises) :	398 x 694 x 476	720 x 455 x 480
Poids :	18,7 kg	20,4 kg

	CFX3 55IM	CFX3 75DZ	CFX3 95DZ
Tension de raccordement :	12/24 V \equiv 100-240 V \sim		
Courant nominal :	12 V \equiv : 8,9 A 24 V \equiv : 3,8 A 100 V \sim : 1,00 A 240 V \sim : 0,42 A	12 V \equiv : 9,6 A 24 V \equiv : 4,2 A 100 V \sim : 1,12 A 240 V \sim : 0,47 A	12 V \equiv : 10,4 A 24 V \equiv : 4,6 A 100 V \sim : 1,22 A 240 V \sim : 0,51 A
Puissance frigorifique :	+20 °C à -22 °C (+68 °F à -8 °F)		
Classe climatique :	N, T		
Température ambiante :	+16 °C à +43 °C (+61 °F à +110 °F)		
Port de chargement USB :	5 V \equiv , 2 A		
Gamme de fréquence :	WiFi : 2412 MHz – 2472 MHz / 2422 MHz – 2462 MHz Bluetooth/BLE : 2402 MHz – 2480 MHz		
Bande de fréquences (WiFi) :	2,4 GHz		
Puissance de sortie RF :	WiFi : 16,62 dBm (802.11b), 16,23 dBm (802.11g), 16,45 dBm (802.11n20), 16,02 dBm (802.11n40) Bluetooth : 8,31 dBm Bluetooth LE : 6,67 dBm		
Quantité de réfrigérant :	45 g	59 g	67 g
Équivalent CO ₂ :	0,064 t	0,084 t	0,096 t
Potentiel d'effet de serre (GWP) :	1430		
Dimensions (L x p x h) en mm (poignées comprises) :	720 x 455 x 480	892 x 495 x 472	962 x 530 x 472
Poids :	21,3 kg	27,8 kg	29,8 kg

	CFX3 100
Tension de raccordement :	12/24 V \equiv 100–240 V \sim
Courant nominal :	12 V \equiv : 10,8 A 24 V \equiv : 4,8 A 100 V \sim : 1,28 A 240 V : 0,53 A
Puissance frigorifique :	+20 °C à –22 °C (+68 °F à –8 °F)
Classe climatique :	N, T
Température ambiante :	+16 °C à +43 °C (+61 °F à +110 °F)
USB :	5 V \equiv , 2 A
Gamme de fréquence :	WiFi : 2412 MHz – 2472 MHz / 2422 MHz – 2462 MHz Bluetooth/BLE : 2402 MHz – 2480 MHz
Bande de fréquences (WiFi) :	2,4 GHz
Puissance de sortie RF :	WiFi : 16,62 dBm (802.11b), 16,23 dBm (802.11g), 16,45 dBm (802.11n20), 16,02 dBm (802.11n40) Bluetooth : 8,31 dBm Bluetooth LE : 6,67 dBm
Quantité de réfrigérant :	60 g
Équivalent CO ₂ :	0,086 t
Potentiel d'effet de serre (GWP) :	1430
Dimensions (L x p x h) en mm (poignées comprises) :	962 x 530 x 472
Poids :	29,6 kg

Le circuit frigorifique contient du R134a.

Ce produit contient des gaz à effet de serre fluorés.

L'unité de refroidissement est hermétiquement fermée.

Les équipements radio Dometic CFX3 25 à CFX3 100 sont conformes aux réglementations de la directive 2014/53/UE. Vous trouverez la déclaration de conformité de votre appareil sur documents.dometic.com.

Lea atentamente estas instrucciones y siga las indicaciones, directrices y advertencias incluidas en este manual para asegurarse de que instala, usa y mantiene correctamente el producto en todo momento. Estas instrucciones DEBEN permanecer con este producto.

Al usar el producto, usted confirma que ha leído cuidadosamente todas las instrucciones, directrices y advertencias, y que entiende y acepta cumplir los términos y condiciones aquí establecidos. Usted se compromete a usar este producto solo para el propósito y la aplicación previstos y de acuerdo con las instrucciones, directrices y advertencias establecidas en este manual del producto, así como de acuerdo con todas las leyes y reglamentos aplicables. La no lectura e incumplimiento de las instrucciones y advertencias aquí expuestas puede causar lesiones a usted o a terceros, daños en el producto o daños en otras propiedades cercanas. Este manual del producto, incluyendo las instrucciones, directrices y advertencias, y la documentación relacionada, pueden estar sujetos a cambios y actualizaciones. Para obtener información actualizada sobre el producto, visite la página documents.dometic.com, dometic.com.

Índice

1	Explicación de los símbolos	102
2	Indicaciones de seguridad	103
3	Volumen de entrega	106
4	Accesorios	106
5	Uso previsto	107
6	Descripción del funcionamiento	108
6.1	Volumen de funciones	108
6.2	Elementos de mando y de indicación	109
7	Manejo	110
7.1	Antes del primer uso	110
7.2	Ahorro de energía	110
7.3	Inversión del sentido de apertura de la tapa	111
7.4	Conexión de la nevera	111
7.5	Uso de la nevera	112
7.6	Uso de la pantalla	112
7.7	Bloqueo/desbloqueo de la pantalla	113
7.8	Selección de las unidades de temperatura	113
7.9	Ajuste de la temperatura	113
7.10	Uso del protector de batería	113
7.11	Ajuste del brillo de la pantalla	114
7.12	Encender o apagar los compartimentos . . . (solo CFX3 75DZ, CFX3 95DZ)	114
7.13	Uso de la máquina de hielo (solo CFX3 55IM)	114
7.14	Descarga de la app CFX3	116
7.15	Ajuste de la señal Bluetooth y conexión a la app	116
7.16	Ajuste de la señal WiFi y conexión a la app	116
7.17	Cambio del nombre CFX y la contraseña en la app	117
7.18	Restablecimiento de la contraseña de la app (solo WiFi)	117

7.19	Restablecimiento de los ajustes de fábrica	117
7.20	Puerto USB para alimentación de tensión	117
7.21	Descongelación de la nevera	118
7.22	Cambio del fusible de corriente alterna	118
7.23	Cambio del fusible de corriente continua	118
7.24	Cambio del fusible de la clavija de corriente continua	119
7.25	Cambio de circuito impreso de luces	119
8	Limpieza y mantenimiento	119
9	Resolución de problemas	120
10	Garantía	124
11	Gestión de residuos	124
12	Datos técnicos	125

1 Explicación de los símbolos



¡PELIGRO!

Información de seguridad: Indica una situación peligrosa que, de no evitarse, ocasionará la muerte o lesiones graves.



¡ADVERTENCIA!

Información de seguridad: Indica una situación peligrosa que, de no evitarse, puede ocasionar la muerte o lesiones graves.



¡ATENCIÓN!

Información de seguridad: Indica una situación peligrosa que, de no evitarse, puede ocasionar lesiones moderadas o leves.



¡AVISO!

Indica una situación peligrosa que, de no evitarse, puede provocar daños materiales.



NOTA

Información adicional para el manejo del producto.

2 Indicaciones de seguridad



¡PELIGRO! El incumplimiento de estas advertencias puede acarrear la muerte o lesiones graves.

Riesgo de electrocución

- En embarcaciones: en caso de funcionamiento conectado a la red eléctrica, asegúrese de que el suministro de corriente esté protegido con un interruptor diferencial.
- No toque los cables sin aislamiento directamente con las manos. Esto rige especialmente en caso de funcionamiento con la red de corriente alterna.
- Antes de la puesta en funcionamiento, asegúrese de que el cable de alimentación y la clavija de enchufe estén secos.



¡ADVERTENCIA! El incumplimiento de estas advertencias podría acarrear la muerte o lesiones graves.

Riesgo de electrocución

- No ponga el aparato de refrigeración en funcionamiento si presenta desperfectos visibles.
- Si el cable de alimentación de este aparato de refrigeración está dañado, se deberá sustituir para evitar riesgos de seguridad.
- Este aparato de refrigeración solo debe ser reparado por personal cualificado. Las reparaciones inadecuadas pueden conllevar peligros considerables.
- Enchufe el aparato en tomas que garanticen una conexión correcta, sobre todo cuando sea necesario poner a tierra el aparato.

Peligro de incendio

- Al colocar el aparato, asegúrese de que el cable de suministro eléctrico no se haya quedado atrapado o esté dañado.
- No coloque varias tomas o suministros de corriente portátiles detrás del aparato.
- Mantenga libres de obstáculos las aberturas de ventilación de la carcasa del aparato o de construcciones empotradas.
- No emplee objetos mecánicos u otros medios para acelerar el proceso de descongelación, a no ser que el fabricante lo recomiende.
- No dañe el circuito de frío.

Riesgo para la salud

- Este aparato puede ser utilizado por menores a partir de 8 años y personas con capacidad física, sensorial o mental reducida, o con falta de experiencia y conocimientos, siempre que lo hagan bajo supervisión o hayan recibido instrucciones relativas al uso del mismo de manera segura y entendiendo los riesgos asociados.
- No deje que los niños jueguen con el aparato.
- Los menores no deberán limpiar ni realizar el mantenimiento de usuario sin la debida supervisión.
- Los menores de 3 a 8 años están autorizados a introducir y extraer productos en/de neveras.

Peligro de explosión

- No guarde en el aparato de refrigeración sustancias con peligro de explosión, tales como aerosoles con agente espumante inflamable.



¡ATENCIÓN! El incumplimiento de estas precauciones podría acarrear lesiones moderadas o leves.

Riesgo de electrocución

- Desconecte el aparato de refrigeración de la alimentación de corriente
 - antes de realizar cualquier tarea de limpieza o mantenimiento
 - después de cada uso

Riesgo para la salud

Siga las siguientes instrucciones para evitar que los alimentos se contaminen:

- Compruebe si la potencia de refrigeración del aparato cumple los requisitos de los alimentos o medicamentos que desea enfriar.
- Los alimentos solo se pueden almacenar con su envase original o en recipientes adecuados.
- Mantener la nevera abierta durante largos períodos de tiempo puede producir un incremento considerable de la temperatura en los compartimentos del aparato.
- Limpie periódicamente las superficies que puedan estar en contacto con alimentos y los sistemas de desagüe accesibles.

- Si el aparato se deja vacío durante un tiempo prolongado:
 - Desconecte el aparato.
 - Descongele el aparato.
 - Limpie y seque el aparato.
 - Deje la tapa abierta para evitar la generación de moho dentro del aparato.



¡AVISO! Peligro de daños

- Compruebe que el valor de tensión indicado en la etiqueta de tipo se corresponde con el del suministro de energía.
- Conecte el aparato de refrigeración solo del siguiente modo:
 - Con el cable de conexión de corriente continua a la red de corriente continua
 - O bien con el cable de conexión de corriente alterna a una red de corriente alterna
- No desenchufe nunca la clavija de la caja de enchufe tirando del cable.
- Si la nevera está conectada a una toma de corriente continua, desconéctela de la batería junto con el resto de aparatos conectados antes de conectar un cargador rápido.
- Si la nevera está conectada a una toma de corriente continua, desconéctela o apáguela cuando pare el motor. De lo contrario, podría descargarse la batería del vehículo.
- El aparato de refrigeración no es adecuado para transportar materiales cáusticos o materiales que contengan disolventes.
- El aislamiento de la nevera contiene ciclopentano y requiere una gestión de residuos especial. Deposite el aparato de refrigeración en un centro de reciclaje adecuado al finalizar su vida útil.
- No utilice ningún aparato eléctrico dentro del aparato de refrigeración, a no ser que el aparato en cuestión haya sido recomendado para ello por el fabricante.
- No coloque el aparato de refrigeración cerca de fuego abierto ni de otras fuentes de calor (calefacción, radiación solar directa, estufas de gas, etc.).

- **¡Riesgo de sobrecalentamiento!**
Asegúrese de que siempre haya un mínimo de 50 mm de ventilación en los cuatro lados del aparato de refrigeración. Mantenga la zona de ventilación libre de objetos que puedan impedir el paso de aire a los componentes refrigerantes.
No coloque el aparato de refrigeración en compartimentos cerrados o en áreas donde no haya un flujo mínimo de aire.
- Evite que se obstruyan las aberturas de ventilación.
- No introduzca líquidos ni hielo en el recipiente interior.
- No sumerja nunca el aparato de refrigeración bajo el agua.
- Proteja el aparato de refrigeración y los cables contra el calor y la humedad.
- El aparato no debe quedar en modo alguno expuesto a la lluvia.

3 Volumen de entrega

Elemento en la fig. 1, página 3	Cantidad	Descripción
1	1	Nevera
2	1	Cable de conexión para la conexión de corriente continua
3	1	Cable de conexión para la conexión de corriente alterna

4 Accesorios

Disponible como accesorio (no incluido en el volumen de entrega):

Denominación	N.º de art.	Modelo
Cubierta de protección		
CFX3 25PC	9600028749	CFX3 25
CFX3 35PC	9600028455	CFX3 35
CFX3 45PC	9600028456	CFX3 45
CFX3 55PC	9600028457	CFX3 55
		CFX3 55IM

Denominación	N.º de art.	Modelo
CFX3 75PC	9600028458	CFX3 75DZ
CFX3 95PC	9600028459	CFX3 95DZ
CFX3 100PC	9600028460	CFX3 100
Riel deslizante para nevera		
CFX3 SLD3545	9600028548	CFX3 35 CFX3 45
CFX3 SLD55	9600028549	CFX3 55 CFX3 55IM
CFX3 SLD75	9600028550	CFX3 75DZ
CFX3 SLD95100	9600028551	CFX3 95DZ CFX3 100
App CFX3	–	Apto para todos los modelos
PLB40	9600012878	Apto para todos los modelos

Tenga en cuenta que la app CFX3 puede que no esté disponible en su país.

5 Uso previsto

Esta nevera es adecuada para enfriar alimentos. También es apta para su utilización en vehículos. La nevera está diseñada para funcionar conectada a un enchufe de corriente continua de un vehículo o a una red de corriente alterna.

La nevera también es adecuada para utilizar en campings.

La nevera está diseñada para el uso doméstico y aplicaciones similares, como por ejemplo:

- áreas de cocina del personal en tiendas, oficinas y otros entornos de trabajo
- casas rurales
- clientes de hoteles, moteles y otros entornos de tipo residencial
- ambientes de tipo “bed and breakfast”
- catering y usos no minoristas

La nevera **no** es adecuada para:

- guardar sustancias corrosivas o que contengan disolventes

Esta nevera solo es apta para el uso previsto y la aplicación de acuerdo con estas instrucciones.

Este manual proporciona la información necesaria para la correcta instalación y/o funcionamiento de la nevera. Una instalación deficiente y/o un uso y mantenimiento inadecuados conllevan un rendimiento insatisfactorio y posibles fallos.

El fabricante no se hace responsable de ninguna lesión o daño en el producto ocasionados por:

- Un montaje o conexión incorrectos, incluido un exceso de tensión
- Un mantenimiento incorrecto o el uso de piezas de repuesto distintas de las originales proporcionadas por el fabricante
- Modificaciones realizadas en el producto sin el expreso consentimiento del fabricante
- Uso con una finalidad distinta de la descrita en las instrucciones

Dometic se reserva el derecho de cambiar la apariencia y las especificaciones del producto.

6 Descripción del funcionamiento

La refrigeración se realiza a través de un circuito de refrigeración de bajo mantenimiento con compresor. El amplio aislamiento y el potente compresor aseguran una refrigeración eficiente y rápida.

La nevera está prevista para un uso portátil.

La nevera resiste brevemente un ángulo de inclinación de 30°.

6.1 Volumen de funciones

- Fuente de alimentación con conexión de prioridad al suministro de corriente alterna
- Protector de batería de tres niveles para la batería del vehículo
- Pantalla con sensor de temperatura en °C y °F
- Ajuste de temperatura en pasos de 1 °C (1 °F)
- Función WiFi y Bluetooth integradas y, por tanto, controlable con app
- Asas de transporte abatibles

- Cargador USB para aparatos portátiles como teléfonos móviles
- Cesta interior extraíble
- **Solo en CFX3 55IM:** Máquina de hielo

6.2 Elementos de mando y de indicación

Enclavamiento de la tapa: fig. 2 1, página 3

Panel de control (fig. 3, página 4):

Elemento	Descripción	Explicación
1		<p>Presionando brevemente este pulsador se enciende la nevera</p> <p>Presionando durante tres segundos este pulsador se apaga la nevera</p> <p>Vuelve al menú anterior</p>
2	Pantalla	<p>Muestra la información</p> <p>AC : está conectada la red de corriente alterna</p> <p>DCV: está conectada la red de corriente continua</p> <p> : está activada la función Bluetooth</p> <p> : está activada la función WiFi</p> <p> : la pantalla está bloqueada</p> <p>● : el compresor está funcionando</p> <p>■ : La máquina de hielo está funcionando (solo CFX3 55IM)</p>
3		<p>Pulse  para navegar hacia arriba o para aumentar el valor seleccionado.</p> <p>Pulse  para navegar hacia abajo o para disminuir el valor seleccionado.</p> <p>Pulse  y  simultáneamente durante 3 s para bloquear o desbloquear la pantalla.</p>
4		<p>Pulse para seleccionar un menú o para guardar el valor seleccionado.</p>

Conexiones de enchufe (fig. 4, página 4):

Elemento	Descripción
1	Conexión de enchufe para la alimentación de tensión alterna
2	Conexión de enchufe para la alimentación de tensión continua
3	Portafusibles de corriente continua
4	Portafusibles de corriente alterna

7 Manejo

Tenga en cuenta lo siguiente para no desperdiciar alimentos:

- Procure que las oscilaciones de temperatura sean mínimas. Abra la nevera solamente el tiempo y las veces que sea necesario. Almacene los alimentos de manera que no impidan una buena circulación del aire.
- Ajuste la temperatura a la cantidad y el tipo de alimentos.
- Los alimentos pueden absorber o desprender sabores y olores con facilidad. Almacene siempre los alimentos envueltos o cerrados en recipientes o botellas.

7.1 Antes del primer uso

**NOTA**

Por razones de higiene, deberá limpiar la nevera por dentro y por fuera con un paño húmedo antes de ponerla en funcionamiento (véase también capítulo “Limpieza y mantenimiento” en la página 119).

7.2 Ahorro de energía

- Elija un lugar de emplazamiento bien ventilado y protegido de la radiación solar.
- Antes de introducir alimentos calientes en el aparato para refrigerarlos, deje que se enfríen un poco.
- No abra la nevera con mayor frecuencia de la necesaria.
- No deje la nevera abierta más tiempo del necesario.
- Si la nevera tiene una cesta: para un consumo de energía óptimo, coloque la cesta en la misma posición que ocupa en el momento de la entrega.
- Compruebe periódicamente que la junta de la tapa encaja correctamente.

7.3 Inversión del sentido de apertura de la tapa

CFX3 55, CFX3 55IM, CFX3 100

- Proceda de la forma indicada (fig. **5**, página 5).

CFX3 75DZ, CFX3 95DZ

- Proceda de la forma indicada (fig. **6**, página 6).

7.4 Conexión de la nevera



¡AVISO! Peligro de daños

- Para proteger el aparato, el cable de corriente continua suministrado incluye un fusible dentro de la clavija. **No** retire la clavija de corriente continua con fusible.
Utilice únicamente el cable de corriente continua suministrado.
- Antes de conectar la batería a un cargador rápido, desconecte la nevera y otros consumidores.
La sobretensión puede dañar el sistema electrónico del aparato.

Conexión a una batería

- Proceda de la forma indicada (fig. **7**, página 7).

Conexión mediante cableado CC ampliado (solo CFX3 100)

- Proceda de la forma indicada (fig. **8**, página 8).

Conexión a una red de corriente alterna



¡PELIGRO! Riesgo de electrocución

- No manipule los enchufes ni interruptores con las manos mojadas ni con los pies sobre una superficie mojada.
- Si la nevera funciona en una embarcación conectada a una red de corriente alterna, deberá conectar un interruptor diferencial entre la red de corriente alterna y la nevera.
Consulte con un especialista.

- Proceda de la forma indicada (fig. **9**, página 9).

7.5 Uso de la nevera



¡AVISO! Riesgo de sobrecalentamiento

Asegúrese de que en todo momento exista suficiente ventilación para que el calor originado durante el uso se pueda disipar. Evite que se obstruyan las ranuras de ventilación. Asegúrese también de que el aparato guarde la suficiente distancia respecto a paredes u objetos, de forma que el aire pueda circular.



NOTA

Cuando funciona con la batería, la pantalla se desconecta de forma automática si la tensión es baja.

- Encender la nevera: fig. **10**, página 9
- Apagar la nevera: fig. **11**, página 10

7.6 Uso de la pantalla

Visualización de estados (fig. **12**, página 10)

Elemento	Descripción
A	Stand-by
B	Inactivo
C	Bloqueado

Vista general de la pantalla: fig. **13**, página 11

Navegación por los menús

Está seleccionado el menú marcado.

- ▶ Pulse  para navegar hacia arriba.
- ▶ Pulse  para navegar hacia abajo.

Elección de menú

- ▶ Pulse  para seleccionar el menú deseado.

Cambio de ajustes

Está seleccionado el valor o ajuste marcado.

- ▶ Pulse  para aumentar el valor seleccionado o para elegir el ajuste anterior.
- ▶ Pulse  para disminuir el valor seleccionado o para elegir el siguiente ajuste.

Vuelta al menú anterior

- ▶ Pulse  para volver al menú anterior sin guardar.

7.7 Bloqueo/desbloqueo de la pantalla

- ▶ Pulse  y  simultáneamente durante 3 s para bloquear o desbloquear la pantalla (fig. **14**, página 11).

7.8 Selección de las unidades de temperatura

- ▶ Proceda de la forma indicada (fig. **15**, página 11).

7.9 Ajuste de la temperatura



¡AVISO! Peligro de daños por temperatura excesivamente baja

Asegúrese de que en la nevera solo haya objetos o productos que puedan enfriarse a la temperatura ajustada.

- ▶ Proceda de la forma indicada (fig. **16**, página 12).

7.10 Uso del protector de batería

El aparato está equipado con un protector de batería de 3 niveles. El protector de batería evita una descarga excesiva cuando el aparato está conectado a la batería de arranque de un vehículo o maximiza el uso de una batería de alimentación.

En caso de poner la nevera en funcionamiento en el vehículo con el encendido apagado, ésta se desconectará automáticamente en cuanto la tensión de alimentación descienda por debajo de un nivel definido. La nevera vuelve a conectarse tan pronto como se cargue la batería y se alcance la tensión de alimentación de reconexión.



¡AVISO! Peligro de daños

El protector de batería desconecta la batería para que no se cargue por completo. Evite arrancar repetidamente. Asegúrese de que la batería está recargada.

**NOTA**

Si la alimentación eléctrica de la nevera se realiza a través de una batería de arranque, seleccione el modo de protección de batería "MEDIUM" o "HIGH". Si la nevera está conectada a una batería de alimentación, el modo de protección de batería "LOW" es el idóneo.

- ▶ Proceda de la forma indicada (fig. **17**, página 13).

7.11 Ajuste del brillo de la pantalla

- ▶ Proceda de la forma indicada (fig. **18**, página 13).

7.12 Encender o apagar los compartimentos(solo CFX 3 75DZ, CFX 3 95DZ)

Puede activar cada zona por separado o conjuntamente.

- ▶ Proceda de la forma indicada (fig. **19**, página 14).

7.13 Uso de la máquina de hielo (solo CFX 3 55IM)

**NOTA**

- Independientemente del ajuste de temperatura del compartimento principal, la zona de la máquina de hielo está diseñada para producir cubitos de hielo cuando dicha máquina está encendida.
- El consumo de energía de la nevera aumenta si la máquina de hielo está encendida. Por ello conviene apagar la máquina de hielo cuando no se necesite.
- La máquina de hielo viene de fábrica ajustada a OFF.

- ▶ Proceda de la forma indicada (fig. **20**, página 14).

Llenado de agua de las bandejas de hielo

- ▶ Extraiga las bandejas de hielo (fig. **21** 1, página 15) de la carcasa de la máquina de hielo (fig. **21** 2, página 15).
- ▶ Retire las tapas de la bandeja de hielo, rellene agua limpia y vuelva a colocar las tapas prestando atención a presionar la junta a lo largo de todo el reborde.
- ▶ Vuelva a colocar las bandejas de hielo en la carcasa de la máquina de hielo y cierre la tapa.

**NOTA**

Seque toda el agua que se haya podido derramar por debajo de las bandejas de hielo.

Con ello se reducirá la formación de hielo debajo de las bandejas y se facilitará la retirada.

Retirada de los cubitos de hielo

- ▶ Abra la tapa de la carcasa de la máquina de hielo y levántela por debajo de la parte delantera de las bandejas de hielo.

**NOTA**

La retirada puede requerir aplicar una fuerza adicional utilizando las dos manos en condiciones de elevada humedad, lo que puede crear una unión de hielo debajo de las bandejas de hielo.

- ▶ Retire las tapas de la bandeja de hielo y gire las bandejas para liberar los cubitos de hielo.

Retirada de la carcasa de la máquina de hielo

La carcasa de la máquina de hielo se puede extraer para su limpieza o cuando no se utiliza para así aumentar el espacio útil dentro de la nevera:

- ▶ Levante la carcasa por un extremo hasta que la lengüeta se desbloquee y seguidamente extraiga la carcasa.
- ▶ Para volver a colocarla, proceda a la inversa empujando hacia abajo las lengüetas de modo que quede encajada en su posición.

Consejos para el uso de la máquina de hielo

- Cuando se enciende, la máquina de hielo produce rápidamente hielo durante varias horas y, a continuación, pasa automáticamente a un modo de mantenimiento de hielo para reducir el consumo de energía. Si se necesitan varios lotes de hielo lo antes posible, apagando y volviendo a encender la máquina de hielo se pondrá nuevamente en marcha el modo de fabricación rápida de hielo. Repita este proceso según sea necesario.
- Cuando la máquina de hielo está encendida no es posible mantener los ajustes de baja temperatura del congelador en el compartimento principal si la temperatura ambiente es elevada.

Limpieza y secado de la máquina de hielo

- ▶ Cuando no se utilicen, limpie y seque las bandejas de hielo y el interior de la carcasa de la máquina de hielo para evitar la formación de moho.
- ▶ Antes de volver a utilizar la máquina de hielo tras un largo periodo sin uso, limpie el interior de las bandejas de hielo con una solución de detergente suave para vajillas y enjuague con agua limpia.

7.14 Descarga de la app CFX3

El refrigerador se puede monitorear y controlar a través de Bluetooth o WiFi con una aplicación que se puede instalar en un dispositivo compatible.

- ▶ Descargue la app CFX3 desde App Store o Google Play:



Tenga en cuenta que la app CFX3 puede que no esté disponible en su país.

7.15 Ajuste de la señal Bluetooth y conexión a la app

La nevera se puede monitorear y controlar a través de Bluetooth. Para ello hay que emparejar la nevera con el dispositivo Bluetooth.



NOTA

- El emparejamiento debe realizarse en la app CFX3 y no en la configuración del dispositivo.
- No se requiere ninguna contraseña para la conexión Bluetooth.

- ▶ Proceda de la forma indicada (fig. 22, página 15).

7.16 Ajuste de la señal WiFi y conexión a la app

El refrigerador se puede monitorear y controlar vía WiFi directo a la nevera o a través de una red WiFi.

- ▶ Proceda de la forma indicada (fig. 23, página 16) para activar el WiFi.

- ▶ Para WiFi directo a la nevera, vaya a la configuración del dispositivo y seleccione allí su nevera.
 - El nombre WiFi de su nevera comienza con “CFX3”.
 - La contraseña preajustada de fábrica es “00000000”.
 - Puede personalizar el nombre WiFi y la contraseña en la app CFX3.

**NOTA**

Para la conexión a través de la red WiFi, vaya a “conexión de red” en la CONFIGURACIÓN de la app.

7.17 Cambio del nombre CFX y la contraseña en la app

- Puede personalizar el nombre de su CFX en la app.
 - El mismo nombre se aplica tanto a Bluetooth como a WiFi.
 - También se puede personalizar la contraseña en la app (aplicable solo a WiFi).
- ▶ Vaya a “Nombre CFX y contraseña” en la CONFIGURACIÓN de la app.

7.18 Restablecimiento de la contraseña de la app (solo WiFi)

La contraseña de la app se puede restablecer al ajuste de fábrica “00000000”.

- ▶ Proceda de la forma indicada (fig. 23, página 16).

7.19 Restablecimiento de los ajustes de fábrica

La función de restablecimiento restablece los ajustes originales de fábrica de todos los campos de visualización de menú y campos de app.

- ▶ Proceda de la forma indicada (fig. 24, página 16).

7.20 Puerto USB para alimentación de tensión

El puerto USB permite cargar dispositivos pequeños como teléfonos móviles y reproductores de mp3.

**NOTA**

Asegúrese de que el dispositivo pequeño que enchufe a la conexión USB sea adecuado para el funcionamiento con 5 V/2 A.

- ▶ Proceda de la forma indicada (fig. 26, página 17).

7.21 Descongelación de la nevera

La humedad del aire puede formar escarcha en el interior de la nevera o en el evaporador. Esto reduce la potencia de refrigeración. Descongele a tiempo el aparato.



¡AVISO! Peligro de daños

No utilice nunca herramientas de material duro o afiladas para quitar el hielo o soltar objetos que se hayan congelado en su ubicación.

Para descongelar la nevera, proceda como se indica a continuación:

- ▶ Retire el contenido de la nevera.
- ▶ En caso necesario, colóquelo en otro aparato refrigerador para mantenerlos refrigerados.
- ▶ Desconecte el aparato.
- ▶ Deje la tapa abierta.
- ▶ Elimine con un paño el agua descongelada.

7.22 Cambio del fusible de corriente alterna



¡PELIGRO! Riesgo de electrocución

Desconecte el suministro eléctrico y el cable de conexión antes de sustituir el fusible del aparato.

- ▶ Desconecte la alimentación de corriente del aparato.
- ▶ Desenchufe el cable de conexión.
- ▶ Quite el juego de fusibles (fig. 4 4, página 4) con un destornillador.
- ▶ Cambie el fusible de vidrio averiado por otro nuevo del mismo tipo y capacidad (de acción rápida Fast Acting 4 A, 250 V).
- ▶ Vuelva a presionar el juego de fusibles en la carcasa.
- ▶ Vuelva a conectar la alimentación de corriente del aparato.

7.23 Cambio del fusible de corriente continua

- ▶ Extraiga la cubierta de fusibles (fig. 4 3, página 4) con un destornillador.
- ▶ Dé la vuelta a la cubierta de fusibles y utilice el gancho para extraer el fusible de hoja defectuoso.

- ▶ Introduzca un fusible nuevo del mismo tipo y capacidad.
- ▶ Vuelva a colocar la cubierta de fusibles.

7.24 Cambio del fusible de la clavija de corriente continua

- ▶ Sustituya el fusible defectuoso por uno nuevo del mismo tipo y capacidad.
- ▶ Proceda de la forma indicada (fig. **27**, página 17).

7.25 Cambio de circuito impreso de luces



¡AVISO! Peligro de daños

Únicamente el fabricante, un técnico de mantenimiento autorizado o una persona con cualificación similar podrán cambiar la bombilla con el fin de evitar peligros.

8 Limpieza y mantenimiento



¡AVISO! Peligro de daños

- Nunca limpie el aparato bajo un chorro de agua corriente ni inmerso en agua jabonosa.
- No emplee productos de limpieza corrosivos ni objetos duros, pues podrían dañar la nevera.

- ▶ Limpie de vez en cuando el interior y el exterior del aparato de refrigeración con un paño húmedo.
- ▶ Asegúrese de que las aberturas de entrada y salida de aire del aparato no contengan polvo y estén limpias para que el calor pueda salir y el aparato no se estropee.

9 Resolución de problemas

Fallo	Posible causa	Propuesta de solución
El dispositivo no funciona (modo CC, ignición activada).	No se ha detectado tensión en la salida de corriente continua.	En la mayoría de los vehículos, el encendido debe estar conectado para que se pueda suministrar corriente a la salida de alimentación de corriente continua.
	La salida de corriente continua está sucia. En consecuencia, el contacto eléctrico es defectuoso.	Si la clavija del aparato se calienta mucho en la salida de corriente continua, significa que la salida está sucia o que la clavija no está correctamente montada.
	El fusible de la clavija de corriente continua se ha fundido.	Cambie el fusible de la clavija de corriente continua, véase capítulo "Cambio del fusible de corriente continua" en la página 118.
	El fusible de la salida de corriente continua del aparato se ha fundido.	Sustituya el fusible de corriente continua del aparato, véase capítulo "Cambio del fusible de corriente continua" en la página 118.
	Se ha fundido el fusible del vehículo.	Sustituya el fusible de la salida de corriente continua del vehículo. Consulte para ello las instrucciones de uso del vehículo.
El aparato no funciona (modo CA).	No hay tensión en el enchufe de corriente alterna.	Intente utilizar otro enchufe.
	El fusible de corriente alterna del aparato se ha fundido.	Sustituya el fusible de corriente alterna del aparato, véase capítulo "Cambio del fusible de corriente alterna" en la página 118.
	El adaptador de corriente alterna integrado está averiado.	Solo un centro de reparación autorizado puede realizar la reparación.
La pantalla no responde a las pulsaciones de teclas.	La pantalla está bloqueada.	Desbloquee la pantalla, véase capítulo "Bloqueo/desbloqueo de la pantalla" en la página 113.

Fallo	Posible causa	Propuesta de solución
La app no puede controlar el aparato.	Bluetooth o WiFi no están conectados.	Conecte Bluetooth, véase capítulo "Ajuste de la señal Bluetooth y conexión a la app" en la página 116, o conecte WiFi, véase capítulo "Ajuste de la señal WiFi y conexión a la app" en la página 116.
La pantalla muestra un mensaje de alerta o un código de advertencia.	–	Véase la siguiente tabla.

Mensajes de alerta

Por ejemplo, véase fig. 25 A, página 16.

Mensaje de alerta	Descripción	Posible causa	Propuesta de solución
¡ALERTA! - Tapa abierta > 3 min	Tapa abierta durante más de 3 minutos	<ul style="list-style-type: none"> • La tapa no está completamente encajada • Avería interna 	<ul style="list-style-type: none"> • Comprobar que la tapa esté completamente encajada • Se requiere la inspección por parte de un centro de reparación autorizado

Mensaje de alerta	Descripción	Posible causa	Propuesta de solución
¡ALERTA! - Tensión baja	El aparato ha dejado de funcionar en corriente continua debido a la baja tensión	<ul style="list-style-type: none"> Tensión de alimentación insuficiente Tensión de la batería demasiado baja El protector de batería está ajustado demasiado alto 	<ul style="list-style-type: none"> Comprobar la caída de tensión desde la batería hasta la salida de alimentación de corriente y, en caso necesario, aumentar el calibre del cableado Comprobar la batería y cargarla correspondientemente Seleccionar un ajuste más bajo para el protector de batería
	El aparato ha dejado de funcionar en corriente continua debido a una tensión inusualmente alta >31,5 V (caso improbable – solo para protección del sistema electrónico – utiliza el mismo mensaje de alerta que el descrito más arriba para tensión baja)	<ul style="list-style-type: none"> Especificación incorrecta de la tensión de alimentación CC Tensión de alimentación errónea Avería interna 	<ul style="list-style-type: none"> Asegúrese de que la especificación de la tensión de alimentación CC coincide con la etiqueta de clasificación del producto CFX 3 Controle la alimentación de tensión CC y si presenta algún defecto, encárgase de las reparaciones o sustituciones necesarias Se requiere la inspección por parte de un centro de reparación autorizado

Códigos de advertencia

Véase, por ejemplo, fig. 25 B, página 16.

Código de advertencia	Fallo	Posible causa	Propuesta de solución
!ADVERTENCIA 32	Sobrecorriente del ventilador	Avería interna.	Apagar el aparato durante, por lo menos, 5 minutos y seguidamente reiniciarlo.
!ADVERTENCIA 33	Fallo de arranque del compresor		Si el problema persiste, se requiere la inspección por parte de un centro de reparación autorizado
!ADVERTENCIA 34	Velocidad del compresor baja	<ul style="list-style-type: none"> Alta temperatura ambiente 	<ul style="list-style-type: none"> Apagar el aparato durante al menos 30 minutos o trasladarlo a un lugar más fresco y, a continuación, reiniciar
!ADVERTENCIA 35	Sobretensión del controlador	<ul style="list-style-type: none"> Abertura de aire bloqueada o espacio libre insuficiente Avería interna 	<ul style="list-style-type: none"> Despejar las aberturas Se requiere la inspección por parte de un centro de reparación autorizado
!ADVERTENCIA 01	Circuito abierto NTC SZ & DZ GRANDE	Avería interna	Se requiere la inspección por parte de un centro de reparación autorizado
!ADVERTENCIA 11	Circuito abierto NTC DZ PEQUEÑO		
!ADVERTENCIA 02	Cortocircuito NTC SZ & DZ GRANDE		
!ADVERTENCIA 12	Cortocircuito NTC DZ PEQUEÑO		
!ADVERTENCIA 09	Válvula DZ o válvula Ice Maker averiadas		Apagar el aparato durante, al menos, 1 minuto y seguidamente reiniciarlo. Si el problema persiste, se requiere la inspección por parte de un centro de reparación autorizado
!ADVERTENCIA 03/43	Error de comunicación		

10 Garantía

Se aplica el período de garantía estipulado por la ley. Si el producto está defectuoso, contacte con el punto de venta o con la sucursal del fabricante en su país ([visite dometic.com/dealer](http://visitadometic.com/dealer)).

Para tramitar la reparación y la garantía, incluya los siguientes documentos cuando envíe el producto:

- Una copia de la factura con fecha de compra
- El motivo de la reclamación o una descripción de la avería

11 Gestión de residuos



¡ADVERTENCIA! Riesgo de atrapamiento de niños

Antes de deshacerse de su aparato de refrigeración viejo:

- Desmonte la tapa.
- Deje las cestas colocadas en su sitio para impedir que los niños puedan introducirse en el aparato.

Reciclaje de materiales de embalaje



- Deseche el material de embalaje en el contenedor de reciclaje correspondiente.

Reciclaje de productos con pilas no sustituibles, baterías recargables o fuentes de luz



- Si el producto contiene pilas no sustituibles, baterías recargables o fuentes de luz, no es necesario que las quite antes de desecharlo.
- Cuando vaya a desechar definitivamente el producto, infórmese en el centro de reciclaje más cercano o en un comercio especializado sobre las normas pertinentes de gestión de residuos.
- El producto podrá desecharse gratuitamente.

12 Datos técnicos

**NOTA**

No será posible alcanzar la temperatura mínima mostrada en “Potencia de refrigeración” si la temperatura ambiente está por encima de 32 °C (90 °F) en el caso de los modelos CFX3 25/35/45/55/55IM/100 o de 30 °C (86 °F) en el caso de los modelos CFX3 75DZ/95DZ (juego pequeño -22 °C/grande +4 °C).

Inspección/certificados:



	CFX3 25	CFX3 35
Tensión de conexión:	12/24 V=== 100-240 V~	
Corriente nominal:	12 V===: 6.5 A 24 V===: 3.2 A 100 V~: 0,90 A 240 V~: 0,38 A	12 V===: 7.5 A 24 V===: 3.3 A 100 V~: 0,94 A 240 V~: 0,39 A
Potencia de refrigeración:	+20 °C hasta -22 °C (+68 °F hasta -8 °F)	
Clase climática:	N, T	
Temperatura ambiente:	+16 °C hasta +43 °C (+61 °F hasta +110 °F)	
Puerto de carga USB:	5 V===, 2 A	
Rango de frecuencia:	WiFi: 2412 MHz – 2472 MHz / 2422 MHz – 2462 MHz Bluetooth/BLE: 2402 MHz – 2480 MHz	
Banda de frecuencia (WiFi):	2,4 GHz	
Potencia RF de salida:	WiFi: 16,62 dBm (802.11b), 16,23 dBm (802.11g), 16,45 dBm (802.11n20), 16,02 dBm (802.11n40) Bluetooth: 8,31 dBm Bluetooth LE: 6,67 dBm	
Cantidad de refrigerante:	32 g	38 g
Equivalente de CO ₂ :	0,046 t	0,054 t
Índice GWP (Global warming potential):	1430	
Dimensiones (A x P x H) en mm (incluyendo asas):	342 x 569 x 420	398 x 694 x 407
Peso:	12,7 kg	16,9 kg

	CFX 3 45	CFX3 55
Tensión de conexión:	12/24 V=== 100-240 V~	
Corriente nominal:	12 V===: 8.2 A 24 V===: 3.5 A 100 V~: 0,96 A 240 V~: 0,40 A	12 V===: 8.7 A 24 V===: 3.7 A 100 V~: 0,98 A 240 V~: 0,41 A
Potencia de refrigeración:	+20 °C hasta -22 °C (+68 °F hasta -8 °F)	
Clase climática:	N, T	
Temperatura ambiente:	+16 °C hasta +43 °C (+61 °F hasta +110 °F)	
Puerto de carga USB:	5 V===, 2 A	
Rango de frecuencia:	WiFi: 2412 MHz – 2472 MHz / 2422 MHz – 2462 MHz Bluetooth/BLE: 2402 MHz – 2480 MHz	
Banda de frecuencia (WiFi):	2,4 GHz	
Potencia RF de salida:	WiFi: 16,62 dBm (802.11b), 16,23 dBm (802.11g), 16,45 dBm (802.11n20), 16,02 dBm (802.11n40) Bluetooth: 8,31 dBm Bluetooth LE: 6,67 dBm	
Cantidad de refrigerante:	42 g	45 g
Equivalente de CO ₂ :	0,060 t	0,064 t
Índice GWP (Global warming potential):	1430	
Dimensiones (A x P x H) en mm (incluyendo asas):	398 x 694 x 476	720 x 455 x 480
Peso:	18,7 kg	20,4 kg

	CFX3 55IM	CFX3 75DZ	CFX3 95DZ
Tensión de conexión:	12/24 V=== 100-240 V~		
Corriente nominal:	12 V===: 8.9 A 24 V===: 3.8 A 100 V~ : 1.00 A 240 V~ : 0,42 A	12 V===: 9.6 A 24 V===: 4.2 A 100 V~ : 1,12 A 240 V~ : 0,47 A	12 V===: 10,4 A 24 V===: 4.6 A 100 V~ : 1,22 A 240 V~ : 0,51 A
Potencia de refrigeración:	+20 °C hasta -22 °C (+68 °F hasta -8 °F)		
Clase climática:	N, T		
Temperatura ambiente:	+16 °C hasta +43 °C (+61 °F hasta +110 °F)		
Puerto de carga USB:	5 V===, 2 A		
Rango de frecuencia:	WiFi: 2412 MHz – 2472 MHz / 2422 MHz – 2462 MHz Bluetooth/BLE: 2402 MHz – 2480 MHz		
Banda de frecuencia (WiFi):	2,4 GHz		
Potencia RF de salida:	WiFi: 16,62 dBm (802.11b), 16,23 dBm (802.11g), 16,45 dBm (802.11n20), 16,02 dBm (802.11n40) Bluetooth: 8,31 dBm Bluetooth LE: 6,67 dBm		
Cantidad de refrigerante:	45 g	59 g	67 g
Equivalente de CO ₂ :	0,064 t	0,084 t	0,096 t
Índice GWP (Global warming potential):	1430		
Dimensiones (A x P x H) en mm (incluyendo asas):	720 x 455 x 480	892 x 495 x 472	962 x 530 x 472
Peso:	21,3 kg	27,8 kg	29,8 kg

	CFX3 100
Tensión de conexión:	12/24 V=== 100-240 V~
Corriente nominal:	12 V===: 10,8 A 24 V===: 4,8 A 100 V~ : 1,28 A 240 V: 0,53 A
Potencia de refrigeración:	+20 °C hasta -22 °C (+68 °F hasta -8 °F)
Clase climática:	N, T
Temperatura ambiente:	+16 °C hasta +43 °C (+61 °F hasta +110 °F)
USB:	5 V===, 2 A
Rango de frecuencia:	WiFi: 2412 MHz - 2472 MHz / 2422 MHz - 2462 MHz Bluetooth/BLE: 2402 MHz - 2480 MHz
Banda de frecuencia (WiFi):	2,4 GHz
Potencia RF de salida:	WiFi: 16,62 dBm (802.11b), 16,23 dBm (802.11g), 16,45 dBm (802.11n20), 16,02 dBm (802.11n40) Bluetooth: 8,31 dBm Bluetooth LE: 6,67 dBm
Cantidad de refrigerante:	60 g
Equivalente de CO ₂ :	0,086 t
Índice GWP (Global warming potential):	1430
Dimensiones (A x P x H) en mm (incluyendo asas):	962 x 530 x 472
Peso:	29,6 kg

El circuito de refrigeración contiene R134a.

Este producto contiene gases fluorados de efecto invernadero.

La unidad de refrigeración está sellada herméticamente.

El equipo de radio Dometic de CFX3 25 a CFX3 100 cumple los requisitos de la Directiva 2014/53/UE. Encontrará la declaración de conformidad del dispositivo en documents.dometic.com.

Leia atentamente as presentes instruções e siga todas as instruções, orientações e avisos incluídos neste manual, de modo a garantir sempre a correta instalação, utilização e manutenção do produto. É OBRIGATÓRIO manter estas instruções junto com o produto.

Ao utilizar o produto, está a confirmar que leu atentamente todas as instruções, orientações e avisos, e que compreende e aceita cumprir os termos e condições estabelecidos no presente manual. Aceita utilizar este produto exclusivamente para o fim e a aplicação a que se destina e de acordo com as instruções, orientações e avisos estabelecidos neste manual, assim como de acordo com todas as leis e regulamentos aplicáveis. Caso não leia nem siga as instruções e os avisos aqui estabelecidos, poderá sofrer ferimentos pessoais ou causar ferimentos a terceiros e o produto ou outros materiais nas proximidades poderão ficar danificados. Este manual do produto, incluindo as instruções, orientações e avisos, bem como a documentação relacionada, podem estar sujeitos a alterações e atualizações. Para consultar as informações atualizadas do produto, visite documents.dometic.com, dometic.com.

Índice

1	Explicação dos símbolos	131
2	Indicações de segurança	132
3	Material fornecido	135
4	Acessórios	136
5	Utilização adequada	136
6	Descrição do funcionamento	137
6.1	Âmbito de funções	138
6.2	Elementos de funcionamento e de indicação	138
7	Operação	139
7.1	Antes da primeira utilização	139
7.2	Poupar energia	140
7.3	Inverter a direção de abertura da tampa	140
7.4	Conectar a geleira	140
7.5	Utilizar a geleira	141
7.6	Utilizar o monitor	141
7.7	Bloquear/desbloquear o monitor	142
7.8	Selecionar as unidades de temperatura	142
7.9	Regular a temperatura	142
7.10	Utilizar a proteção da bateria	143
7.11	Definir a luminosidade do monitor	143
7.12	Ligar ou desligar os compartimentos (apenas CFX3 75DZ, CFX3 95DZ)	143
7.13	Utilizar a máquina de gelo (apenas CFX3 55IM)	144
7.14	Descarregar a aplicação CFX3	145
7.15	Definir o sinal de Bluetooth e estabelecer a ligação à aplicação	146
7.16	Definir o sinal de Wi-Fi e estabelecer a ligação à aplicação	146
7.17	Alterar o nome e a palavra-passe da geleira CFX na aplicação	146
7.18	Repor a palavra-passe da aplicação (apenas Wi-Fi)	147

7.19	Repor as definições de fábrica	147
7.20	Porta USB para a alimentação de tensão	147
7.21	Descongelar a geleira	147
7.22	Substituir o fusível de corrente alternada	148
7.23	Substituir o fusível de corrente contínua	148
7.24	Substituir o fusível da ficha de corrente contínua	148
7.25	Substituir a placa de circuito impresso de luz	148
8	Limpeza e manutenção	149
9	Resolução de falhas	149
10	Garantia	153
11	Eliminação	153
12	Dados técnicos	153

1 Explicação dos símbolos



PERIGO!

Indicação de segurança: indica uma situação perigosa que, se não for evitada, resultará em morte ou ferimentos graves.



AVISO!

Indicação de segurança: Indica uma situação perigosa que, se não for evitada, pode causar a morte ou ferimentos graves.



PRECAUÇÃO!

Indicação de segurança: Indica uma situação perigosa que, se não for evitada, pode causar ferimentos ligeiros ou moderados.



NOTA!

Indica uma situação que, se não for evitada, pode causar danos materiais.



OBSERVAÇÃO

Informações suplementares para a utilização do produto.

2 Indicações de segurança



PERIGO! O incumprimento destes avisos resultará em morte ou ferimentos graves.

Risco de eletrocussão

- Em barcos: em caso de funcionamento com rede elétrica, certifique-se de que a sua alimentação de corrente está protegida por um disjuntor.
- Nunca toque em cabos não blindados com as mãos desprotegidas. Isto aplica-se, em especial, durante o funcionamento do aparelho com rede de corrente alternada.
- Antes de colocar o aparelho em funcionamento, certifique-se de que a conexão e a ficha estão secas.



AVISO! O incumprimento destes avisos poderá resultar em morte ou ferimentos graves.

Risco de eletrocussão

- Não coloque o aparelho de refrigeração em funcionamento se este apresentar danos visíveis.
- Se o cabo de alimentação deste aparelho de refrigeração estiver danificado, ele terá de ser substituído para evitar perigos.
- As reparações neste aparelho de refrigeração só podem ser realizadas por técnicos qualificados. Reparações inadequadas podem dar origem a perigos consideráveis.
- Ligue o aparelho a tomadas que garantam uma ligação correta, sobretudo se o aparelho tiver de ser ligado à terra.

Perigo de incêndio

- Ao colocar o aparelho, certifique-se de que o cabo de alimentação não fica preso nem é danificado.
- Não coloque tomadas múltiplas ou fontes de alimentação portáteis na parte de trás do aparelho.
- Mantenha desimpedidas as aberturas de ventilação na carcaça do dispositivo ou nos acessórios montados.
- Não utilize objetos mecânicos ou outros meios para acelerar o processo de descongelamento a não ser os recomendados pelo fabricante.
- Não danifique o circuito de refrigeração.

Risco para a saúde

- Este aparelho pode ser utilizado por crianças a partir dos 8 anos e pessoas com capacidades físicas, sensoriais ou mentais reduzidas ou sem experiência e conhecimento se forem supervisionadas ou receberem instruções sobre a utilização do aparelho de forma segura e compreenderem os perigos implicados.
- As crianças não podem brincar com o aparelho.
- A limpeza e a manutenção não podem ser efetuadas por crianças sem supervisão.
- Crianças com idades entre os 3 e os 8 anos podem colocar e tirar itens de aparelhos de refrigeração.

Perigo de explosão

- Não guarde quaisquer substâncias potencialmente explosivas, tais como latas de spray com um carburante inflamável, no aparelho de refrigeração.



PRECAUÇÃO! O incumprimento destas advertências poderá resultar em ferimentos ligeiros ou moderados.

Risco de eletrocussão

- Desligue o aparelho de refrigeração da alimentação elétrica
 - Antes de cada limpeza e manutenção
 - Depois de cada utilização

Risco para a saúde

Para evitar a contaminação de alimentos, respeite as seguintes instruções:

- Verifique se a potência de refrigeração do aparelho cumpre os requisitos para o armazenamento dos géneros alimentícios ou dos medicamentos que pretende refrigerar.
- Os géneros alimentícios só podem ser guardados nas embalagens originais ou em recipientes adequados.
- Abrir o aparelho de refrigeração durante longos períodos pode provocar um aumento significativo da temperatura nos compartimentos do aparelho.
- Limpe regularmente as superfícies que entram em contacto com géneros alimentícios e os sistemas de drenagem acessíveis.

- Se o aparelho ficar vazio durante longos períodos:
 - Desligue o aparelho.
 - Descongele o aparelho.
 - Limpe e seque o aparelho.
 - Deixe a tampa aberta para impedir o crescimento de bolor no interior do aparelho.

**NOTA! Risco de danos**

- Verifique se a especificação de tensão na placa de características corresponde à da alimentação de energia.
- Conecte o aparelho de refrigeração apenas do seguinte modo:
 - Com o cabo de conexão CC a uma fonte de alimentação CC no veículo
 - Ou com o cabo de conexão de corrente alternada a uma fonte de alimentação de corrente alternada
- Nunca retire a ficha da tomada puxando pelo cabo.
- Se o aparelho de refrigeração estiver ligado a uma tomada de corrente contínua, desligue o aparelho de refrigeração e outros aparelhos consumidores da bateria antes de ligar um carregador rápido.
- Se o aparelho de refrigeração estiver ligado a uma saída de corrente contínua, desconecte o aparelho de refrigeração ou desligue-o quando desligar o motor. Caso contrário, a bateria do veículo pode descarregar.
- O aparelho de refrigeração não é adequado para o transporte de materiais cáusticos ou materiais que contenham solventes.
- O isolamento do aparelho de refrigeração contém ciclopentano inflamável e requer medidas de eliminação especiais. No fim da respetiva vida útil, encaminhe o aparelho de refrigeração para um centro de reciclagem adequado.
- Não utilize aparelhos elétricos dentro do aparelho de refrigeração, exceto se esses aparelhos forem recomendados pelo fabricante para o efeito.
- Não coloque o aparelho de refrigeração na proximidade de chamas abertas ou de outras fontes de calor (aquecedores, radiação solar direta, fornos a gás, etc.).

- **Risco de sobreaquecimento!**

Certifique-se sempre de que existe um espaço mínimo de ventilação de 50 mm nos quatro lados do aparelho de refrigeração. Mantenha a área de ventilação livre de quaisquer objetos que possam obstruir o fluxo de ar para os componentes de refrigeração.

Não coloque o aparelho de refrigeração em compartimentos fechados ou em áreas sem circulação de ar ou com uma circulação de ar muito reduzida.

- Certifique-se de que as aberturas de ventilação não estão tapadas.
- Não verta líquidos nem gelo para dentro do recipiente interior.
- Nunca mergulhe o aparelho de refrigeração em água.
- Proteja o aparelho de refrigeração e os cabos do calor e da humidade.
- O aparelho não pode ser exposto à chuva.

3 Material fornecido

Posição na
fig. 1,
página 3

Quantidade Descrição

1	1	Geleira
2	1	Cabo de conexão de corrente contínua
3	1	Cabo de conexão de corrente alternada

4 Acessórios

Disponível como acessório (não incluído no material fornecido):

Designação	N.º art.	Modelo
Capa de proteção		
CFX3 25PC	9600028749	CFX3 25
CFX3 35PC	9600028455	CFX3 35
CFX3 45PC	9600028456	CFX3 45
CFX3 55PC	9600028457	CFX3 55
		CFX3 55IM
CFX3 75PC	9600028458	CFX3 75DZ
CFX3 95PC	9600028459	CFX3 95DZ
CFX3 100PC	9600028460	CFX3 100
Prateleira deslizante para frigorífico		
CFX3 SLD3545	9600028548	CFX3 35
		CFX3 45
CFX3 SLD55	9600028549	CFX3 55
		CFX3 55IM
CFX3 SLD75	9600028550	CFX3 75DZ
CFX3 SLD95100	9600028551	CFX3 95DZ
		CFX3 100
Aplicação CFX3	–	todos os modelos
PLB40	9600012878	todos os modelos

Tenha em atenção que a aplicação CFX3 pode não estar disponível no seu país.

5 Utilização adequada

A geleira é adequada para refrigerar géneros alimentícios. A geleira também é adequada para a utilização em veículos. A geleira está concebida para ser ligada a uma tomada de alimentação de corrente contínua de um veículo ou a uma fonte de alimentação de corrente alternada.

A geleira também é adequada para a utilização em campismo.

A geleira está concebida para ser utilizada em aplicações domésticas e semelhantes, tais como

- áreas de cozinha do pessoal em estabelecimentos comerciais, escritórios e outros ambientes de trabalho
- explorações agrícolas
- por clientes em hotéis, motéis e outros ambientes de tipo residencial
- ambientes do tipo “bed and breakfast”
- aplicações do ramo de catering e em aplicações semelhantes do comércio grossista

A geleira **não** é adequada para:

- armazenar substâncias corrosivas, cáusticas ou que contenham solventes

Esta geleira destina-se exclusivamente à aplicação e aos fins pretendidos com base nestas instruções.

Este manual fornece informações necessárias para proceder a uma instalação e/ou a uma operação adequadas da geleira. Uma instalação e/ou uma operação ou manutenção incorretas causarão um desempenho insatisfatório e uma possível avaria.

O fabricante não aceita qualquer responsabilidade por danos ou prejuízos no produto resultantes de:

- Montagem ou ligação incorreta, incluindo sobretensões
- Manutenção incorreta ou utilização de peças sobressalentes não originais fornecidas pelo fabricante
- Alterações ao produto sem autorização expressa do fabricante
- Utilização para outras finalidades que não as descritas no presente manual

A Dometic reserva-se o direito de alterar o design e as especificações do produto.

6 Descrição do funcionamento

A refrigeração é efetuada através de um circuito de refrigeração com compressor que requer pouca manutenção. O elevado isolamento e o compressor potente asseguram uma refrigeração eficiente e rápida.

A geleira é adequada para a utilização móvel.

A geleira resiste a uma inclinação de 30° por períodos curtos.

6.1 Âmbito de funções

- Fonte de alimentação com ligação prioritária à fonte de alimentação de corrente alternada
- Proteção da bateria com três níveis para proteção da bateria do veículo
- Monitor com indicador da temperatura em °C e °F
- Definição da temperatura em intervalos de 1 °C (1 °F)
- Função Wi-Fi e Bluetooth integrada, podendo ser controlada através de uma aplicação
- Pegas articuladas
- Carregador USB para aparelhos portáteis, como telemóveis
- Cesto amovível
- **Apenas CFX3 55IM:** Máquina de gelo

6.2 Elementos de funcionamento e de indicação

Lingueta para a tampa: **fig. 2 1**, página 3

Painel de comando (**fig. 3**, página 4):

Item	Descrição	Explicação
1		Liga a geleira quando o botão é pressionado por breves instantes Desliga a geleira quando o botão é pressionado durante três segundos Regressa ao menu anterior
2	Monitor	Indica a informação AC : a rede de corrente alternada está ligada DCV : a rede de corrente contínua está ligada  : o Bluetooth está ativado  : o Wi-Fi está ativado  : o monitor está bloqueado  : o compressor está a funcionar  : a máquina de gelo está a funcionar (apenas CFX3 55IM)

Item	Descrição	Explicação
3		<p>Prima  para navegar para cima ou para aumentar o valor selecionado.</p> <p>Prima  para navegar para baixo ou para diminuir o valor selecionado.</p> <p>Prima  e  simultaneamente durante 3 s para bloquear ou desbloquear o monitor.</p>
4		Prima para selecionar um menu ou guardar o valor selecionado.

Ligações de encaixe (fig. 4, página 4):

Item	Descrição
1	Ligação de encaixe da alimentação de tensão em corrente alternada
2	Ligação de encaixe da alimentação de tensão em corrente contínua
3	Porta-fusíveis de corrente contínua
4	Porta-fusíveis de corrente alternada

7 Operação

Para evitar desperdício alimentar, observe o seguinte:

- Mantenha as oscilações de temperatura o mais reduzidas possível. Abra o aparelho de refrigeração apenas as vezes que forem necessárias e apenas durante o tempo necessário. Armazene os alimentos de modo a que o ar continue a circular bem.
- Ajuste a temperatura à quantidade e ao tipo de alimentos.
- Os alimentos podem absorver ou libertar facilmente cheiro ou sabor. Armazene os alimentos sempre bem cobertos ou em recipientes/garrafas fechadas.

7.1 Antes da primeira utilização



OBSERVAÇÃO

Por razões de higiene, antes de colocar a sua geleira em funcionamento pela primeira vez, deverá limpar o interior e o exterior com um pano húmido (ver também capítulo “Limpeza e manutenção” na página 149).

7.2 Poupar energia

- Escolha um local bem ventilado e protegido da luz solar direta.
- Primeiro, deixe os alimentos quentes arrefecerem antes de os refrigerar no aparelho de refrigeração.
- Não abra o aparelho de refrigeração mais vezes do que as necessárias.
- Não deixe o aparelho de refrigeração aberto durante mais tempo do que o necessário.
- Se a geleira estiver equipada com um cesto: Para um consumo de energia otimizado, posicione o cesto na sua posição original de entrega.
- Verifique regularmente se a vedação da tampa ainda está corretamente encaixada.

7.3 Inverter a direção de abertura da tampa

CFX3 55, CFX3 55IM, CFX3 100

- ▶ Proceda como ilustrado (fig. **5**, página 5).

CFX3 75DZ, CFX3 95DZ

- ▶ Proceda como ilustrado (fig. **6**, página 6).

7.4 Conectar a geleira



NOTA! Risco de danos

- Para proteção do aparelho, o cabo de corrente contínua fornecido inclui um fusível no interior da ficha. **Não** remova a ficha de corrente contínua com fusível.
Utilize apenas o cabo de corrente contínua fornecido.
- Desligue a geleira e outros consumidores da bateria antes de ligar a bateria a um carregador rápido.
As sobretensões podem danificar o sistema eletrónico do aparelho.

Conexão a uma bateria

- ▶ Proceda como ilustrado (fig. **7**, página 7).

Conexão através de ligação por cabo de corrente contínua (apenas CFX3 100)

- ▶ Proceda como ilustrado (fig. **8**, página 8).

Conexão a uma rede de corrente alternada



PERIGO! Risco de eletrocussão

- Nunca manuseie as fichas e os interruptores quando tiver as mãos molhadas ou quando tiver os pés em pavimento molhado.
- Se estiver a utilizar a sua geleira a bordo de um barco com ligação a uma rede de corrente alternada, deverá instalar sempre um disjuntor de tensão residual entre a rede de corrente alternada e a geleira. Solicite o parecer de um técnico especializado.

► Proceda como ilustrado (fig. **9**, página 9).

7.5 Utilizar a geleira



NOTA! Risco de sobreaquecimento

Certifique-se sempre de que existe uma ventilação suficiente por forma a que o calor gerado possa ser dissipado. Assegure-se de que as aberturas de ventilação não estão tapadas. Certifique-se de que o aparelho está posicionado a uma distância suficiente de paredes ou objetos de modo a que o ar possa circular livremente.



OBSERVAÇÃO

No funcionamento com bateria, o monitor desliga-se automaticamente se a tensão da bateria for baixa.

- Ligar a geleira: fig. **10**, página 9
- Desligar a geleira: fig. **11**, página 10

7.6 Utilizar o monitor

Estados do monitor (fig. **12, página 10)**

Item	Descrição
A	Standby
B	Inativo
C	Bloqueado

Visão geral do monitor: fig. 13, página 11**Navegar pelos menus**

O menu destacado está selecionado.

- ▶ Prima  para navegar para cima.
- ▶ Prima  para navegar para baixo.

Escolher um menu

- ▶ Prima  para selecionar o menu pretendido.

Alterar as definições

A definição ou o valor destacado está selecionado.

- ▶ Prima  para aumentar o valor selecionado ou escolher a definição anterior.
- ▶ Prima  para diminuir o valor selecionado ou escolher a definição seguinte.

Regressar ao menu anterior

- ▶ Prima  para regressar ao menu anterior sem guardar.

7.7 Bloquear/desbloquear o monitor

- ▶ Prima  e  simultaneamente durante 3 s para bloquear ou desbloquear o monitor (fig. 14, página 11).

7.8 Selecionar as unidades de temperatura

- ▶ Proceda como ilustrado (fig. 15, página 11).

7.9 Regular a temperatura**NOTA! Risco de danos devido a uma temperatura demasiado baixa**

Certifique-se de que no aparelho de refrigeração apenas se encontram objetos ou produtos que possam ser refrigerados à temperatura selecionada.

- ▶ Proceda como ilustrado (fig. 16, página 12).

7.10 Utilizar a proteção da bateria

O aparelho está equipado com uma proteção da bateria de 3 níveis. A proteção da bateria impede o descarregamento excessivo quando o aparelho está ligado à bateria de arranque de um veículo ou maximiza a utilização de uma bateria de alimentação.

Se a geleira for operada com a ignição do veículo desligada, desliga-se automaticamente assim que a tensão de alimentação descer abaixo de um valor definido. A geleira liga-se novamente assim que a bateria estiver carregada até ao nível de tensão para o novo arranque.



NOTA! Risco de danos

Quando desligada pela proteção da bateria, a bateria deixará de estar completamente carregada. Evite ligar repetidamente. Certifique-se de que a bateria está carregada.



OBSERVAÇÃO

Se a geleira for alimentada por uma bateria de arranque, selecione o modo de proteção da bateria "MEDIUM" ou "HIGH". Se a geleira estiver ligada a uma bateria de alimentação, o modo de proteção da bateria "LOW" é ideal.

- Proceda como ilustrado (fig. **17**, página 13).

7.11 Definir a luminosidade do monitor

- Proceda como ilustrado (fig. **18**, página 13).

7.12 Ligar ou desligar os compartimentos (apenas CFX 3 75DZ, CFX 3 95DZ)

Pode ativar cada zona individualmente ou ambas.

- Proceda como ilustrado (fig. **19**, página 14).

7.13 Utilizar a máquina de gelo (apenas CFX3 55IM)



OBSERVAÇÃO

- Independentemente da definição da temperatura do compartimento principal, a zona da máquina de gelo foi concebida para fazer cubos de gelo se a máquina de gelo estiver ligada.
- O consumo de energia da geleira aumenta se a máquina de gelo estiver ligada. Por este motivo, deve desligar a máquina de gelo caso não seja necessária.
- A definição de fábrica da máquina de gelo é DESLIGADO.

- ▶ Proceda como ilustrado (fig. 20, página 14).

Encher as bandejas de gelo com água

- ▶ Retire as bandejas de gelo (fig. 21 1, página 15) da caixa da máquina de gelo (fig. 21 2, página 15).
- ▶ Retire as tampas das bandejas de gelo, encha com água limpa e volte a colocar a tampa, certificando-se de que pressiona as vedações das extremidades a toda a volta.
- ▶ Volte a colocar as bandejas de gelo na caixa da máquina de gelo e feche a tampa.



OBSERVAÇÃO

Se for necessário, seque a água derramada por baixo das bandejas de gelo.
Desta forma irá reduzir a acumulação de gelo por baixo das bandejas e facilitar a sua remoção.

Remover os cubos de gelo

- ▶ Abra a tampa da caixa da máquina de gelo e levante por baixo da parte frontal das bandejas de gelo.



OBSERVAÇÃO

A remoção poderá exigir força adicional utilizando as duas mãos em condições de humidade do ar elevada, o que pode criar uma união de gelo por baixo das bandejas de gelo.

- ▶ Retire as tampas das bandejas de gelo e rode as bandejas para libertar os cubos de gelo.

Remover a caixa da máquina de gelo

A caixa da máquina de gelo pode ser removida para limpeza ou quando não está em utilização para aumentar o espaço disponível dentro da geleira:

- ▶ Levante uma extremidade da caixa até que o gancho se solte, depois retire-a.
- ▶ Inverta o procedimento para voltar a colocar, pressionando os ganchos para baixo para encaixar.

Sugestões para utilizar a máquina de gelo

- A máquina de gelo faz gelo rapidamente durante algumas horas depois de ser ligada e entra automaticamente no modo de manutenção de gelo para reduzir o consumo de energia. Se forem necessários vários lotes de gelo o mais rapidamente possível, desligar a máquina de gelo e voltar a ligá-la irá colocá-la novamente no modo de gelo rápido. Repita conforme necessário.
- Em condições de temperaturas ambiente elevadas, poderá não ser possível manter definições de temperatura baixas do congelador no compartimento principal com a máquina de gelo ligada.

Limpar e secar a máquina de gelo

- ▶ Quando a máquina não estiver em utilização, limpe e seque as bandejas de gelo e o interior da caixa da máquina de gelo para impedir o crescimento de bolor.
- ▶ Após períodos prolongados sem utilizar, limpe o interior das bandejas de gelo com uma solução de líquido lava-loiças suave e enxague com água limpa antes de utilizar.

7.14 Descarregar a aplicação CFX 3

A geleira pode ser monitorizada e controlada por Bluetooth ou Wi-Fi utilizando uma aplicação que pode instalar num aparelho compatível.

- ▶ Descarregue a aplicação CFX3 da App Store ou do Google Play:



Tenha em atenção que a aplicação CFX3 pode não estar disponível no seu país.

7.15 Definir o sinal de Bluetooth e estabelecer a ligação à aplicação

A geleira pode ser monitorizada e controlada por Bluetooth. Para isso, tem de emparelhar a geleira com o seu aparelho Bluetooth.



OBSERVAÇÃO

- O emparelhamento tem de ser efetuado na aplicação CFX3, não nas definições do aparelho.
- Não é necessária palavra-passe para ligação Bluetooth.

► Proceda como ilustrado (fig. **22**, página 15).

7.16 Definir o sinal de Wi-Fi e estabelecer a ligação à aplicação

A geleira pode ser monitorizada e controlada por Wi-Fi Direct para a geleira ou através de uma rede Wi-Fi.

► Proceda como ilustrado (fig. **23**, página 16) para ligar o Wi-Fi.

- Para ligação através de Wi-Fi Direct para a geleira, aceda às definições do aparelho e seleccione a geleira.
 - O nome do Wi-Fi da geleira começa por “CFX3”.
 - A palavra-passe predefinida é “00000000”.
 - Pode personalizar o nome e a palavra-passe do Wi-Fi na aplicação CFX3.



OBSERVAÇÃO

Para ligação através de rede Wi-Fi, aceda a “network connection” (ligação de rede) em SETTINGS (DEFINIÇÕES) na aplicação.

7.17 Alterar o nome e a palavra-passe da geleira CFX na aplicação

- Pode personalizar o nome da sua geleira CFX na aplicação.
- O Bluetooth e o Wi-Fi utilizam o mesmo nome.
- Também pode personalizar a sua palavra-passe na aplicação - aplicável apenas ao Wi-Fi.
- Aceda a “CFX name and password” (nome e palavra-passe da geleira CFX) em SETTINGS (DEFINIÇÕES) na aplicação.

7.18 Repor a palavra-passe da aplicação (apenas Wi-Fi)

Pode repor a palavra-passe da aplicação para a definição de fábrica “00000000”.

- ▶ Proceda como ilustrado (fig. 23, página 16).

7.19 Repor as definições de fábrica

A função de reposição altera todos os campos da aplicação e dos menus do monitor para as predefinições de fábrica originais.

- ▶ Proceda como ilustrado (fig. 24, página 16).

7.20 Porta USB para a alimentação de tensão

Poderá utilizar a porta USB para carregar aparelhos de pequenas dimensões (p. ex. telemóveis e leitores MP3).



OBSERVAÇÃO

Certifique-se de que o aparelho de pequenas dimensões conectado à porta USB é adequado para o funcionamento com 5 V/2 A.

- ▶ Proceda como ilustrado (fig. 26, página 17).

7.21 Descongelar a geleira

A humidade do ar pode formar gelo no interior do aparelho de refrigeração ou no evaporador. Tal reduz a potência de refrigeração. Descongele o aparelho atempadamente para evitar este problema.



NOTA! Risco de danos

Nunca utilize ferramentas duras ou pontiagudas para retirar as camadas de gelo ou soltar objetos congelados.

Proceda do seguinte modo para descongelar a geleira:

- ▶ Retire os produtos que se encontram na geleira.
- ▶ Se necessário, guarde-os noutra aparelho de refrigeração para que permaneçam refrigerados.
- ▶ Desligue o aparelho.
- ▶ Deixe a tampa aberta.
- ▶ Limpe a água de descongelação.

7.22 Substituir o fusível de corrente alternada



PERIGO! Risco de eletrocussão

Antes da substituição do fusível do aparelho, desligue a fonte de alimentação e retire o cabo de conexão.

- ▶ Desligue a fonte de alimentação do aparelho.
- ▶ Desconecte o cabo de conexão.
- ▶ Retire o encaixe do fusível (fig. **4** 4, página 4) com uma chave de parafusos.
- ▶ Substitua o fusível de vidro danificado por um fusível novo do mesmo tipo e a mesma especificação (ação rápida, 4 A, 250 V).
- ▶ Volte a pressionar o encaixe do fusível para dentro da caixa.
- ▶ Volte a ligar a fonte de alimentação ao aparelho.

7.23 Substituir o fusível de corrente contínua

- ▶ Retire a tampa do fusível (fig. **4** 3, página 4) com uma chave de parafusos.
- ▶ Inverta a tampa do fusível e utilize o gancho para remover o fusível de encaixe plano danificado.
- ▶ Coloque um novo fusível com o mesmo tipo e a mesma especificação.
- ▶ Volte a colocar a tampa do fusível.

7.24 Substituir o fusível da ficha de corrente contínua

- ▶ Substitua o fusível danificado por um novo do mesmo tipo e especificação.
- ▶ Proceda como ilustrado (fig. **27**, página 17).

7.25 Substituir a placa de circuito impresso de luz



NOTA! Risco de danos

Para evitar quaisquer perigos, a lâmpada só pode ser substituída pelo fabricante, por um agente de assistência ou por uma pessoa com qualificação semelhante.

8 Limpeza e manutenção



NOTA! Risco de danos

- Nunca limpe o aparelho de refrigeração sob água corrente ou em água de lavar a loiça.
- Não utilize produtos de limpeza abrasivos ou objetos duros para a limpeza, pois estes podem danificar o aparelho de refrigeração.

- ▶ De vez em quando, limpe o interior e o exterior do aparelho de refrigeração com um pano húmido.
- ▶ Certifique-se que as aberturas de entrada e saída de ar do aparelho estão livres de pó e sujidade para que, durante o funcionamento, o calor possa ser libertado e o aparelho não seja danificado.

9 Resolução de falhas

Falha	Possível causa	Sugestão de solução
O aparelho não funciona (funcionamento a corrente contínua, ignição ligada).	Não foi detetada tensão na tomada de corrente contínua.	Na maioria dos veículos, a ignição tem de ser ligada antes de ser possível fornecer energia à tomada de corrente contínua.
	A tomada de corrente contínua está suja. Tal origina um mau contacto elétrico.	Se a ficha do aparelho ficar muito quente na tomada de corrente contínua, é necessário limpar a tomada de corrente contínua ou a ficha não foi montada corretamente.
	O fusível da ficha de corrente contínua está queimado.	Substitua o fusível da ficha de corrente contínua, ver capítulo “Substituir o fusível de corrente contínua” na página 148.
	O fusível de corrente contínua do aparelho está queimado.	Substitua o fusível de corrente contínua do aparelho, ver capítulo “Substituir o fusível de corrente contínua” na página 148.
	O fusível do veículo está queimado.	Substitua o fusível da tomada de corrente contínua do veículo. Consulte o manual de instruções do seu veículo.

Falha	Possível causa	Sugestão de solução
O aparelho não funciona (funcionamento a corrente alternada).	Não existe tensão na tomada de tensão de corrente alternada.	Tente novamente noutra tomada.
	O fusível de corrente alternada do aparelho está queimado.	Substitua o fusível de corrente alternada do aparelho, ver capítulo “Substituir o fusível de corrente alternada” na página 148.
	O adaptador de corrente alternada está avariado.	Esta reparação só pode ser realizada por um centro de reparação autorizado.
O monitor não responde aos batimentos de teclas.	O monitor está bloqueado.	Desbloqueie o monitor, ver capítulo “Bloquear/desbloquear o monitor” na página 142.
A aplicação não consegue controlar o aparelho.	Bluetooth ou Wi-Fi não ligado.	Ligue o Bluetooth, ver capítulo “Definir o sinal de Bluetooth e estabelecer a ligação à aplicação” na página 146, ou ligue o Wi-Fi, ver capítulo “Definir o sinal de Wi-Fi e estabelecer a ligação à aplicação” na página 146.
O monitor mostra uma mensagem de alerta ou um código de aviso.	–	Ver a tabela seguinte.

Mensagens de alerta

P. ex., ver fig. 25 A, página 16.

Mensagem de alerta	Descrição	Possível causa	Sugestão de solução
!ALERT - Lid open > 3 min	Tampa aberta há mais de 3 minutos	<ul style="list-style-type: none"> A tampa não está totalmente bloqueada Falha interna 	<ul style="list-style-type: none"> Verifique se a tampa está totalmente bloqueada É necessária uma inspeção num centro de reparação autorizado

Mensagem de alerta	Descrição	Possível causa	Sugestão de solução
!ALERT - Voltage low	O aparelho deixou de funcionar a corrente contínua devido a baixa tensão	<ul style="list-style-type: none"> Tensão de alimentação insuficiente Tensão da bateria demasiado baixa A proteção da bateria foi definida a um nível demasiado elevado 	<ul style="list-style-type: none"> Verifique a quebra de tensão da bateria até à tomada de corrente e aumente o indicador da cablagem, se necessário Verifique a bateria e, se necessário, carregue-a Selecione uma definição inferior da proteção da bateria
	O aparelho deixou de funcionar em corrente contínua devido a uma tensão anormalmente elevada >31,5 V (caso improvável – apenas para proteger o sistema eletrónico – utiliza a mesma mensagem de alerta da baixa tensão mencionada anteriormente)	<ul style="list-style-type: none"> Especificação errada da tensão de alimentação CC Tensão de alimentação incorreta Falha interna 	<ul style="list-style-type: none"> Assegure-se de que a especificação de tensão de alimentação CC corresponde à etiqueta de classificação do produto CFX3 Verifique a tensão de alimentação CC e repare ou substitua, em caso de anomalia É necessária uma inspeção num centro de reparação autorizado

Códigos de aviso

P. ex., ver fig. 25 B, página 16.

Código de aviso	Falha	Possível causa	Sugestão de solução
!WARNING 32	Sobrecarga do ventilador	Falha interna.	Desligue o aparelho durante, pelo menos, 5 min e, em seguida, reinicie-o.
!WARNING 33	Falha no arranque do compressor		Se o problema persistir, é necessária uma inspeção num centro de reparação autorizado

Código de aviso	Falha	Possível causa	Sugestão de solução
!WARNING 34	Velocidade do compressor baixa	<ul style="list-style-type: none"> • Temperatura ambiente elevada 	<ul style="list-style-type: none"> • Desligue o aparelho durante, pelo menos, 30 min ou desloque-o para um local mais fresco e, em seguida, reinicie-o
!WARNING 35	Sobreaquecimento do controlador	<ul style="list-style-type: none"> • Abertura de ar bloqueada ou distância insuficiente • Falha interna 	<ul style="list-style-type: none"> • Desobstrua as aberturas • É necessária uma inspeção num centro de reparação autorizado
!WARNING 01	Circuito aberto NTC SZ e DZ GRANDE	Falha interna	É necessária uma inspeção num centro de reparação autorizado
!WARNING 11	Circuito aberto NTC DZ PEQUENO		
!WARNING 02	Curto-circuito NTC SZ e DZ GRANDE		
!WARNING 12	Curto-circuito NTC DZ PEQUENO		
!WARNING 09	Válvula DZ ou válvula da máquina de gelo com falha		Desligue o aparelho durante, pelo menos, 1 min e, em seguida, reinicie-o.
!WARNING 03/43	Erro de comunicação		Se o problema persistir, é necessária uma inspeção num centro de reparação autorizado

10 Garantia

Aplica-se o prazo de garantia legal. Se o produto apresentar defeitos, contacte o seu revendedor ou a filial do fabricante no seu país (ver dometic.com/dealer).

Para fins de reparação e do processamento da garantia, envie também os seguintes documentos quando devolver o produto:

- Uma cópia da fatura com a data de aquisição
- Um motivo de reclamação ou uma descrição da falha

11 Eliminação



AVISO! Risco de as crianças ficarem presas

Antes da eliminação do seu aparelho de refrigeração usado:

- Desmonte a tampa.
- Deixe os cestos no devido lugar para que as crianças não possam subir facilmente para o seu interior.

Reciclagem do material de embalagem



- ▶ Sempre que possível, coloque o material de embalagem no respetivo contentor de reciclagem.

Reciclagem de produtos com baterias, baterias recarregáveis ou fontes de luz não substituíveis



- ▶ Se o produto contiver quaisquer pilhas, baterias recarregáveis ou fontes de luz não substituíveis, não tem de as remover antes da eliminação.
- ▶ Para eliminar definitivamente o produto, informe-se junto do centro de reciclagem ou revendedor mais próximo sobre as disposições de eliminação aplicáveis.
- ▶ O produto pode ser eliminado gratuitamente.

12 Dados técnicos



OBSERVAÇÃO

Não é possível atingir a temperatura mínima indicada em “Potência de refrigeração” se a temperatura ambiente for superior a 32 °C (90 °F), nos modelos CFX3 25/35/45/55/55IM/100, ou se a temperatura ambiente for superior a 30 °C (86 °F), nos modelos CFX3 75DZ/95DZ (definir pequeno -22 °C/grande +4 °C).

Teste/certificados:



	CFX3 25	CFX3 35
Tensão de conexão:	12/24 V \equiv 100–240 V \sim	
Corrente nominal:	12 V \equiv : 6,5 A 24 V \equiv : 3,2 A 100 V \sim : 0,90 A 240 V \sim : 0,38 A	12 V \equiv : 7,5 A 24 V \equiv : 3,3 A 100 V \sim : 0,94 A 240 V \sim : 0,39 A
Potência de refrigeração:	+20 °C a -22 °C (+68 °F a -8 °F)	
Classe de climatização:	N, T	
Temperatura ambiente:	+16 °C a +43 °C (+61 °F a +110 °F)	
Porta de carregamento USB:	5 V \equiv , 2 A	
Gama de frequência:	Wi-Fi: 2412 MHz – 2472 MHz/2422 MHz – 2462 MHz Bluetooth/BLE: 2402 MHz – 2480 MHz	
Banda de frequência (Wi-Fi):	2,4 GHz	
Potência de saída RF:	Wi-Fi: 16,62 dBm (802.11b), 16,23 dBm (802.11g), 16,45 dBm (802.11n20), 16,02 dBm (802.11n40) Bluetooth: 8,31 dBm Bluetooth LE: 6,67 dBm	
Quantidade de agente de refrigeração:	32 g	38 g
Equivalente a CO ₂ :	0,046 t	0,054 t
Potencial de aquecimento global (PAG):	1430	
Dimensões (L x P x A) em mm (incluindo pegas):	342 x 569 x 420	398 x 694 x 407
Peso:	12,7 kg	16,9 kg

	CFX3 45	CFX3 55
Tensão de conexão:	12/24 V \equiv 100-240 V \sim	
Corrente nominal:	12 V \equiv : 8,2 A 24 V \equiv : 3,5 A 100 V \sim : 0,96 A 240 V \sim : 0,40 A	12 V \equiv : 8,7 A 24 V \equiv : 3,7 A 100 V \sim : 0,98 A 240 V \sim : 0,41 A
Potência de refrigeração:	+20 °C a -22 °C (+68 °F a -8 °F)	
Classe de climatização:	N, T	
Temperatura ambiente:	+16 °C a +43 °C (+61 °F a +110 °F)	
Porta de carregamento USB:	5 V \equiv , 2 A	
Gama de frequência:	Wi-Fi: 2412 MHz – 2472 MHz/2422 MHz – 2462 MHz Bluetooth/BLE: 2402 MHz – 2480 MHz	
Banda de frequência (Wi-Fi):	2,4 GHz	
Potência de saída RF:	Wi-Fi: 16,62 dBm (802.11b), 16,23 dBm (802.11g), 16,45 dBm (802.11n20), 16,02 dBm (802.11n40) Bluetooth: 8,31 dBm Bluetooth LE: 6,67 dBm	
Quantidade de agente de refrigeração:	42 g	45 g
Equivalente a CO ₂ :	0,060 t	0,064 t
Potencial de aquecimento global (PAG):	1430	
Dimensões (L x P x A) em mm (incluindo pegas):	398 x 694 x 476	720 x 455 x 480
Peso:	18,7 kg	20,4 kg

	CFX3 55IM	CFX3 75DZ	CFX3 95DZ
Tensão de conexão:	12/24 V=== 100-240 V~		
Corrente nominal:	12 V===: 8,9 A 24 V===: 3,8 A 100 V~: 1,00 A 240 V~: 0,42 A	12 V===: 9,6 A 24 V===: 4,2 A 100 V~: 1,12 A 240 V~: 0,47 A	12 V===: 10,4 A 24 V===: 4,6 A 100 V~: 1,22 A 240 V~: 0,51 A
Potência de refrigeração:	+20 °C a -22 °C (+68 °F a -8 °F)		
Classe de climatização:	N, T		
Temperatura ambiente:	+16 °C a +43 °C (+61 °F a +110 °F)		
Porta de carregamento USB:	5 V===, 2 A		
Gama de frequência:	Wi-Fi: 2412 MHz – 2472 MHz/2422 MHz – 2462 MHz Bluetooth/BLE: 2402 MHz – 2480 MHz		
Banda de frequência (Wi-Fi):	2,4 GHz		
Potência de saída RF:	Wi-Fi: 16,62 dBm (802.11b), 16,23 dBm (802.11g), 16,45 dBm (802.11n20), 16,02 dBm (802.11n40) Bluetooth: 8,31 dBm Bluetooth LE: 6,67 dBm		
Quantidade de agente de refrigeração:	45 g	59 g	67 g
Equivalente a CO ₂ :	0,064 t	0,084 t	0,096 t
Potencial de aquecimento global (PAG):	1430		
Dimensões (L x P x A) em mm (incluindo pegas):	720 x 455 x 480	892 x 495 x 472	962 x 530 x 472
Peso:	21,3 kg	27,8 kg	29,8 kg

	CFX3 100
Tensão de conexão:	12/24 V=== 100–240 V~
Corrente nominal:	12 V===: 10,8 A 24 V===: 4,8 A 100 V~: 1,28 A 240 V: 0,53 A
Potência de refrigeração:	+20 °C a -22 °C (+68 °F a -8 °F)
Classe de climatização:	N, T
Temperatura ambiente:	+16 °C a +43 °C (+61 °F a +110 °F)
USB:	5 V===, 2 A
Gama de frequência:	Wi-Fi: 2412 MHz – 2472 MHz/2422 MHz – 2462 MHz Bluetooth/BLE: 2402 MHz – 2480 MHz
Banda de frequência (Wi-Fi):	2,4 GHz
Potência de saída RF:	Wi-Fi: 16,62 dBm (802.11b), 16,23 dBm (802.11g), 16,45 dBm (802.11n20), 16,02 dBm (802.11n40) Bluetooth: 8,31 dBm Bluetooth LE: 6,67 dBm
Quantidade de agente de refrigeração:	60 g
Equivalente a CO ₂ :	0,086 t
Potencial de aquecimento global (PAG):	1430
Dimensões (L x P x A) em mm (incluindo pegas):	962 x 530 x 472
Peso:	29,6 kg

O circuito de refrigeração contém R134a.

Este produto contém gases fluorados com efeito de estufa.

A unidade de refrigeração está hermeticamente fechada.

O equipamento de rádio Dometic CFX3 25 a CFX3 100 cumpre os requisitos da diretiva 2014/53/UE. A Declaração de Conformidade do seu aparelho está disponível em documents.dometic.com.

Leggere attentamente e seguire tutte le istruzioni, le linee guida e le avvertenze incluse in questo manuale del prodotto, per assicurarsi che il prodotto venga sempre installato, utilizzato e mantenuto nel modo corretto. Queste istruzioni DEVONO essere conservate insieme al prodotto.

Utilizzando il prodotto, l'utente conferma di aver letto attentamente tutte le istruzioni, le linee guida e le avvertenze e di aver compreso e accettato di rispettare i termini e le condizioni qui espressamente indicati. L'utente accetta di utilizzare questo prodotto solo per lo scopo e l'applicazione previsti e in conformità con le istruzioni, le linee guida e le avvertenze indicate nel presente manuale del prodotto, nonché con tutte le leggi e i regolamenti applicabili. La mancata lettura e osservanza delle istruzioni e delle avvertenze qui espressamente indicate può causare lesioni personali e a terzi, danni al prodotto o ad altre proprietà nelle vicinanze. Il presente manuale del prodotto, comprese le istruzioni, le linee guida e le avvertenze e la relativa documentazione possono essere soggetti a modifiche e aggiornamenti. Per informazioni aggiornate sul prodotto, visitare il sito documents.dometic.com, dometic.com.

Indice

1	Spiegazione dei simboli	159
2	Istruzioni per la sicurezza	160
3	Dotazione	163
4	Accessori	163
5	Conformità d'uso	164
6	Descrizione del funzionamento	165
6.1	Funzioni	165
6.2	Elementi di comando e indicazione	166
7	Utilizzo	167
7.1	Prima della messa in funzione iniziale	167
7.2	Risparmio energetico	167
7.3	Inversione del senso di apertura del coperchio	168
7.4	Collegamento del frigorifero portatile	168
7.5	Utilizzo del frigorifero portatile	169
7.6	Utilizzo del display	169
7.7	Blocco/sblocco del display	170
7.8	Selezione delle unità di misura della temperatura	170
7.9	Regolazione della temperatura	170
7.10	Utilizzo del dispositivo di protezione della batteria	170
7.11	Impostazione della luminosità del display	171
7.12	Accensione o spegnimento degli scomparti (solo CFX3 75DZ, CFX3 95DZ)	171
7.13	Utilizzo dell'ice maker (solo CFX3 55IM)	171
7.14	Download della app CFX3	173
7.15	Impostazione del segnale Bluetooth e collegamento all'app	173
7.16	Impostazione del segnale WiFi e collegamento all'app	174
7.17	Cambio del nome e della password CFX nell'app	174
7.18	Ripristino della password dell'app (solo WiFi)	174

7.19	Ripristino delle impostazioni di fabbrica	174
7.20	Porta USB per l'alimentazione	175
7.21	Sbrinamento del frigorifero portatile	175
7.22	Sostituzione del fusibile CA	175
7.23	Sostituzione del fusibile CC	176
7.24	Sostituzione del fusibile della spina di corrente continua	176
7.25	Sostituzione del circuito stampato delle luci	176
8	Pulizia e cura	176
9	Eliminazione dei guasti	177
10	Garanzia	181
11	Smaltimento	181
12	Specifiche tecniche.	182

1 Spiegazione dei simboli



PERICOLO!

Istruzione per la sicurezza: indica una situazione di pericolo che, se non evitata, provoca lesioni gravi o mortali.



AVVERTENZA!

Istruzione per la sicurezza: indica una situazione di pericolo che, se non evitata, può provocare lesioni gravi o mortali.



ATTENZIONE!

Istruzione per la sicurezza: indica una situazione di pericolo che, se non evitata, può provocare lesioni di entità lieve o moderata.



AVVISO!

Indica una situazione di pericolo che, se non evitata, può provocare danni alle cose.



NOTA

Informazioni supplementari relative all'impiego del prodotto.

2 Istruzioni per la sicurezza



PERICOLO! La mancata osservanza di queste avvertenze può causare la morte o lesioni gravi.

Pericolo di scosse elettriche

- Per le imbarcazioni: con il collegamento alla rete fare in modo che l'alimentazione elettrica sia sempre controllata da un interruttore differenziale.
- Non toccare mai i cavi esposti a mani nude. Questo vale soprattutto per il funzionamento con rete di alimentazione CA.
- Prima della messa in funzione dell'apparecchio, assicurarsi che la rete di alimentazione e la spina siano asciutte.



AVVERTENZA! La mancata osservanza di queste avvertenze potrebbe causare la morte o lesioni gravi.

Pericolo di scosse elettriche

- Non mettere in funzione il frigorifero se presenta danni visibili.
- Se il cavo di alimentazione di questo frigorifero è danneggiato, deve essere sostituito per evitare pericoli per la sicurezza.
- Questo frigorifero può essere riparato solo da personale qualificato. Riparazioni eseguite non correttamente possono creare considerevoli rischi.
- Collegare l'apparecchio a prese che garantiscano una connessione adeguata, soprattutto quando l'apparecchio deve essere collegato alla massa.

Pericolo di incendio

- Durante il posizionamento dell'apparecchio, assicurarsi che il cavo di alimentazione non venga bloccato o danneggiato.
- Non collocare prese multiple portatili o alimentatori portatili sul retro dell'apparecchio.
- Assicurare che le aperture di ventilazione nell'alloggiamento dell'apparecchio o nelle strutture da incasso non siano ostruite.
- Non utilizzare oggetti metallici o altri strumenti per cercare di accelerare il processo di sbrinamento, a meno che non siano consigliati dal produttore a tale scopo.
- Non danneggiare il circuito di raffreddamento.

Pericolo per la salute

- Questo apparecchio può essere utilizzato da bambini di età superiore a 8 anni, da persone con ridotte capacità fisiche, sensoriali o mentali o da persone inesperte o prive di conoscenze specifiche solo se sorvegliate o preventivamente istruite sull'impiego dell'apparecchio in sicurezza e se informate dei pericoli legati al prodotto stesso.
- I bambini non devono giocare con l'apparecchio.
- La pulizia e la manutenzione non devono essere eseguite da bambini senza la presenza di un adulto.
- I bambini dai 3 agli 8 anni possono caricare e scaricare i frigoriferi portatili.

Pericolo di esplosione

- Non conservare nel frigorifero sostanze esplosive come ad es. bombolette spray con gas propellente infiammabile.



ATTENZIONE! La mancata osservanza di queste precauzioni potrebbe causare lesioni lievi o moderate.

Pericolo di scosse elettriche

- Scollegare il frigorifero dall'alimentazione elettrica
 - prima di effettuare la pulizia e la cura
 - e dopo ogni utilizzo

Pericolo per la salute

Per evitare la contaminazione degli alimenti, rispettare le seguenti istruzioni:

- Controllare che la capacità di raffreddamento dell'apparecchio sia conforme ai requisiti dei generi alimentari o dei medicinali che si desidera raffreddare.
- I generi alimentari possono essere conservati solo nelle confezioni originali o in contenitori adatti.
- L'apertura prolungata del frigorifero può causare un significativo aumento della temperatura nei vani dell'apparecchio.
- Pulire regolarmente le superfici che vengono a contatto con gli alimenti e i sistemi di scarico accessibili.
- Se l'apparecchio viene lasciato vuoto per lunghi periodi:
 - Spegnerlo l'apparecchio.
 - Sbrinare l'apparecchio.
 - Pulire e asciugare l'apparecchio.
 - Lasciare il coperchio aperto per evitare lo sviluppo di muffe all'interno dell'apparecchio.

**AVVISO! Rischio di danni**

- Verificare che i dati della tensione riportati sulla targhetta dei dati corrispondano a quelli relativi all'alimentazione elettrica.
- Collegare il frigorifero solo nel modo seguente:
 - con il cavo di collegamento della corrente continua a una rete di corrente continua nel veicolo.
 - oppure collegando il cavo di collegamento CA alla rete di alimentazione in corrente alternata.
- Non estrarre mai la spina dalla presa tirando il cavo.
- Se il frigorifero portatile è collegato a una presa di corrente continua, staccare il frigorifero e le altre utenze elettriche dalla batteria prima di collegare il caricabatterie rapido.
- Se il frigorifero portatile è collegato a una presa di corrente continua, staccare il frigorifero o spegnerlo quando il motore viene spento. Altrimenti la batteria si può scaricare.
- Il frigorifero non è adatto per il trasporto di materiale caustico o materiali contenenti solventi.
- L'isolamento del frigorifero contiene ciclopentano infiammabile e necessita di procedure speciali per lo smaltimento. Al termine del suo ciclo di vita consegnare il frigorifero portatile presso un centro di riciclaggio adatto.
- Non utilizzare apparecchi elettrici all'interno del frigorifero, a eccezione di quelli appositamente consigliati dallo stesso produttore.
- Non posizionare il frigorifero in prossimità di fiamme libere o di altre fonti di calore (radiatori, diretta esposizione ai raggi solari, forni a gas ecc.).
- **Rischio di surriscaldamento!**

Assicurarsi che ci sia sempre una ventilazione minima di 50 mm su tutti i quattro lati del frigorifero. Mantenere l'area di ventilazione priva di oggetti che potrebbero limitare il flusso d'aria verso i componenti di raffreddamento.

Non collocare il frigorifero in scomparti chiusi o aree con flusso d'aria assente o minimo.
- Fare attenzione che le aperture di aerazione non vengano coperte.
- Non versare nessun tipo di liquido o ghiaccio nel contenitore interno.
- Non immergere mai il frigorifero in acqua.
- Proteggere il frigorifero portatile e il cavo dal caldo e dall'umidità.
- Non esporre l'apparecchio alla pioggia.

3 Dotazione

Posizione nella fig. 1, pagina 3	Quantità	Descrizione
1	1	Frigorifero portatile
2	1	Cavo di collegamento per corrente continua
3	1	Cavo di collegamento per corrente alternata

4 Accessori

Disponibili come accessorio (non in dotazione):

Denominazione	N. art.	Modello
Copertura di protezione		
CFX3 25PC	9600028749	CFX3 25
CFX3 35PC	9600028455	CFX3 35
CFX3 45PC	9600028456	CFX3 45
CFX3 55PC	9600028457	CFX3 55
		CFX3 55IM
CFX3 75PC	9600028458	CFX3 75DZ
CFX3 95PC	9600028459	CFX3 95DZ
CFX3 100PC	9600028460	CFX3 100
Scivolo frigorifero		
CFX3 SLD3545	9600028548	CFX3 35
		CFX3 45
CFX3 SLD55	9600028549	CFX3 55
		CFX3 55IM
CFX3 SLD75	9600028550	CFX3 75DZ
CFX3 SLD95100	9600028551	CFX3 95DZ
		CFX3 100

Denominazione	N. art.	Modello
App CFX3	–	Per tutti i modelli
PLB40	9600012878	Per tutti i modelli

Si noti che l'app CFX3 potrebbe non essere disponibile nel proprio paese.

5 Conformità d'uso

Il frigorifero portatile è adatto per raffreddare generi alimentari. Il frigorifero portatile è anche adatto per l'uso su veicoli. Il frigorifero portatile è stato ideato per il funzionamento con una presa di corrente continua di un veicolo o con una rete di alimentazione alternata.

Il frigorifero portatile è adatto anche per l'uso in campeggio.

Il frigorifero portatile è destinato a essere utilizzato in applicazioni domestiche e simili, quali

- aree cucina del personale in negozi, uffici e altri ambienti di lavoro
- agriturismi
- clienti in hotel, motel e altri ambienti di tipo residenziale
- ambienti di tipo bed and breakfast
- catering e applicazioni simili non al dettaglio

Il frigorifero portatile **non** è adatto per:

- la conservazione di sostanze corrosive, caustiche o contenenti solventi

Questo frigorifero portatile è adatto solo per l'uso e l'applicazione previsti in conformità con le presenti istruzioni.

Questo manuale fornisce le informazioni necessarie per la corretta installazione e/o il funzionamento del frigorifero portatile. Una cattiva installazione e/o un funzionamento o una manutenzione impropria comporteranno prestazioni insoddisfacenti e un possibile guasto.

Il produttore non si assume alcuna responsabilità per eventuali lesioni o danni al prodotto che derivino da:

- montaggio o collegamento non corretti, compresa la sovratensione
- manutenzione o uso non corretti di ricambi diversi da quelli originali forniti dal produttore
- modifiche al prodotto senza esplicita autorizzazione del produttore

- impiego per fini diversi rispetto a quelli descritti nel presente manuale

Dometic si riserva il diritto di modificare l'aspetto e le specifiche del prodotto.

6 Descrizione del funzionamento

Il raffreddamento avviene mediante un circuito di raffreddamento a bassa manutenzione e con compressore. Il generoso isolamento e il potente compressore assicurano un raffreddamento efficiente e rapido.

Il frigorifero è adatto per l'uso mobile.

Il frigorifero portatile può sopportare per brevi periodi un'inclinazione di 30°.

6.1 Funzioni

- Alimentazione con circuito di priorità per il collegamento alla rete di alimentazione a corrente alternata
- Dispositivo di protezione della batteria a tre livelli per proteggere la batteria del veicolo
- Il display con indicazione della temperatura in °C e °F
- Impostazione della temperatura a passi di 1 °C (1 °F)
- Funzione WiFi e Bluetooth integrata, quindi controllabile tramite un'app
- Maniglie richiudibili
- Caricabatterie USB per dispositivi portatili come i telefoni cellulari
- Cestino estraibile
- **Solo CFX3 55IM:** ice maker

6.2 Elementi di comando e indicazione

Arresto per il coperchio: fig. 2 1, pagina 3

Unità di comando (fig. 3, pagina 4):

Posizione	Descrizione	Spiegazione
1		<p>Accende il frigorifero portatile quando si preme brevemente il pulsante</p> <p>Spegne il frigorifero portatile se si tiene premuto il tasto per tre secondi</p> <p>Torna al menu precedente</p>
2	Display	<p>Mostra le informazioni</p> <p>AC : è collegata la rete di alimentazione a corrente alternata</p> <p>DCV : è collegata la rete di alimentazione a corrente continua</p> <p> : il Bluetooth è attivato</p> <p> : il WiFi è attivato</p> <p> : il display è bloccato</p> <p> : il compressore è in funzione</p> <p> : l'ice maker è in funzione (solo CFX3 55IM)</p>
3		<p>Premere  per navigare verso l'alto o per aumentare il valore selezionato.</p> <p>Premere  per navigare verso il basso o per diminuire il valore selezionato.</p> <p>Premere  e  contemporaneamente per 3 s per bloccare o sbloccare il display.</p>
4		<p>Premere per selezionare un menu o per salvare il valore selezionato.</p>

Prese di collegamento (fig. 4, pagina 4):

Posizione	Descrizione
1	Presa di collegamento per l'alimentazione di tensione alternata
2	Presa di collegamento per l'alimentazione di tensione continua
3	Portafusibili CC
4	Portafusibili CA

7 Utilizzo

Per evitare sprechi di cibo, considerare quanto segue:

- Ridurre al minimo le variazioni di temperatura. Aprire il frigorifero portatile solo se necessario e per il tempo necessario. Conservare gli alimenti in modo che l'aria possa continuare a circolare bene.
- Regolare la temperatura in base alla quantità e al tipo di alimenti.
- Gli alimenti possono facilmente assorbire o rilasciare odori o sapori. Conservare sempre gli alimenti coperti o chiusi in contenitori/bottiglie.

7.1 Prima della messa in funzione iniziale

**NOTA**

Per motivi igienici, prima della messa in funzione iniziale del frigorifero portatile, pulirne l'interno e l'esterno con un panno umido (vedi anche capitolo "Pulizia e cura" a pagina 176).

7.2 Risparmio energetico

- Scegliere un luogo di sosta ben aerato e riparato dai raggi solari.
- Lasciare raffreddare i cibi caldi prima di metterli nel frigorifero portatile per congelarli.
- Non aprire il frigorifero più spesso del necessario.
- Non lasciare il frigorifero portatile aperto più a lungo del necessario.
- Se il frigorifero portatile ha un cestino: per un consumo energetico ottimale, posizionare il cestino in base alla sua posizione al momento della consegna.
- Controllare regolarmente che la guarnizione del coperchio aderisca bene.

7.3 Inversione del senso di apertura del coperchio

CFX3 55, CFX3 55IM, CFX3 100

- Procedere come illustrato (fig. **5**, pagina 5).

CFX3 75DZ, CFX3 95DZ

- Procedere come illustrato (fig. **6**, pagina 6).

7.4 Collegamento del frigorifero portatile



AVVISO! Rischio di danni

- Per proteggere l'apparecchio, il cavo di corrente continua fornito comprende un fusibile all'interno della spina. **Non** rimuovere la spina di corrente continua con fusibile. Utilizzare solo il cavo di corrente continua fornito in dotazione.
- Staccare il frigorifero portatile e le altre utenze dalla batteria prima di collegarla a un caricabatterie rapido. Le sovratensioni possono danneggiare il sistema elettronico dell'apparecchio.

Collegamento a una batteria

- Procedere come illustrato (fig. **7**, pagina 7).

Collegamento tramite cablaggio CC esteso (solo CFX3 100)

- Procedere come illustrato (fig. **8**, pagina 8).

Collegamento a una rete di alimentazione a corrente alternata



PERICOLO! Pericolo di scosse elettriche

- Non toccare mai spine e interruttori con le mani bagnate o se si sta con i piedi su una superficie bagnata.
- Se il frigorifero portatile si trova a bordo di un'imbarcazione ed è alimentato da una rete di alimentazione a corrente alternata, occorre inserire un interruttore differenziale di protezione fra la rete di alimentazione e il frigorifero portatile. Farsi consigliare da un esperto.

- Procedere come illustrato (fig. **9**, pagina 9).

7.5 Utilizzo del frigorifero portatile



AVVISO! Rischio di surriscaldamento

Assicurarsi che ci sia sempre sufficiente ventilazione in modo che il calore che si sviluppa durante il funzionamento possa essere dissipato. Fare attenzione che le griglie di aerazione non vengano coperte. Fare in modo che la distanza fra l'apparecchio e le pareti o altri oggetti sia tale da permettere all'aria di circolare.



NOTA

In caso di alimentazione tramite una batteria, il display si spegne automaticamente se la tensione di batteria è bassa.

- Accensione del frigorifero portatile: fig. **10**, pagina 9
- Spegnimento del frigorifero portatile: fig. **11**, pagina 10

7.6 Utilizzo del display

Stati del display (fig. **12**, pagina 10)

Posizione	Descrizione
A	Stand-by
B	Inattivo
C	Bloccato

Panoramica display: fig. **13**, pagina 11

Navigazione nei menu

Il menu evidenziato è selezionato.

- ▶ Premere  per navigare verso l'alto.
- ▶ Premere  per navigare verso il basso.

Selezione di un menu

- ▶ Premere  per selezionare il menu desiderato.

Modifica delle impostazioni

Il valore o l'impostazione evidenziati sono selezionati.

- ▶ Premere  per aumentare il valore selezionato o per scegliere l'impostazione precedente.
- ▶ Premere  per diminuire il valore selezionato o per scegliere l'impostazione successiva.

Ritorno al menu precedente

- ▶ Premere  per tornare al menu precedente senza salvare.

7.7 Blocco/sblocco del display

- ▶ Premere  e  contemporaneamente per 3 s per bloccare o sbloccare il display (fig. **14**, pagina 11).

7.8 Selezione delle unità di misura della temperatura

- ▶ Procedere come illustrato (fig. **15**, pagina 11).

7.9 Regolazione della temperatura



AVVISO! Pericolo di danni dovuti a temperature troppo basse

Assicurarsi che nel frigorifero portatile si trovino solo oggetti o prodotti che possono essere raffreddati alla temperatura selezionata.

- ▶ Procedere come illustrato (fig. **16**, pagina 12).

7.10 Utilizzo del dispositivo di protezione della batteria

L'apparecchio è dotato di un dispositivo di protezione della batteria a 3 stadi. Il dispositivo di protezione della batteria impedisce lo scaricamento eccessivo quando il dispositivo è collegato ad una batteria di avviamento del veicolo o massimizza l'uso di una batteria di alimentazione.

Se il frigorifero viene azionato nel veicolo con l'accensione disinserita, il frigorifero si spegne automaticamente non appena la tensione di alimentazione scende al di sotto di un valore impostabile. Il frigorifero portatile si riaccende non appena viene raggiunta la tensione di ripristino ottenuta caricando la batteria.

**AVVISO! Rischio di danni**

Quando viene spenta dal dispositivo di protezione della batteria, la batteria non viene più caricata completamente. Evitare avvii ripetuti. Assicurare che la batteria venga ricaricata.

**NOTA**

Se il frigorifero portatile è alimentato da una batteria di avviamento, selezionare la modalità "MEDIUM" o "HIGH" del dispositivo di protezione della batteria. Se il frigorifero è collegato a una batteria di alimentazione, l'ideale è la modalità di protezione della batteria "LOW".

- Procedere come illustrato (fig. **17**, pagina 13).

7.11 Impostazione della luminosità del display

- Procedere come illustrato (fig. **18**, pagina 13).

7.12 Accensione o spegnimento degli scomparti (solo CFX 3 75DZ, CFX 3 95DZ)

È possibile attivare ogni zona individualmente o entrambe.

- Procedere come illustrato (fig. **19**, pagina 14).

7.13 Utilizzo dell'ice maker (solo CFX 3 55IM)

**NOTA**

- Indipendentemente dall'impostazione della temperatura dello scomparto principale, la zona dell'ice maker è progettata per produrre cubetti di ghiaccio se l'ice maker è acceso.
- Il consumo energetico del frigorifero portatile aumenta con l'ice maker acceso. Pertanto si dovrebbe spegnere l'ice maker se non serve.
- L'impostazione di fabbrica dell'ice maker è OFF.

- Procedere come illustrato (fig. **20**, pagina 14).

Riempire d'acqua le vaschette del ghiaccio

- Rimuovere le vaschette del ghiaccio (fig. **21** 1, pagina 15) dall'alloggiamento dell'ice maker (fig. **21** 2, pagina 15).

- ▶ Togliere i coperchi delle vaschette del ghiaccio, riempire con acqua pulita e rimontare il coperchio, avendo cura di premere la guarnizione su tutto il bordo.
- ▶ Riposizionare le vaschette del ghiaccio nell'alloggiamento dell'ice maker e chiudere il coperchio.

**NOTA**

Asciugare l'acqua eventualmente fuoriuscita da sotto le vaschette di ghiaccio.
Questo ridurrà l'accumulo di ghiaccio sotto le vaschette e ne faciliterà la rimozione.

Rimozione dei cubetti di ghiaccio

- ▶ Aprire il coperchio dell'alloggiamento dell'ice maker e sollevare da sotto la parte anteriore delle vaschette del ghiaccio.

**NOTA**

In condizioni di elevata umidità, che può creare un blocco di ghiaccio sotto le vaschette del ghiaccio, la rimozione può richiedere una forza aggiuntiva e l'uso di due mani.

- ▶ Rimuovere i coperchi delle vaschette del ghiaccio e torcere le vaschette per liberare i cubetti di ghiaccio.

Rimozione dell'alloggiamento dell'ice maker

L'alloggiamento dell'ice maker può essere rimosso per la pulizia o quando non viene utilizzato per aumentare lo spazio utilizzabile all'interno del frigorifero portatile:

- ▶ Sollevare l'alloggiamento da una estremità finché le alette non si sganciano, quindi rimuoverlo.
- ▶ Invertire la procedura per il rimontaggio, spingendo verso il basso le alette per farle scattare in posizione.

Consigli per l'utilizzo dell'ice maker

- L'ice maker produce ghiaccio rapidamente per un certo numero di ore dopo l'accensione, poi entra automaticamente in una modalità di mantenimento del ghiaccio per ridurre il consumo energetico. Se è necessario produrre molto ghiaccio il più rapidamente possibile, spegnere e riaccendere l'ice maker per riportarlo alla modalità di produzione rapida del ghiaccio. Ripetere secondo necessità.

- Le impostazioni di bassa temperatura del congelatore nello scomparto principale potrebbero non essere mantenute in condizioni di temperatura ambiente elevata con l'ice maker acceso.

Pulizia e asciugatura dell'ice maker

- Quando non in uso, pulire e asciugare le vaschette del ghiaccio e l'interno dell'alloggiamento dell'ice maker per evitare la formazione di muffa.
- Dopo lunghi periodi di inutilizzo, pulire l'interno delle vaschette del ghiaccio con una soluzione detergente delicata e risciacquare con acqua pulita prima dell'uso.

7.14 Download della app CFX3

Il frigorifero portatile può essere monitorato e controllato via Bluetooth o WiFi utilizzando un'app da installare su un dispositivo compatibile.

- Scaricare l'applicazione CFX3 dall'App Store o da Google Play.



Si noti che l'app CFX3 potrebbe non essere disponibile nel proprio paese.

7.15 Impostazione del segnale Bluetooth e collegamento all'app

Il frigorifero portatile può essere monitorato e controllato via Bluetooth. Per farlo, è necessario abbinare il frigorifero portatile al dispositivo Bluetooth.



NOTA

- L'abbinamento deve essere effettuato all'interno della app CFX3, non nelle impostazioni del dispositivo.
- Non è richiesta alcuna password per il collegamento Bluetooth.

- Procedere come illustrato (fig. 22, pagina 15).

7.16 Impostazione del segnale WiFi e collegamento all'app

Il frigorifero portatile può essere monitorato e controllato tramite WiFi con collegamento diretto al frigorifero portatile o tramite una rete WiFi.

- ▶ Procedere come indicato (fig. **23**, pagina 16) per attivare il WiFi.
- ▶ Per il collegamento WiFi diretto al frigorifero portatile, andare nelle impostazioni del dispositivo e selezionare il frigorifero portatile.
 - Il nome WiFi del frigorifero portatile inizia con “CFX3”.
 - La password preimpostata è “**00000000**”.
 - È possibile personalizzare il nome WiFi e la password nella app CFX3.



NOTA

Per il collegamento tramite rete WiFi, andare a “network connection” (connessione di rete) nelle impostazioni della app.

7.17 Cambio del nome e della password CFX nell'app

- È possibile personalizzare il nome del proprio CFX nell'app.
- Lo stesso nome viene usato sia per il Bluetooth sia per il WiFi.
- È inoltre possibile personalizzare la password nell'app (solo WiFi).
- ▶ Procedere a “CFX name and password” (Nome e password CFX) nelle impostazioni dell'app.

7.18 Ripristino della password dell'app (solo WiFi)

È possibile ripristinare la password predefinita dell'app, “**00000000**”.

- ▶ Procedere come illustrato (fig. **23**, pagina 16).

7.19 Ripristino delle impostazioni di fabbrica

La funzione di ripristino riporta tutti i menu e i campi dell'app alle impostazioni predefinite.

- ▶ Procedere come illustrato (fig. **24**, pagina 16).

7.20 Porta USB per l'alimentazione

È possibile utilizzare la porta USB per ricaricare piccoli dispositivi (ad es. telefoni cellulari e lettori MP3).



NOTA

Assicurarsi che il piccolo dispositivo collegato alla presa USB sia idoneo per il funzionamento a 5 V/2 A.

- Procedere come illustrato (fig. **26**, pagina 17).

7.21 Sbrinamento del frigorifero portatile

L'umidità dell'aria può formare brina all'interno del frigorifero o sul vaporizzatore, riducendo così la capacità di raffreddamento. Sbrinare perciò l'apparecchio a tempo debito.



AVVISO! Rischio di danni

Non utilizzare mai attrezzi duri o appuntiti per rimuovere il ghiaccio o per staccare oggetti che sono rimasti congelati.

Per sbrinare il frigorifero, procedere come segue.

- Togliere il contenuto dal frigorifero portatile.
- Metterlo eventualmente in un altro frigorifero affinché si mantenga freddo.
- Spegnere l'apparecchio.
- Lasciare il coperchio aperto.
- Rimuovere l'acqua scongelata.

7.22 Sostituzione del fusibile CA



PERICOLO! Pericolo di scosse elettriche

Scollegare l'alimentazione e il cavo di collegamento prima di sostituire il fusibile dell'apparecchio.

- Scollegare l'alimentazione all'apparecchio.
- Estrarre il cavo di collegamento.
- Facendo leva con un cacciavite, estrarre il portafusibili (fig. **4** 4, pagina 4).
- Sostituire il fusibile guasto con uno nuovo dello stesso tipo e amperaggio (azione rapida, 4 A, 250 V).

- ▶ Premere di nuovo in sede il portafusibili.
- ▶ Ricollegare l'alimentazione all'apparecchio.

7.23 Sostituzione del fusibile CC

- ▶ Facendo leva con un cacciavite, sollevare il coperchio (fig. **4** 3, pagina 4).
- ▶ Girare il coperchio del fusibile e utilizzare un gancio per rimuovere il fusibile a innesto piatto difettoso.
- ▶ Inserire un nuovo fusibile dello stesso tipo e amperaggio.
- ▶ Riapplicare il coperchio del fusibile.

7.24 Sostituzione del fusibile della spina di corrente continua

- ▶ Sostituire il fusibile difettoso con uno nuovo dello stesso tipo e amperaggio.
- ▶ Procedere come illustrato (fig. **27**, pagina 17).

7.25 Sostituzione del circuito stampato delle luci



AVVISO! Rischio di danni

Per prevenire rischi, la lampadina può essere sostituita soltanto dal produttore, da un tecnico di assistenza o da una persona dotata di qualifica analoga.

8 Pulizia e cura



AVVISO! Rischio di danni

- Non lavare mai il frigorifero sotto acqua corrente e non immergerlo in acqua.
- Per la pulizia non impiegare detersivi corrosivi oppure oggetti duri, perché potrebbero danneggiare il frigorifero.

- ▶ Pulire l'interno e l'esterno dell'apparecchio di raffreddamento di tanto in tanto con un panno umido.

- Assicurarsi che le aperture di aerazione e disaerazione dell'apparecchio siano prive di polvere e sporcia da permettere al calore generato durante il funzionamento di fuoriuscire e non danneggiare l'apparecchio.

9 Eliminazione dei guasti

Guasto	Possibile causa	Rimedio
L'apparecchio non funziona (modo CC, accensione attivata).	Nessuna tensione rilevata nella presa CC.	nella maggior parte dei veicoli occorre attivare l'accensione prima che la presa CC venga alimentata.
	La presa CC è sporca. Questo provoca un contatto elettrico insufficiente.	Se la spina dell'apparecchio inserita nella presa CC si scalda molto, significa che è necessario pulirla o che non è stata montata correttamente.
	Il fusibile della spina CC si è bruciato.	Sostituire il fusibile della spina per corrente continua, vedi capitolo "Sostituzione del fusibile CC" a pagina 176.
	Il fusibile CC dell'apparecchio si è bruciato.	Sostituire il fusibile CC dell'apparecchio, vedi capitolo "Sostituzione del fusibile CC" a pagina 176.
	Il fusibile del veicolo è bruciato.	Sostituire il fusibile della presa per corrente continua del veicolo. Fare riferimento al manuale di istruzioni del veicolo.
L'apparecchio non funziona (modo CA).	Nella presa CA non c'è tensione.	Provare a collegare il dispositivo a un'altra presa a spina.
	Il fusibile CA dell'apparecchio si è bruciato.	Sostituire il fusibile CA dell'apparecchio, vedi capitolo "Sostituzione del fusibile CA" a pagina 175.
	L'alimentatore CA integrato è difettoso.	I lavori di riparazione devono essere effettuati solo da un centro riparazioni autorizzato.
Il display non risponde alla pressione dei tasti.	Il display è bloccato.	Sbloccare il display, vedi capitolo "Blocco/sblocco del display" a pagina 170.

Guasto	Possibile causa	Rimedio
L'app non riesce a comandare il dispositivo.	Bluetooth o WiFi non sono collegati.	Collegare il Bluetooth, vedi capitolo "Impostazione del segnale Bluetooth e collegamento all'app" a pagina 173, o il WiFi, vedi capitolo "Impostazione del segnale WiFi e collegamento all'app" a pagina 174.
Il display mostra un messaggio di avviso o un codice di avvertimento.	–	Vedi la tabella sotto.

Messaggi di avviso

Ad esempio, vedi fig. 25 A, pagina 16.

Messaggio di avviso	Descrizione	Possibile causa	Rimedio
!ALERT - Lid open > 3 min	Coperchio aperto più di 3 minuti	<ul style="list-style-type: none"> • Coperchio non completamente chiuso • Guasto interno 	<ul style="list-style-type: none"> • Controllare che il coperchio sia completamente chiuso • È necessaria un'ispezione da parte di un centro di riparazione autorizzato

Messaggio di avviso	Descrizione	Possibile causa	Rimedio
!ALERT - Voltage low	L'apparecchio ha smesso di funzionare in CC a causa della bassa tensione	<ul style="list-style-type: none"> • Tensione di alimentazione insufficiente • Tensione della batteria insufficiente • È impostata una protezione della batteria troppo alta 	<ul style="list-style-type: none"> • Controllare la caduta di tensione dalla batteria alla presa di corrente e aumentare il calibro del filo se necessario • Controllare la batteria ed eventualmente ricaricarla • Selezionare un'impostazione più bassa del dispositivo di protezione della batteria
	L'apparecchio ha smesso di funzionare con la corrente continua a causa di un tensione estremamente elevata > 31,5 V (evento improbabile – esclusivamente per la protezione di elettricisti – usare lo stesso messaggio di avviso come quello per la bassa tensione di cui sopra)	<ul style="list-style-type: none"> • Specifica alimentazione di tensione CC errata • Alimentazione di tensione difettosa • Guasto interno 	<ul style="list-style-type: none"> • Assicurarsi che la specifica della tensione di alimentazione CC corrisponda alla classificazione riportata sulla targhetta dati del prodotto CFX3 • Controllare l'alimentazione di tensione CC e riparare o sostituire in caso di funzionamento difettoso • È necessaria un'ispezione da parte di un centro di riparazione autorizzato

Codici di avvertimento

Ad esempio, vedi fig. 25 B, pagina 16.

Codice di avvertimento	Guasto	Possibile causa	Rimedio
!WARNING 32	Sovraccorrente della ventola	Guasto interno	Spegnere l'apparecchio per almeno 5 minuti, quindi riaccenderlo. Se il problema persiste, è necessaria l'ispezione di un centro di riparazione autorizzato
!WARNING 33	Errore di avviamento del compressore		
!WARNING 34	Velocità del compressore bassa	<ul style="list-style-type: none"> • Temperatura ambiente elevata 	<ul style="list-style-type: none"> • Spegnere l'apparecchio per almeno 30 minuti, o spostarsi in un luogo più fresco, quindi riaccenderlo
!WARNING 35	Sovratemperatura del controller	<ul style="list-style-type: none"> • Presa d'aria bloccata o spazio insufficiente • Guasto interno 	<ul style="list-style-type: none"> • Liberare le prese d'aria • È necessaria un'ispezione da parte di un centro di riparazione autorizzato
!WARNING 01	NTC interrotto SZ & DZ LARGE	Guasto interno	È necessaria un'ispezione da parte di un centro di riparazione autorizzato
!WARNING 11	NTC interrotto DZ SMALL		
!WARNING 02	NTC in cortocircuito SZ & DZ LARGE		
!WARNING 12	NTC in cortocircuito DZ SMALL		
!WARNING 09	Valvola DZ o valvola ice maker difettose		Spegnere l'apparecchio per almeno 1 minuto, quindi riaccenderlo. Se il problema persiste, è necessaria l'ispezione di un centro di riparazione autorizzato
!WARNING 03/43	Errore di comunicazione		

10 Garanzia

Vale il termine di garanzia previsto dalla legge. Se il prodotto è difettoso, contattare il proprio rivenditore o la filiale del fabbricante nel proprio Paese (vedi dometic.com/dealer).

Per la gestione della riparazione e della garanzia è necessario inviare la seguente documentazione insieme al prodotto:

- una copia della ricevuta con la data di acquisto,
- il motivo della richiesta o la descrizione del problema

11 Smaltimento



AVVERTENZA! Pericolo di intrappolamento di bambini

Prima di smaltire il vecchio frigorifero:

- smontare il coperchio.
- Lasciare i cestini montati in modo che i bambini non riescano a salire all'interno.

Riciclaggio del materiale da imballaggio



- Smaltire il materiale di imballaggio possibilmente negli appositi contenitori di riciclaggio.

Riciclaggio di prodotti con batterie non sostituibili, batterie ricaricabili o fonti di luce



- Se il prodotto contiene batterie non sostituibili, batterie ricaricabili o fonti di luce, non è necessario rimuoverle prima dello smaltimento.



- Per smaltire definitivamente il prodotto, informarsi presso il centro di riciclaggio più vicino o presso il proprio rivenditore specializzato sulle norme relative allo smaltimento.



- È possibile smaltire il prodotto gratuitamente.

12 Specifiche tecniche

**NOTA**

La temperatura minima indicata in “Capacità di raffreddamento” non può essere raggiunta se la temperatura ambiente è superiore a 32 °C (90 °F) per i modelli CFX3 25/35/45/55/55IM/100 o la temperatura ambiente è superiore a 30 °C (86 °F) per i modelli CFX3 75DZ/95DZ (impostare bassa -22 °C/alta +4 °C).

Certificati di controllo:



	CFX3 25	CFX3 35
Tensione di allacciamento:	12/24 V \equiv 100-240 V \sim	
Corrente nominale:	12 V \equiv : 6,5 A 24 V \equiv : 3,2 A 100 V \sim : 0,90 A 240 V \sim : 0,38 A	12 V \equiv : 7,5 A 24 V \equiv : 3,3 A 100 V \sim : 0,94 A 240 V \sim : 0,39 A
Capacità di raffreddamento:	da +20 °C a -22 °C (da +68 °F a -8 °F)	
Classe climatica:	N, T	
Temperatura ambiente:	da +16 °C a +43 °C (da +61 °F a +110 °F)	
Porta di ricarica USB:	5 V \equiv , 2 A	
Banda di frequenza:	WiFi: 2412 MHz – 2472 MHz/2422 MHz – 2462 MHz Bluetooth/BLE: 2402 MHz – 2480 MHz	
Banda di frequenza (WiFi):	2,4 GHz	
Potenza di uscita RF:	WiFi: 16,62 dBm (802.11b), 16,23 dBm (802.11g), 16,45 dBm (802.11n20), 16,02 dBm (802.11n40) Bluetooth: 8,31 dBm Bluetooth LE: 6,67 dBm	
Quantità di refrigerante:	32 g	38 g
CO ₂ equivalente:	0,046 t	0,054 t
Potenziale di riscaldamento globale (GWP):	1430	
Dimensioni (L x P x A) in mm (maniglie comprese):	342 x 569 x 420	398 x 694 x 407
Peso:	12,7 kg	16,9 kg

	CFX3 45	CFX3 55
Tensione di allacciamento:	12/24 V \equiv 100-240 V \sim	
Corrente nominale:	12 V \equiv : 8,2 A 24 V \equiv : 3,5 A 100 V \sim : 0,96 A 240 V \sim : 0,40 A	12 V \equiv : 8,7 A 24 V \equiv : 3,7 A 100 V \sim : 0,98 A 240 V \sim : 0,41 A
Capacità di raffreddamento:	da +20 °C a -22 °C (da +68 °F a -8 °F)	
Classe climatica:	N, T	
Temperatura ambiente:	da +16 °C a +43 °C (da +61 °F a +110 °F)	
Porta di ricarica USB:	5 V \equiv , 2 A	
Banda di frequenza:	WiFi: 2412 MHz – 2472 MHz/2422 MHz – 2462 MHz Bluetooth/BLE: 2402 MHz – 2480 MHz	
Banda di frequenza (WiFi):	2,4 GHz	
Potenza di uscita RF:	WiFi: 16,62 dBm (802.11b), 16,23 dBm (802.11g), 16,45 dBm (802.11n20), 16,02 dBm (802.11n40) Bluetooth: 8,31 dBm Bluetooth LE: 6,67 dBm	
Quantità di refrigerante:	42 g	45 g
CO ₂ equivalente:	0,060 t	0,064 t
Potenziale di riscaldamento globale (GWP):	1430	
Dimensioni (L x P x A) in mm (maniglie comprese):	398 x 694 x 476	720 x 455 x 480
Peso:	18,7 kg	20,4 kg

	CFX3 55IM	CFX3 75DZ	CFX3 95DZ
Tensione di allacciamento:	12/24 V=== 100-240 V~		
Corrente nominale:	12 V===: 8,9 A 24 V===: 3,8 A 100 V~: 1,00 A 240 V~: 0,42 A	12 V===: 9,6 A 24 V===: 4,2 A 100 V~: 1,12 A 240 V~: 0,47 A	12 V===: 10,4 A 24 V===: 4,6 A 100 V~: 1,22 A 240 V~: 0,51 A
Capacità di raffreddamento:	da +20 °C a -22 °C (da +68 °F a -8 °F)		
Classe climatica:	N, T		
Temperatura ambiente:	da +16 °C a +43 °C (da +61 °F a +110 °F)		
Porta di ricarica USB:	5 V===, 2 A		
Banda di frequenza:	WiFi: 2412 MHz – 2472 MHz/2422 MHz – 2462 MHz Bluetooth/BLE: 2402 MHz – 2480 MHz		
Banda di frequenza (WiFi):	2,4 GHz		
Potenza di uscita RF:	WiFi: 16,62 dBm (802.11b), 16,23 dBm (802.11g), 16,45 dBm (802.11n20), 16,02 dBm (802.11n40) Bluetooth: 8,31 dBm Bluetooth LE: 6,67 dBm		
Quantità di refrigerante:	45 g	59 g	67 g
CO ₂ equivalente:	0,064 t	0,084 t	0,096 t
Potenziale di riscaldamento globale (GWP):	1430		
Dimensioni (L x P x A) in mm (maniglie comprese):	720 x 455 x 480	892 x 495 x 472	962 x 530 x 472
Peso:	21,3 kg	27,8 kg	29,8 kg

	CFX3 100
Tensione di allacciamento:	12/24 V=== 100-240 V~
Corrente nominale:	12 V===: 10,8 A 24 V===: 4,8 A 100 V~: 1,28 A 240 V: 0,53 A
Capacità di raffreddamento:	da +20 °C a -22 °C (da +68 °F a -8 °F)
Classe climatica:	N, T
Temperatura ambiente:	da +16 °C a +43 °C (da +61 °F a +110 °F)
USB:	5 V===, 2 A
Banda di frequenza:	WiFi: 2412 MHz – 2472 MHz/2422 MHz – 2462 MHz Bluetooth/BLE: 2402 MHz – 2480 MHz
Banda di frequenza (WiFi):	2,4 GHz
Potenza di uscita RF:	WiFi: 16,62 dBm (802.11b), 16,23 dBm (802.11g), 16,45 dBm (802.11n20), 16,02 dBm (802.11n40) Bluetooth: 8,31 dBm Bluetooth LE: 6,67 dBm
Quantità di refrigerante:	60 g
CO ₂ equivalente:	0,086 t
Potenziale di riscaldamento globale (GWP):	1430
Dimensioni (L x P x A) in mm (maniglie comprese):	962 x 530 x 472
Peso:	29,6 kg

Il circuito di raffreddamento contiene R134a.

Questo prodotto contiene gas fluorurati ad effetto serra.

Il gruppo refrigerante è sigillato ermeticamente.

L'apparecchiatura radio Dometic da CFX3 25 a CFX3 100 soddisfa i requisiti della direttiva 2014/53/UE. La dichiarazione di conformità del dispositivo è disponibile in documents.dometic.com.

Lees deze gebruiksaanwijzing zorgvuldig door en volg alle instructies, richtlijnen en waarschuwingen in deze handleiding op om ervoor te zorgen dat u het product te allen tijde op de juiste manier installeert, gebruikt en onderhoudt. Deze gebruiksaanwijzing MOET bij dit product bewaard worden.

Door het product te gebruiken, bevestigt u hierbij dat u alle instructies, richtlijnen en waarschuwingen zorgvuldig hebt gelezen en dat u de voorwaarden zoals hierin beschreven begrijpt en accepteert. U gaat ermee akkoord dit product alleen te gebruiken voor het beoogde doel en de beoogde toepassing en in overeenstemming met de instructies, richtlijnen en waarschuwingen zoals beschreven in deze gebruiksaanwijzing en in overeenstemming met de geldende wet- en regelgeving. Het niet lezen en opvolgen van de hierin beschreven instructies en waarschuwingen kan leiden tot letsel voor uzelf en anderen, schade aan uw product of schade aan andere eigendommen in de omgeving. Deze gebruiksaanwijzing, met inbegrip van de instructies, richtlijnen en waarschuwingen, en de bijbehorende documentatie kan onderhevig zijn aan wijzigingen en updates. Actuele productinformatie vindt u op documents.dometic.com, dometic.com.

Inhoudsopgave

1	Verklaring van de symbolen	188
2	Veiligheidsaanwijzingen	189
3	Omvang van de levering	192
4	Toebehoren	192
5	Beoogd gebruik	193
6	Functiebeschrijving	194
6.1	Functies	194
6.2	Bedienings- en indicatie-elementen	195
7	Gebruik	196
7.1	Voorafgaand aan het eerste gebruik	196
7.2	Energie besparen	196
7.3	Openingsrichting van deksel omkeren	197
7.4	Koelbox aansluiten	197
7.5	Koelbox gebruiken	198
7.6	Display gebruiken	198
7.7	Display vergrendelen/ontgrendelen	199
7.8	Temperatuureenheden selecteren	199
7.9	Temperatuur instellen	199
7.10	Accubeveiliging gebruiken	199
7.11	Displayhelderheid instellen	200
7.12	Compartimenten in- of uitschakelen (alleen CFX 3 75DZ, CFX 3 95DZ) 200	
7.13	De ijsmaker gebruiken (alleen CFX 3 55IM)	200
7.14	De CFX3-app downloaden	202
7.15	Bluetooth-signaal instellen en app verbinden	202
7.16	Wifi-signaal instellen en app verbinden	202
7.17	Naam en wachtwoord CFX in de app wijzigen	202

7.18	App-wachtwoord resetten (alleen wifi)	203
7.19	Fabrieksinstellingen resetten	203
7.20	USB-aansluiting voor stroomvoorziening.	203
7.21	Koelbox ontdoien	203
7.22	Wisselstroomzekering vervangen	204
7.23	Gelijkstroom-zekering vervangen	204
7.24	Zekering van gelijkstroomstekker vervangen	204
7.25	Lichtprintplaat vervangen	205
8	Reiniging en onderhoud.	205
9	Verhelpen van storingen.	206
10	Garantie	209
11	Afvoer	209
12	Technische gegevens.	210

1 Verklaring van de symbolen



GEVAAR!

Veiligheidsaanwijzing: duidt op een gevaarlijke situatie die, indien deze niet wordt voorkomen, leidt tot ernstig letsel of de dood.



WAARSCHUWING!

Veiligheidsaanwijzing: duidt op een gevaarlijke situatie die, indien deze niet wordt voorkomen, kan leiden tot ernstig letsel of de dood.



VOORZICHTIG!

Veiligheidsaanwijzing: duidt op een gevaarlijke situatie die, indien deze niet wordt voorkomen, kan leiden tot licht of matig letsel.



LET OP!

Duidt op een situatie die, indien deze niet wordt voorkomen, kan leiden tot materiële schade.



INSTRUCTIE

Aanvullende informatie voor het gebruik van het product.

2 Veiligheidsaanwijzingen



GEVAAR! Het niet in acht nemen van deze waarschuwingen leidt tot ernstig letsel of de dood.

Gevaar voor elektrische schokken

- Op boten: als uw toestel op het stroomnet is aangesloten, dient u er absoluut voor te zorgen dat de stroomtoevoer via een aardlekschakelaar beveiligd is.
- Raak blanke leidingen nooit met blote handen aan. Dit geldt vooral bij gebruik op het wisselstroomnet.
- Let er voor de ingebruikname op dat voedingskabel en stekker droog zijn.



WAARSCHUWING! Het niet in acht nemen van deze waarschuwingen kan leiden tot ernstig letsel of de dood.

Gevaar voor elektrische schokken

- Gebruik het koeltoestel niet, als het zichtbaar beschadigd is.
- Als de stroomkabel van deze koelbox beschadigd is, moet deze worden vervangen om gevaren te voorkomen.
- Dit koeltoestel mag uitsluitend worden gerepareerd door bevoegd personeel. Ondeskundige reparaties kunnen leiden tot aanzienlijke gevaren.
- Sluit het toestel aan op contactdozen die een goede verbinding garanderen, met name wanneer het toestel moet worden geaard.

Brandgevaar

- Zorg er bij het positioneren van het toestel voor dat de voedingskabel niet verstrikt of beschadigd raakt.
- Plaats geen meervoudige stekkerdozen of draagbare voedingen achter het toestel.
- Houd de ventilatieopeningen van apparaatbehuizingen of inbouwconstructies vrij van hindernissen.
- Gebruik geen mechanische voorwerpen of andere middelen om het ontdooiingsproces te versnellen, tenzij de fabrikant dit aanbeveelt.
- Beschadig de koelkring niet.

Gevaar voor de gezondheid

- Dit toestel mag worden gebruikt door kinderen vanaf 8 jaar en ouder evenals door personen met verminderd fysiek, zintuiglijk of mentaal vermogen of gebrek aan kennis en ervaring, mits zij onder toezicht staan of zijn geïnstrueerd in het veilig gebruik van het toestel en zij inzicht hebben in de gevaren die het gebruik van het toestel met zich meebrengt.
- Kinderen mogen niet met het toestel spelen.
- Reiniging en gebruikersonderhoud mogen niet door kinderen zonder toezicht worden uitgevoerd.
- Kinderen van 3 tot 8 jaar mogen koeltoestellen in- en uitruimen.

Explosiegevaar

- Bewaar geen explosiegevaarlijke stoffen zoals spuitbussen met een ontvlambaar drijfgas in het koeltoestel.

**VOORZICHTIG! Het niet in acht nemen van deze waarschuwingen kan leiden tot licht of matig letsel.****Gevaar voor elektrische schokken**

- Ontkoppel het koeltoestel van de stroomvoorziening
 - voor elke reiniging en elk onderhoud
 - na elk gebruik

Gevaar voor de gezondheid

Om verontreiniging van voedsel te voorkomen, de volgende instructies in acht nemen:

- Controleer of het koelvermogen van het toestel voldoet aan de eisen van de levensmiddelen of geneesmiddelen die u wilt koelen.
- Levensmiddelen mogen alleen in de originele verpakking of in geschikte bakken worden bewaard.
- Langdurig openen van het koeltoestel kan leiden tot een aanzienlijke temperatuurstijging in de compartimenten van het toestel.
- Reinig oppervlakken die in contact komen met voedsel en aftapsystemen regelmatig.
- Als het toestel voor een langere periode leeg wordt gehouden:
 - Schakel het toestel uit.
 - Ontdooi het toestel.
 - Reinig en droog het toestel.
 - Laat het deksel open om schimmelvorming in het toestel te voorkomen.

**LET OP! Gevaar voor schade**

- Vergelijk de spanningsgegevens op het typeplaatje met de beschikbare energievoorziening.
- Sluit het koeltoestel alleen als volgt aan:
 - Sluit de gelijkstroomaansluitkabel aan op een gelijkstroomvoeding in het voertuig
 - Of sluit de wisselstroomaansluitkabel aan op een wisselstroomvoeding
- Trek de stekker nooit aan de kabel uit het stopcontact.
- Als het koeltoestel is aangesloten op een gelijkstroomcontactdoos, koppelt u het koeltoestel en andere verbruikers los van de accu voordat u een snellader aansluit.
- Als het koeltoestel is aangesloten op een gelijkstroomcontactdoos, koppelt u het koeltoestel los of schakelt u het uit wanneer u de motor uitzet. Anders kan de voertuigaccu leeg raken.
- Het koeltoestel is niet geschikt voor het transporteren van bijtende materialen of materialen die oplosmiddelen bevatten.
- De isolatie van het koeltoestel bevat ontvlambaar cyclopentaan en vereist speciale verwerkingsprocedures. Breng het koeltoestel aan einde van zijn levensduur naar een erkend afvalverwerkingsbedrijf.
- Gebruik geen elektrische toestellen in het koeltoestel, behalve als deze toestellen daarvoor door de fabrikant worden aanbevolen.
- Plaats het koeltoestel niet in de buurt van open vuur of andere warmtebronnen (verwarming, sterke zonnestraling, gasovens enz.).
- **Gevaar voor oververhitting!**

Zorg er altijd voor dat er rond het koeltoestel minimaal 50 mm ventilatie is. Houd het ventilatiebereik vrij van objecten die de luchtstroom rond de koelcomponenten kunnen hinderen.

Plaats het koeltoestel niet in gesloten ruimtes of bereiken met minimale luchtstroming.
- Let erop dat de ventilatieopeningen niet worden afgedekt.
- Vul het binnenreservoir niet met vloeistoffen of ijs.
- Dompel het koeltoestel nooit onder in water.
- Bescherm het koeltoestel en de kabels tegen hitte en vocht.
- Het toestel mag niet aan regen worden blootgesteld.

3 Omvang van de levering

Nr. in afb. 1, pagina 3	Aantal	Beschrijving
1	1	Koelbox
2	1	Aansluitkabel voor gelijkstroomaansluiting
3	1	Aansluitkabel voor wisselstroomaansluiting

4 Toebehoren

Verkrijgbaar als toebehoren (niet bij de levering inbegrepen):

Aanduiding	Artikelnr.	Model
Beschermkap		
CFX3 25PC	9600028749	CFX3 25
CFX3 35PC	9600028455	CFX3 35
CFX3 45PC	9600028456	CFX3 45
CFX3 55PC	9600028457	CFX3 55
		CFX3 55IM
CFX3 75PC	9600028458	CFX3 75DZ
CFX3 95PC	9600028459	CFX3 95DZ
CFX3 100PC	9600028460	CFX3 100
Schuif koelkast		
CFX3 SLD3545	9600028548	CFX3 35
		CFX3 45
CFX3 SLD55	9600028549	CFX3 55
		CFX3 55IM
CFX3 SLD75	9600028550	CFX3 75DZ
CFX3 SLD95100	9600028551	CFX3 95DZ
		CFX3 100

Aanduiding	Artikelnr.	Model
CFX3-app	–	geschikt voor alle modellen
PLB40	9600012878	geschikt voor alle modellen

Houd er rekening mee dat de CFX3-app mogelijk niet beschikbaar is in uw land.

5 Beoogd gebruik

De koelbox is geschikt voor het koelen van levensmiddelen. De koelbox is ook geschikt voor gebruik in voertuigen. De koelbox is ontworpen voor gebruik op een gelijkstroom-stopcontact in een voertuig of voor gebruik op wisselstroomvoeding.

De koelbox is ook geschikt voor gebruik tijdens kamperen.

De koelbox is bedoeld voor gebruik in huishoudelijke en soortgelijke toepassingen zoals

- personeelskeukens in winkels, kantoren en andere werkomgevingen
- boerderijen
- klanten in hotels, motels en andere woonomgevingen
- bed and breakfast-accommodaties
- catering en soortgelijke toepassingen anders dan in de detailhandel

De koelbox is **niet** geschikt voor:

- opslag van corroderende, bijtende of oplosmiddelhoudende stoffen

Deze koelbox is alleen geschikt voor het beoogde gebruik en de toepassing in overeenstemming met deze gebruiksaanwijzing.

Deze handleiding geeft informatie die nodig is voor een goede installatie en/of bediening van de koelbox. Een slechte installatie en/of verkeerde bediening of onderhoud leidt tot onbevredigende prestaties en mogelijke storingen.

De fabrikant aanvaardt geen aansprakelijkheid voor letsel of schade aan het product die het gevolg is van:

- Onjuiste montage of aansluiting, inclusief te hoge spanning
- Onjuist onderhoud of gebruik van andere dan door de fabrikant geleverde originele reserveonderdelen
- Wijzigingen van het product zonder uitdrukkelijke toestemming van de fabrikant

- Gebruik voor andere doeleinden dan beschreven in deze handleiding

Dometic behoudt zich het recht voor om het uiterlijk en de specificaties van het product te wijzigen.

6 Functiebeschrijving

De koeling gebeurt door een onderhoudsarme koelkring met compressor. De goede isolatie en krachtige compressor garanderen efficiënte en snelle koeling.

De koelbox is draagbaar.

De koelbox is bestand tegen een kortdurende kanteling van 30°, bijvoorbeeld op boten.

6.1 Functies

- Voeding met prioriteitsschakeling voor de aansluiting op wisselstroomvoeding
- Drietrap accubeveiliging om de voertuigaccu te beschermen
- Display met temperatuurweergave in °C en °F
- Temperatuurinstelling in stappen van 1 °C (1 °F)
- Geïntegreerde wifi- en Bluetooth-functie dus te bedienen met behulp van een app
- Opklapbare draaggrepen
- USB-lader voor mobiele apparaten zoals mobiele telefoons
- Uitneembare mand
- **Alleen CFX3 55IM:** ijsmaker

6.2 Bedienings- en indicatie-elementen

Dekselvergrendeling: afb. **2** 1, pagina 3

Bedieningspaneel (afb. **3**, pagina 4):

Nr.	Beschrijving	Toelichting
1		<p>Schakelt de koelbox in bij een korte druk op de toets</p> <p>Schakelt de koelbox in bij een druk op de toets gedurende drie seconden</p> <p>Keert terug naar het vorige menu</p>
2	Display	<p>Toont informatie</p> <p>ac : Wisselstroomvoeding is aangesloten</p> <p>dcv: Gelijkstroomvoeding is aangesloten</p> <p> : Bluetooth is geactiveerd</p> <p> : Wifi is geactiveerd</p> <p> : Display is vergrendeld</p> <p>● : Compressor is actief</p> <p>■ : IJsmaker is actief (alleen CFX3 55IM)</p>
3		<p>Druk op  om een item naar boven te gaan of om de geselecteerde waarde te verhogen.</p> <p>Druk op  om een item naar beneden te gaan of om de geselecteerde waarde te verlagen.</p> <p>Druk gedurende 3 seconden tegelijkertijd op  en  of ontgrendel het display.</p>
4		<p>Druk op om een menu te selecteren of om de geselecteerde waarde op te slaan.</p>

Stekkeraansluitingen (afb. 4, pagina 4):

Nr.	Beschrijving
1	Stekkeraansluiting wisselspanningsvoorziening
2	Stekkeraansluiting gelijkspanningsvoorziening
3	Gelijkstroom-zekeringhouder
4	Wisselstroom-zekeringhouder

7 Gebruik

Let op het volgende om voedselverspilling tegen te gaan:

- Houd temperatuurschommelingen zo laag mogelijk. Open het koeltoestel uitsluitend indien nodig en slechts zo lang als noodzakelijk. Berg levensmiddelen zodanig op dat de lucht nog steeds goed kan circuleren.
- Pas de temperatuur aan aan de hoeveelheid en het type levensmiddelen.
- Levensmiddelen kunnen snel geuren en smaken opnemen of afgeven. Berg levensmiddelen daarom altijd afgedekt of in afgesloten bakken/flessen op.

7.1 Voorafgaand aan het eerste gebruik

**INSTRUCTIE**

Voordat u de nieuwe koelbox in gebruik neemt, moet u deze om hygiënische redenen vanbinnen en vanbuiten reinigen met een vochtige doek (zie ook hoofdstuk „Reiniging en onderhoud“ op pagina 205).

7.2 Energie besparen

- Kies een goed geventileerde en tegen zonnestrallen beschermde opstellingsplaats.
- Laat warme levensmiddelen eerst afkoelen alvorens ze in het koeltoestel koel te houden.
- Open het koeltoestel niet vaker dan nodig.
- Laat het koeltoestel niet langer openstaan dan nodig.
- Als de koelbox een mand heeft: Voor een optimaal energieverbruik plaatst u de mand in de positie bij levering.
- Controleer regelmatig of de dekselafdichting nog goed zit.

7.3 Openingsrichting van deksel omkeren

CFX 3 55, CFX 3 55IM, CFX 3 100

- Ga als volgt te werk (afb. **5**, pagina 5).

CFX 3 75DZ, CFX 3 95DZ

- Ga als volgt te werk (afb. **6**, pagina 6).

7.4 Koelbox aansluiten



LET OP! Gevaar voor schade

- Ter bescherming van het toestel heeft de bijgeleverde gelijkstroomkabel een zekering in de stekker. Verwijder de met zekering beveiligde gelijkstroomstekker **niet**.
Gebruik alleen de bijgeleverde gelijkstroomkabel.
- Ontkoppel de koelbox en andere verbruikers van de accu, alvorens de accu op een snellader aan te sluiten.
Overspanning kan de elektronica van het toestel beschadigen.

Aansluiten op een accu

- Ga als volgt te werk (afb. **7**, pagina 7).

Aansluiting via verlengde gelijkstroombedrading (alleen CFX 3 100)

- Ga als volgt te werk (afb. **8**, pagina 8).

Aansluiten op een wisselstroomvoeding



GEVAAR! Gevaar voor elektrische schokken

- Raak stekkers en schakelaars nooit aan als u natte handen heeft of met uw voeten op een natte ondergrond staat.
- Als u uw koelbox aan boord van een boot met een wisselstroomvoeding gebruikt, moet u een aardlekschakelaar tussen de wisselstroomvoeding en de koelbox installeren.
Laat u adviseren door een opgeleid technicus.

- Ga als volgt te werk (afb. **9**, pagina 9).

7.5 Koelbox gebruiken



LET OP! Gevaar voor oververhitting

Zorg er altijd voor dat er voldoende ventilatie is zodat de tijdens gebruik gegenereerde warmte kan ontsnappen. Let erop dat de ventilatiesleuven niet afgedekt zijn. Zorg ervoor dat het toestel op voldoende afstand tot wanden en andere voorwerpen staat, zodat de lucht kan circuleren.



INSTRUCTIE

Bij gebruik met de accu wordt het display automatisch uitgeschakeld, als de accuspanning laag is.

- Koelbox inschakelen: afb. **10**, pagina 9
- Koelbox uitschakelen: afb. **11**, pagina 10

7.6 Display gebruiken

Display-toestanden (afb. **12**, pagina 10)

Nr.	Beschrijving
A	Stand-by
B	Ruststand
C	Vergrendeld

Display-overzicht: afb. **13**, pagina 11

Navigeren door de menu's

Het gemarkeerde menu is geselecteerd.

- ▶ Druk op  om een item naar boven te gaan.
- ▶ Druk op  om een item naar beneden te gaan.

Een menu kiezen

- ▶ Druk op  om het benodigde menu te selecteren.

Instellingen wijzigen

De gemarkeerde waarde of instelling is geselecteerd.

- ▶ Druk op  om de geselecteerde waarde te verhogen of om de vorige instelling te kiezen.
- ▶ Druk op  om de geselecteerde waarde te verlagen of om de volgende instelling te kiezen.

Teruggaan naar het vorige menu

- ▶ Druk op  om naar het vorige menu te gaan zonder wijzigingen op te slaan.

7.7 Display vergrendelen/ontgrendelen

- ▶ Druk gedurende 3 seconden tegelijkertijd op  en  of ontgrendel het display (afb. **14**, pagina 11).

7.8 Temperatuureenheden selecteren

- ▶ Ga als volgt te werk (afb. **15**, pagina 11).

7.9 Temperatuur instellen



LET OP! Gevaar voor beschadiging door extreem lage temperaturen

Zorg ervoor dat er zich alleen voorwerpen of waren in de koelbox bevinden die op de gekozen temperatuur gekoeld mogen worden.

- ▶ Ga als volgt te werk (afb. **16**, pagina 12).

7.10 Accubeveiliging gebruiken

Het toestel is uitgerust met een 3-traps accubeveiliging. De accubeveiliging voorkomt overmatige ontlading wanneer het toestel is aangesloten op een starteraccu van het voertuig of maximaliseert het gebruik van een voedingsaccu.

Als de koelbox bij uitgeschakeld contact in het voertuig wordt gebruikt, wordt de koelbox automatisch uitgeschakeld zodra de voedingsspanning daalt tot onder een ingestelde waarde. De koelbox wordt weer ingeschakeld zodra door oplading van de accu de herinschakelspanning is bereikt.



LET OP! Gevaar voor schade

Als de accu wordt uitgeschakeld door de accubeveiliging, wordt de accu niet meer volledig opgeladen. Vermijd herhaaldelijk starten. Zorg ervoor dat de accu weer wordt opgeladen.

**INSTRUCTIE**

Als de koelbox wordt gevoed door de starteraccu, kies dan de accubeveiligingsmodus „MEDIUM“ of „HIGH“. Als de koelbox is aangesloten op een voedingsaccu, is de accubeveiligingsmodus „LOW“ voldoende.

- ▶ Ga als volgt te werk (afb. **17**, pagina 13).

7.11 Displayhelderheid instellen

- ▶ Ga als volgt te werk (afb. **18**, pagina 13).

7.12 Compartimenten in- of uitschakelen (alleen CFX 3 75DZ, CFX 3 95DZ)

U kunt iedere zone individueel activeren of beide tegelijk.

- ▶ Ga als volgt te werk (afb. **19**, pagina 14).

7.13 De ijsmaker gebruiken (alleen CFX 3 55IM)

**INSTRUCTIE**

- Onafhankelijk van de temperatuurinstelling van het hoofdcompartiment is de ijsmakerzone ontworpen voor het maken van ijsblokjes als de ijsmaker is ingeschakeld.
- Het energieverbruik van de koelbox neemt toe als de ijsmaker ingeschakeld is. Daarom moet u de ijsmaker uitschakelen als deze niet nodig is.
- De fabrieksinstelling van de ijsmaker is UIT.

- ▶ Ga als volgt te werk (afb. **20**, pagina 14).

Ijsbakken met drinkwater vullen

- ▶ Verwijder de ijsbakken (afb. **21** 1, pagina 15) uit de behuizing van de ijsmaker (afb. **21** 2, pagina 15).
- ▶ Verwijder de deksels van de ijsbakken, vul ze met schoon water en plaats de deksels weer terug; zorg ervoor dat de randafdichting helemaal ingedrukt is.
- ▶ Plaats de ijsbakken opnieuw in de behuizing van de ijsmaker en sluit het deksel.

**INSTRUCTIE**

Droog het gemorste water van onder de ijsbakken.
Dit zal de ijsophoping onder de bakken verminderen en de verwijdering ervan vergemakkelijken.

Ijsblokjes verwijderen

- Open het deksel van de behuizing van de ijsmaker en haal het onder de voorkant van de ijsbakken.

**INSTRUCTIE**

Bij een hoge luchtvochtigheid kan er door ijsvorming onder de ijsbakken extra kracht nodig zijn met twee handen om deze te verwijderen.

- Verwijder de deksels van de ijsbakken en draai de bakken de ijsblokjes los te maken.

Behuizing van ijsmaker verwijderen

De behuizing van de ijsmaker kan worden verwijderd voor reiniging of wanneer deze niet wordt gebruikt om de bruikbare ruimte in de koelbox te vergroten:

- Til de behuizing aan een kant op totdat de nok loskomt en verwijder deze vervolgens.
- Omgekeerde procedure voor herplaatsing, waarbij de nokken naar beneden worden gedrukt om in positie te komen.

Tips voor gebruik van de ijsmaker

- De ijsmaker maakt na het inschakelen een aantal uren snel ijs en gaat dan automatisch in een ijsonderhoudsmodus om het energieverbruik te verlagen. Als er zo snel mogelijk meerdere partijen ijs nodig zijn, zal het uitschakelen van de ijsmaker en het weer inschakelen deze weer in de snelle ijsmakermodus zetten. Indien nodig herhalen.
- Lage vriezeremperaturen in het hoofdcompartiment kunnen niet worden gehandhaafd in omgevingscondities met hoge temperaturen en ingeschakelde ijsmaker.

Ijsmaker reinigen en drogen

- Als de ijsbakken niet in gebruik zijn, reinig en droog de ijsbakken en de binnenkant van de behuizing van de ijsmaker om schimmelvorming te voorkomen.
- Na langere periodes van niet-gebruik de binnenkant van de ijsbakken reinigen met een mild afwasmiddel en voor gebruik spoelen met schoon water.

7.14 De CFX3-app downloaden

De koelbox kan worden bewaakt en bediend met behulp via Bluetooth of wifi van een app die u kunt installeren op een compatibel toestel.

- Download de CFX3-app in de App Store of Google Play:



Houd er rekening mee dat de CFX3-app mogelijk niet beschikbaar is in uw land.

7.15 Bluetooth-sigitaal instellen en app verbinden

De koelbox kan via Bluetooth worden bewaakt en bediend. Om dit te doen, moet u de koelbox verbinden met uw Bluetooth-toestel.



INSTRUCTIE

- De verbinding moet worden gemaakt in de CFX3-app, niet in de instellingen van het toestel.
- Er is geen wachtwoord nodig voor een Bluetooth-verbinding.

- Ga als volgt te werk (afb. **22**, pagina 15).

7.16 Wifi-sigitaal instellen en app verbinden

De koelbox kan direct via wifi of via een wifi-netwerk worden bewaakt en bediend.

- Ga op de afgebeelde wijze te werk (afb. **23**, pagina 16) om wifi in te schakelen.
- Voor wifi direct naar de koelbox, gaat u naar de instellingen van het toestel en selecteert u uw koelbox.
 - De wifi-naam van uw koelbox begint met „CFX3”.
 - Het vooraf ingestelde wachtwoord is „**00000000**”.
 - U kunt de wifi-naam en het wachtwoord in de CFX3-app aanpassen.



INSTRUCTIE

Voor verbinding via wifi-netwerk gaat u naar „Netwerkverbinding” in de app INSTELLINGEN.

7.17 Naam en wachtwoord CFX in de app wijzigen

- U kunt de naam van uw CFX3 aanpassen in de app.
- Dezelfde naam geldt voor zowel Bluetooth als wifi.

- U kunt ook uw wachtwoord in de app aanpassen – alleen van toepassing op wifi.
- ▶ Ga door met „CFX-naam en wachtwoord” in de app INSTELLINGEN.

7.18 App-wachtwoord resetten (alleen wifi)

U kunt het wachtwoord van de app resetten naar de fabrieksinstelling „00000000”.

- ▶ Ga als volgt te werk (afb. 23, pagina 16).

7.19 Fabrieksinstellingen resetten

De resetfunctie wijzigt alle displaymenu's en app-velden in de oorspronkelijke fabrieksinstellingen.

- ▶ Ga als volgt te werk (afb. 24, pagina 16).

7.20 USB-aansluiting voor stroomvoorziening

U kunt de USB-aansluiting voor het opladen van kleine apparaten (bijvoorbeeld mobiele telefoon en mp3-speler) gebruiken.



INSTRUCTIE

Controleer of het aan de USB-aansluiting aangesloten apparaat geschikt is voor het bedrijf met 5 V/2 A.

- ▶ Ga als volgt te werk (afb. 26, pagina 17).

7.21 Koelbox ontdooien

Vocht kan vorst op de verdampers of in de binnenruimte van het koeltoestel vormen. Daardoor wordt het koelvermogen verminderd. Ontdooi het toestel op tijd.



LET OP! Gevaar voor schade

Gebruik nooit harde of scherpe voorwerpen om ijs te verwijderen of om vastgevroren objecten los te maken.

Ga als volgt te werk om de koelbox te ontdooien:

- ▶ Neem de inhoud uit de koelbox.
- ▶ Bewaar deze eventueel in een ander koeltoestel om ze koud te houden.
- ▶ Schakel het toestel uit.

- ▶ Laat het deksel geopend.
- ▶ Wis het dooiwater weg.

7.22 Wisselstroomzekering vervangen



GEVAAR! Gevaar voor elektrische schokken

Ontkoppel de voeding en de aansluitkabel alvorens de toestelzekering te vervangen.

- ▶ Ontkoppel de stroomvoorziening naar het toestel.
- ▶ Trek de aansluitkabel eruit.
- ▶ Wrik de zekeringhouder (afb. **4** 4, pagina 4) er met een schroevendraaier uit.
- ▶ Vervang de defecte glazekering door een nieuwe zekering met dezelfde waarde (snelle zekering 4 A, 250 V).
- ▶ Druk de zekeringhouder weer in de behuizing.
- ▶ Sluit de stroomvoorziening naar het toestel weer aan.

7.23 Gelijkstroom-zekering vervangen

- ▶ Wrik het zekeringdeksel (afb. **4** 3, pagina 4) er met een schroevendraaier uit.
- ▶ Draai het zekeringdeksel om en gebruik de haak om de defecte steekzekering te verwijderen.
- ▶ Plaats een nieuwe zekering van hetzelfde type en dezelfde rating.
- ▶ Breng het zekeringdeksel weer aan.

7.24 Zekering van gelijkstroomstekker vervangen

- ▶ Vervang de defecte zekering door een nieuwe zekering van hetzelfde type en waarde.
- ▶ Ga als volgt te werk (afb. **27**, pagina 17).

7.25 Lichtprintplaat vervangen



LET OP! Gevaar voor schade

Om gevaren te voorkomen mag de lamp uitsluitend worden vervangen door de fabrikant, diens klantenservice of gelijkwaardig bevoegd personeel.

8 Reiniging en onderhoud



LET OP! Gevaar voor schade

- Reinig het koeltoestel nooit onder stromend water of in afwaswater.
 - Gebruik voor het reinigen geen bijtende schoonmaakmiddelen of harde voorwerpen omdat deze de koelkast kunnen beschadigen.
- Reinig het koeltoestel regelmatig vanbinnen en vanbuiten met een vochtige doek.
- Zorg ervoor dat de ventilatieopeningen van het toestel vrij zijn van stof en verontreinigingen, zodat de warmte kan worden afgevoerd en het toestel niet beschadigd raakt.

9 Verhelpen van storingen

Fout	Mogelijke oorzaak	Voorstel tot oplossing
Het toestel werkt niet (gelijkstroommodus, ontsteking aan).	Er werd geen spanning herkend aan de gelijkstroomuitgang.	In de meeste voertuigen moet het contact worden ingeschakeld om de gelijkstroomuitgang te activeren.
	De gelijkstroomuitgang is vervuild. Dit heeft een slecht elektrisch contact tot gevolg.	Als de stekker van uw toestel in de gelijkstroomuitgang zeer heet wordt, moet ofwel de gelijkstroomuitgang worden gereinigd of is de stekker niet correct in elkaar gezet.
	De zekering van de gelijkstroomstekker is doorgebrand.	Vervang de zekering in de gelijkstroomstekker, zie hoofdstuk „Gelijkstroomzekering vervangen” op pagina 204.
	De gelijkstroomzekering van het toestel is doorgebrand.	Vervang de gelijkstroomzekering van het toestel, zie hoofdstuk „Gelijkstroomzekering vervangen” op pagina 204.
	De voertuigzekering is doorgebrand.	Vervang de gelijkstroom-uitgangszekering van het voertuig. Zie de bedieningshandleiding van uw voertuig.
Het toestel werkt niet (wisselstroommodus).	Op het wisselspanningstopcontact staat geen spanning.	Probeer een ander stopcontact.
	De wisselstroomzekering van het toestel werd geactiveerd.	Vervang de wisselstroomzekering van het toestel, zie hoofdstuk „Wisselstroomzekering vervangen” op pagina 204.
	De geïntegreerde wisselstroomadapter is defect.	Deze kan alleen worden gerepareerd door een geautoriseerde reparatiewerkplaats.
Het display reageert niet op toetsaanslagen.	Het display is vergrendeld.	Ontgrendel het display, zie hoofdstuk „Display vergrendelen/ontgrendelen” op pagina 199.
De app kan het toestel niet bedienen.	Bluetooth of wifi is niet verbonden.	Verbind Bluetooth, zie hoofdstuk „Bluetooth-signaal instellen en app verbinden” op pagina 202, of verbind wifi, zie hoofdstuk „Wifi-signaal instellen en app verbinden” op pagina 202.

Fout	Mogelijke oorzaak	Voorstel tot oplossing
Het display toont een waarschuwingsbericht of een waarschuwingscode.	–	Zie onderstaande tabel.

Waarschuwingenberichten

Bijv. zie afb. **25** A, pagina 16.

Waarschuwingbericht	Beschrijving	Mogelijke oorzaak	Voorstel tot oplossing
!ALERT - Lid open > 3 min	Deksel meer dan 3 minuten open	<ul style="list-style-type: none"> Deksel niet volledig vergrendeld Interne fout 	<ul style="list-style-type: none"> Controleer of het deksel volledig vergrendeld is Inspectie door geautoriseerd reparatiecentrum vereist
!ALERT - Voltage low	<p>Het toestel werkt niet meer op gelijkstroom vanwege de lage spanning</p> <p>Het toestel werkt niet meer op gelijkstroom als gevolg van uitzonderlijk hoge spanning >31,5 V (onwaarschijnlijke gebeurtenis – uitsluitend ter bescherming van de elektronica – leidt tot hetzelfde waarschuwingbericht als lage spanning hierboven)</p>	<ul style="list-style-type: none"> Voedingsspanning onvoldoende Accuspanning te laag Accubeveiliging is te hoog ingesteld Verkeerde specificatie van de gelijkstroomvoedingsspanning Verkeerde voedingsspanning Interne fout 	<ul style="list-style-type: none"> Controleer de spanningsdaling van accu naar stroomuitgang en verhoog indien nodig de draadmeter Controleer de accu en laad hem indien nodig Selecteer een lagere instelling voor de accubeveiliging Zorg ervoor dat de specificatie van de gelijkstroomvoedingsspanning overeenkomt met het typeplaatje van de CFX 3 Controleer de gelijkstroomvoeding en repareer of vervang deze als hij defect is Inspectie door geautoriseerd reparatiecentrum vereist

Waarschuwingscodes

Bijv. zie afb. **25** B, pagina 16.

Waarschuwingscode	Fout	Mogelijke oorzaak	Voorstel tot oplossing
!WARNING 32	Ventilator over-stroom	Interne storing.	Schakel het toestel minstens 5 minuten uit en start het vervolgens opnieuw op. Als het probleem blijft bestaan, is inspectie door een geautoriseerd reparatiecentrum vereist
!WARNING 33	Compressor start niet		
!WARNING 34	Toerental compressor laag	<ul style="list-style-type: none"> • Hoge omgevingstemperatuur 	<ul style="list-style-type: none"> • Schakel het toestel ten minste 30 minuten uit, of ga naar een koelere locatie en start het vervolgens opnieuw op
!WARNING 35	Regeling temperatuur te hoog	<ul style="list-style-type: none"> • Ontluchtingsopening geblokkeerd of onvoldoende vrije ruimte • Interne fout 	<ul style="list-style-type: none"> • Maak de ventilatieopeningen schoon • Inspectie door geautoriseerd reparatiecentrum vereist
!WARNING 01	NTC circuit onderbroken SZ & DZ GROOT	Interne fout	Inspectie door geautoriseerd reparatiecentrum vereist
!WARNING 11	NTC circuit onderbroken SZ & DZ KLEIN		
!WARNING 02	NTC kortsluiting SZ & DZ GROOT		
!WARNING 12	NTC kortsluiting SZ & DZ KLEIN		
!WARNING 09	DZ-ventiel of ijs-maker-ventiel defect		Schakel het toestel minstens 1 minuut uit en start het vervolgens opnieuw op. Als het probleem blijft bestaan, is inspectie door een geautoriseerd reparatiecentrum vereist
!WARNING 03/43	Communicatiefout		

10 Garantie

De wettelijke garantieperiode is van toepassing. Als het product defect is, neem dan contact op met de detailhandel of met het filiaal van de fabrikant in uw land (zie dometic.com/dealer).

Sluit de volgende documenten bij, als je het product opstuurt met betrekking tot reparatie en garantie:

- Een kopie van de factuur met datum van aankoop
- Een reden voor de claim of een beschrijving van de fout

11 Afvoer



WAARSCHUWING! Risico van beknelling van kinderen

Voor het afvoeren van uw oude koeltoestel:

- Demonteer de deksel.
- Laat de manden op hun plek zodat kinderen er niet kunnen inklimmen.

Verpakkingsmateriaal recycleren



- Gooi het verpakkingsmateriaal indien mogelijk altijd in recyclingafvalbakken.

Producten met niet-vervangbare batterijen, oplaadbare batterijen of lichtbronnen recycleren



- Als het product niet-vervangbare batterijen, oplaadbare batterijen of lichtbronnen bevat, hoeft u die niet te verwijderen voordat u het product afvoert.
- Als u het product definitief weg wilt doen, vraag dan bij het dichtstbijzijnde afvalverwerkingsbedrijf of uw dealer naar de betreffende afvoervorschriften.
- Het product kan gratis worden afgevoerd.

12 Technische gegevens



INSTRUCTIE

De minimumtemperatuur onder „Koelvermogen“ kan niet worden bereikt als de omgevingstemperatuur hoger is dan 32 °C (90 °F) voor de modellen CFX3 25/35/45/55/55IM/100 of als de omgevingstemperatuur hoger is dan 30 °C (86 °F) voor de modellen CFX3 75DZ/95DZ (ingesteld op klein -22 °C/groot +4 °C).

Keuring/certificaten:



	CFX3 25	CFX3 35
Aansluitspanning:	12/24 V \equiv 100-240 V \sim	
Nominale stroom:	12 V \equiv : 6,5 A 24 V \equiv : 3,2 A 100 V \sim : 0,90 A 240 V \sim : 0,38 A	12 V \equiv : 7,5 A 24 V \equiv : 3,3 A 100 V \sim : 0,94 A 240 V \sim : 0,39 A
Koelvermogen:	+20 °C tot -22 °C (+68 °F tot -8 °F)	
Klimaatklasse:	N, T	
Omgevingstemperatuur:	+16 °C tot +43 °C (+61 °F tot +110 °F)	
USB-laadaansluiting:	5 V \equiv , 2 A	
Frequentiebereik:	Wifi: 2412 MHz – 2472 MHz / 2422 MHz – 2462 MHz Bluetooth/BLE: 2402 MHz – 2480 MHz	
Frequentieband (wifi):	2,4 GHz	
RF-uitgangsvermogen:	Wifi: 16,62 dBm (802.11b), 16,23 dBm (802.11g), 16,45 dBm (802.11n20), 16,02 dBm (802.11n40) Bluetooth: 8,31 dBm Bluetooth LE: 6,67 dBm	
Koelmiddelhoeveelheid:	32 g	38 g
CO ₂ -equivalent:	0,046 t	0,054 t
Aardopwarmingsvermogen (GWP):	1430	
Afmetingen (b x d x h) in mm (inclusief hendels):	342 x 569 x 420	398 x 694 x 407
Gewicht:	12,7 kg	16,9 kg

	CFX3 45	CFX3 55
Aansluitspanning:	12/24 V=== 100-240 V~	
Nominale stroom:	12 V===: 8,2 A 24 V===: 3,5 A 100 V~: 0,96 A 240 V~: 0,40 A	12 V===: 8,7 A 24 V===: 3,7 A 100 V~: 0,98 A 240 V~: 0,41 A
Koelvermogen:	+20 °C tot -22 °C (+68 °F tot -8 °F)	
Klimaatklasse:	N, T	
Omgevingstemperatuur:	+16 °C tot +43 °C (+61 °F tot +110 °F)	
USB-laadaansluiting:	5 V===, 2 A	
Frequentiebereik:	Wifi: 2412 MHz – 2472 MHz / 2422 MHz – 2462 MHz Bluetooth/BLE: 2402 MHz – 2480 MHz	
Frequentieband (wifi):	2,4 GHz	
RF-uitgangsvermogen:	Wifi: 16,62 dBm (802.11b), 16,23 dBm (802.11g), 16,45 dBm (802.11n20), 16,02 dBm (802.11n40) Bluetooth: 8,31 dBm Bluetooth LE: 6,67 dBm	
Koelmiddelhoeveelheid:	42 g	45 g
CO ₂ -equivalent:	0,060 t	0,064 t
Aardopwarmingsvermogen (GWP):	1430	
Afmetingen (b x d x h) in mm (inclusief hendels):	398 x 694 x 476	720 x 455 x 480
Gewicht:	18,7 kg	20,4 kg

	CFX3 55IM	CFX3 75DZ	CFX3 95DZ
Aansluitspanning:	12/24 V=== 100-240 V~		
Nominale stroom:	12 V===: 8,9 A 24 V===: 3,8 A 100 V~: 1,00 A 240 V~: 0,42 A	12 V===: 9,6 A 24 V===: 4,2 A 100 V~: 1,12 A 240 V~: 0,47 A	12 V===: 10,4 A 24 V===: 4,6 A 100 V~: 1,22 A 240 V~: 0,51 A
Koelvermogen:	+20 °C tot -22 °C (+68 °F tot -8 °F)		
Klimaatklasse:	N, T		
Omgevingstemperatuur:	+16 °C tot +43 °C (+61 °F tot +110 °F)		
USB-laadaansluiting:	5 V===, 2 A		
Frequentiebereik:	Wifi: 2412 MHz – 2472 MHz / 2422 MHz – 2462 MHz Bluetooth/BLE: 2402 MHz – 2480 MHz		
Frequentieband (wifi):	2,4 GHz		
RF-uitgangsvermogen:	Wifi: 16,62 dBm (802.11b), 16,23 dBm (802.11g), 16,45 dBm (802.11n20), 16,02 dBm (802.11n40) Bluetooth: 8,31 dBm Bluetooth LE: 6,67 dBm		
Koelmiddelhoeveelheid:	45 g	59 g	67 g
CO ₂ -equivalent:	0,064 t	0,084 t	0,096 t
Aardopwarmingsvermogen (GWP):	1430		
Afmetingen (b x d x h) in mm (inclusief hendels):	720 x 455 x 480	892 x 495 x 472	962 x 530 x 472
Gewicht:	21,3 kg	27,8 kg	29,8 kg

	CFX3 100
Aansluitspanning:	12/24 V=== 100-240 V~
Nominale stroom:	12 V===: 10,8 A 24 V===: 4,8 A 100 V~: 1,28 A 240 V: 0,53 A
Koelvermogen:	+20 °C tot -22 °C (+68 °F tot -8 °F)
Klimaatklasse:	N, T
Omgevingstemperatuur:	+16 °C tot +43 °C (+61 °F tot +110 °F)
USB:	5 V===, 2 A
Frequentiebereik:	Wifi: 2412 MHz – 2472 MHz / 2422 MHz – 2462 MHz Bluetooth/BLE: 2402 MHz – 2480 MHz
Frequentieband (wifi):	2,4 GHz
RF-uitgangsvermogen:	Wifi: 16,62 dBm (802.11b), 16,23 dBm (802.11g), 16,45 dBm (802.11n20), 16,02 dBm (802.11n40) Bluetooth: 8,31 dBm Bluetooth LE: 6,67 dBm
Koelmiddelhoeveelheid:	60 g
CO ₂ -equivalent:	0,086 t
Aardopwarmingsvermogen (GWP):	1430
Afmetingen (b x d x h) in mm (inclusief hendels):	962 x 530 x 472
Gewicht:	29,6 kg

De koelkring bevat R134a.

Dit product bevat gefluoreerde broeikasgassen.

Het koelaggregaat is hermetisch afgesloten.

De radioapparatuur Dometic CFX3 25 tot CFX3 100 voldoet aan de vereisten van de richtlijn 2014/53/EU. De verklaring van overeenstemming van uw apparaat is te vinden op documents.dometic.com.

Læs og følg alle disse anvisninger, retningslinjer og advarsler i denne produktvejledning grundigt for at sikre, at du altid installerer, bruger og vedligeholder produktet korrekt. Disse anvisninger SKAL opbevares sammen med dette produkt.

Ved at benytte produktet bekræfter du hermed, at du har læst alle anvisninger, retningslinjer og advarsler grundigt, og at du forstår og er indforstået med de vilkår og betingelser, der er fastlagt heri. Du er indforstået med kun at bruge dette produkt til det beregnede formål og anvendelse i overensstemmelse med anvisningerne, retningslinjerne og advarslerne i denne produktvejledning samt i overensstemmelse med alle de gældende love og forskrifter. Manglende læsning og ignorering af disse anvisninger og advarsler kan medføre kvæstelser på dig selv og andre, skade på dit produkt eller skade på anden ejendom i nærheden. Der tages forbehold for eventuelle ændringer og opdateringer af denne produktvejledning samt anvisningerne, retningslinjerne og advarslerne samt den tilhørende dokumentation. Se documents.dometic.com, dometic.com for de nyeste produktinformationer.

Indhold

1	Forklaring af symboler	216
2	Sikkerhedshenvisninger	217
3	Leveringsomfang	219
4	Tilbehør	220
5	Korrekt brug	220
6	Funktionsbeskrivelse	221
6.1	Funktionernes omfang	221
6.2	Betjenings- og visningselementer	222
7	Betjening	223
7.1	Før første brug	223
7.2	Energibesparelse	223
7.3	Omvendig af lågets åbningsretning	224
7.4	Tilslutning af køleboksen	224
7.5	Anvendelse af køleboksen	225
7.6	Anvendelse af displayet	225
7.7	Låsning/oplåsning af displayet	226
7.8	Valg af temperaturenhederne	226
7.9	Indstilling af temperaturen	226
7.10	Anvendelse af batteribeskyttelsen	226
7.11	Indstilling af displayets lysstyrke	227
7.12	Til- eller frakobling af rummene (kun CFX3 75DZ, CFX3 95DZ)	227
7.13	Anvendelse af isterningemaskinen (kun CFX3 55IM)	227
7.14	Download af CFX3-appen	229
7.15	Indstilling af Bluetooth-signalet og tilslutning af appen	229
7.16	Indstilling af WiFi-signalet og tilslutning af appen	229
7.17	Ændring af CFX-navnet og adgangskode i appen	230
7.18	Reset af appens adgangskode (kun WiFi)	230
7.19	Reset til fabriksindstillinger	230

7.20	USB-tilslutning til spændingsforsyning	230
7.21	Afrimning af køleboksen	230
7.22	Udskiftning af vekselstrømsikringen	231
7.23	Udskiftning af jævnstrømsikringen	231
7.24	Udskiftning af jævnstrømsstiksikringen	231
7.25	Udskiftning af lysprintpladen	232
8	Rengøring og vedligeholdelse	232
9	Udbedring af fejl	233
10	Garanti	235
11	Bortskaffelse	236
12	Tekniske data	236

1 Forklaring af symboler



FARE!

Sikkerhedshenvisning: Angiver en farlig situation, som medfører dødsfald eller alvorlig kvæstelse, såfremt den ikke undgås.



ADVARSEL!

Sikkerhedshenvisning: Angiver en farlig situation, som kan medføre dødsfald eller alvorlig kvæstelse, såfremt den ikke undgås.



FORSIGTIG!

Sikkerhedshenvisning: Angiver en farlig situation, som kan medføre mindre eller lette kvæstelser, såfremt den ikke undgås.



VIGTIGT!

Angiver en situation, som kan medføre materielle skader, såfremt den ikke undgås.



BEMÆRK

Supplerende oplysninger om betjening af produktet.

2 Sikkerhedshenvisninger



FARE! Manglende overholdelse af disse advarsler medfører dødelige eller alvorlige kvæstelser.

Fare for elektrisk stød

- Ved både: Sørg ved tilslutning til strømnettet ubetinget for, at strømforsyningen er sikret med en FI-afbryder.
- Tag aldrig fat i uisolerede ledninger med bare hænder. Dette gælder frem for alt ved tilslutning til vekselstrømnettet.
- Kontrollér før ibrugtagning, at tilførselsledningen og stikket er tørre.



ADVARSEL! Manglende overholdelse af disse advarsler kan medføre dødelige eller alvorlige kvæstelser.

Fare for elektrisk stød

- Hvis apparatet har synlige beskadigelser, må køleapparatet ikke tages i brug.
- Hvis dette køleapparats strømkabel er beskadiget, skal det udskiftes for at forhindre sikkerhedsfarer.
- Reparationer på dette køleapparat må kun foretages af kvalificeret personale. Ukorrekte reparationer kan medføre betydelige farer.
- Sæt apparatet i stikdåser, der sikrer en korrekt forbindelse, især når apparatet skal forbindes med jord.

Brandfare

- Når apparatet positioneres, skal det sikres, at strømledningen ikke sidder i klemme eller beskadiges.
- Placér ikke flere bærbare stikdåser eller bærbare strømforsyninger i bagved apparatet.
- Hold ventilationsåbningerne på apparathuset eller i indbygningskonstruktionerne fri for forhindringer.
- Anvend ikke mekaniske genstande eller andre midler til at accelerere afrimningen, medmindre producenten anbefaler dem hertil.
- Beskadig ikke kølekredsløbet.

Sundhedsfare

- Dette apparat kan anvendes af børn over 8 år og personer med reducerede fysiske, sans- eller mentale evner eller uden erfaring eller viden, hvis de er under opsyn eller er blevet instrueret i sikker brug af apparatet og forstår de involverede farer.
- Børn må ikke lege med apparatet.

- Rengøring og vedligeholdelse må ikke udføres af børn uden opsyn.
- Børn i alderen fra 3 til 8 år må fylde og tømme køleapparater.

Eksplodingsfare

- Opbevar ikke eksplosive stoffer som f.eks. spraydåser med en brændbar drivgas i køleapparatet.



FORSIGTIG! Manglende overholdelse af disse forsigtighedshenvisninger kan medføre mindre eller moderate kvæstelser.

Fare for elektrisk stød

- Afbryd køleapparatet fra strømforsyningen
 - før hver rengøring og vedligeholdelse
 - efter hver brug

Sundhedsfare

Følg disse anvisninger for at undgå, at maden bliver fordærvet:

- Kontrollér, om apparatets kølekapacitet svarer til kravene for levnedsmidlerne eller lægemidlerne, som du vil køle.
- Madvarer må kun opbevares i original emballage eller egnede beholdere.
- Hvis køleapparatet er åbnet i længere tid, kan temperaturen stige betydeligt i apparatets rum.
- Rengør regelmæssigt overflader, som kan komme i kontakt med levnedsmidler og adgang til kloaksystemer.
- Hvis apparatet er tomt i længere tid:
 - Sluk apparatet.
 - Sluk for apparatet.
 - Rengør og tør apparatet.
 - Lad låget være åbent for at forhindre, at der dannes mug inden i apparatet.



VIGTIGT! Fare for beskadigelse

- Kontrollér, at spændingsangivelsen på mærkepladen svarer til den fra energiforsyningen.
- Tilslut kun køleapparatet på følgende måde:
 - Med jævnstrømtilslutningskablet til en jævnstrømforsyning i køretøjet
 - Eller tilslut tilslutningskablet til en vekselstrømforsyning.
- Træk aldrig stikket ud af stikdåsen med kablet.

- Hvis køleapparatet er tilsluttet jævnstrøm, skal du koble køleapparatet og andre elektriske apparater fra batteriet, før du tilslutter en hurtigoplader.
- Hvis køleapparatet er tilsluttet jævnstrøm, skal du frakoble køleapparatet eller slukke det, når du slukker motoren. I modsat fald kan køretøjsbatteriet blive afladet.
- Køleapparatet er ikke egnet til transport af ætsende materialer eller materialer, der indeholder opløsningsmidler.
- Køleapparatets isolering indeholder brændbar cyklopentan og kræver specielle bortskaffelsesprocedurer. Aflever køleapparatet på genbrugsstationen ved afslutningen af dets levetid.
- Anvend ikke elektriske apparater i køleskabet, medmindre producenten anbefaler disse apparater til det.
- Stil ikke køleapparatet i nærheden af åben ild eller andre varmekilder (varmeapparater, stærk sol, gasovne osv.).
- **Risiko for overophedning!**
Sørg for, at der altid er et minimum på 50 mm ventilation på alle fire sider af køleapparatet. Hold ventilationsområdet frit for genstande, som kan begrænse luftstrømmen til kølekomponenterne.
Placér ikke køleapparatet i lukkede rum eller områder uden eller med minimal luftstrøm.
- Ventilationsåbningerne må ikke tildækkes.
- Fyld ikke is eller væsker i den indvendige beholder.
- Dyp aldrig køleapparatet i vand.
- Beskyt køleapparatet og kablerne mod varme og fugtighed.
- Apparatet må ikke udsættes for regn.

3 Leveringsomfang

Position på fig. 1, side 3	Antal	Beskrivelse
1	1	Køleboks
2	1	Tilslutningskabel til jævnstrømstilslutning
3	1	Tilslutningskabel til vekselstrømstilslutning

4 Tilbehør

Kan fås som tilbehør (ikke indeholdt i leveringsomfanget):

Betegnelse	Art.nr.	Model
Beskyttelsesbeklædning		
CFX3 25PC	9600028749	CFX3 25
CFX3 35PC	9600028455	CFX3 35
CFX3 45PC	9600028456	CFX3 45
CFX3 55PC	9600028457	CFX3 55
		CFX3 55IM
CFX3 75PC	9600028458	CFX3 75DZ
CFX3 95PC	9600028459	CFX3 95DZ
CFX3 100PC	9600028460	CFX3 100
Køleskabsglider		
CFX3 SLD3545	9600028548	CFX3 35
		CFX3 45
CFX3 SLD55	9600028549	CFX3 55
		CFX3 55IM
CFX3 SLD75	9600028550	CFX3 75DZ
CFX3 SLD95100	9600028551	CFX3 95DZ
		CFX3 100
CFX3 app	–	Passer til alle modeller
PLB40	9600012878	Passer til alle modeller

Bemærk, at CFX 3-appen eventuelt ikke er tilgængelig i dit land.

5 Korrekt brug

Køleboksen er egnet til at køle fødevarer. Køleboksen er også egnet til anvendelse i køretøjer. Køleboksen er beregnet til at blive tilsluttet til en jævnstrømsforsyningsstikdåse i et køretøj eller til en vekselstrømsforsyning.

Køleboksen er også egnet til campingbrug.

Køleboksen er beregnet til at blive anvendt i husholdningen og lignende anvendelser som

- personalekøkkener i butikker, kontorer og andre arbejdsomgivelser
- bondegårde
- kunder på hoteller, moteller og andre typer boligomgivelser
- bed-and-breakfast-pensioner
- catering og lignende anvendelse inden for non-retail

Køleboksen er **ikke** egnet til:

- opbevaring af korrosive, ætsende eller opløsningsmiddelholdige stoffer

Denne køleboks er kun egnet til dens beregnede formål og anvendelse i overensstemmelse med disse anvisninger.

Denne vejledning giver dig oplysninger om, hvad der er nødvendigt med henblik på en korrekt montering og/eller drift af køleboksen. Dårlig montering og/eller ukorrekt drift eller vedligeholdelse medfører utilstrækkelig ydeevne og mulige fejl.

Producenten påtager sig intet ansvar for kvæstelser eller skader i forbindelse med produktet, der skyldes:

- Ukorrekt samling eller forbindelse inklusive for høj spænding
- Ukorrekt vedligeholdelse eller brug af uoriginale reservedele, der ikke stammer fra producenten
- Ændringer på produktet uden udtrykkelig tilladelse fra producenten
- Brug til andre formål end dem, der er beskrevet i vejledningen

Dometic forbeholder sig ret til at ændre produktets udseende og produkt-specifikationer.

6 Funktionsbeskrivelse

Kølingen sker med et kølekredsløb og en kompressor med lav vedligeholdelse. Den kraftige isolering og kompressor sørger for en effektiv og hurtig køling.

Køleapparatet er egnet til mobil anvendelse.

Køleboksen kan modstå en kortvarig hældning på 30°.

6.1 Funktionernes omfang

- Netdel med prioritetskobling til tilslutning til vekselspændingsforsyning
- Tretrins batteribeskyttelse til at beskytte køretøjets batteri

- Display med temperaturvisning i °C og °F
- Temperaturindstilling i trin på 1 °C (1 °F)
- Integreret WiFi- og Bluetooth-funktion, kan derfor styres med en app
- Bæregreb, der kan klappes op
- USB-lader til bærbare apparater som f.eks. mobiltelefoner
- Kurveindsats til at tage ud
- **Kun CFX3 55IM:** Isterningemaskine

6.2 Betjenings- og visningselementer

Lås til låge: fig. **2** 1, side 3

Betjeningspanel (fig. **3**, side 4):

Artikel	Beskrivelse	Forklaring
1		Tænder køleboksen, når der trykkes kortvarigt på tasten Slukker køleboksen, når der trykkes på tasten i tre sekunder Vender tilbage til den forrige menu.
2	Display	Viser informationen AC : Vekselstrømnet er tilsluttet DCV : Jævnstrømnet er tilsluttet  : Bluetooth er aktiveret  : WiFi er aktiveret  : Display er låst ● : Kompressor kører ■ : Isterningemaskine kører (kun CFX3 55IM)
3		Tryk på  for at navigere op eller for at forøge den valgte værdi. Tryk på  for at navigere ned eller for at reducere den valgte værdi. Tryk samtidigt på  og  i 3 sek. for at låse displayet eller låse det op.
4		Tryk på for at vælge eller at gemme den valgte værdi.

Stiktilslutning (fig. 4, side 4):

Artikel	Beskrivelse
1	Tilslutningsbøsning vekselspændingsforsyning
2	Tilslutningsbøsning jævnspændingsforsyning
3	Jævnspændingssikringsholder
4	Vekselspændingssikringsholder

7 Betjening

Vær opmærksom på følgende for at undgå fødevarespild:

- Hold temperaturudsving så lave som muligt. Åbn kun køleapparatet, så tit og så længe det er nødvendigt. Opbevar fødevarer, så luften stadig kan cirkulere godt.
- Juster temperaturen til fødevarernes mængde og type.
- Fødevarer kan nemt absorbere eller afgive lugt eller smag. Opbevar altid fødevarer tildækket eller i lukkede beholdere/flasker.

7.1 Før første brug



BEMÆRK

Før du tager den nye køleboks i brug, bør du af hygiejniske årsager rengøre den indvendigt og udvendigt med en fugtig klud (se også kapitlet „Rengøring og vedligeholdelse“ på side 232).

7.2 Energibesparelse

- Vælg et opstillingssted, der er godt ventileret og beskyttet mod sol.
- Lad først varm mad afkøle, før du anbringer den i køleapparatet for at køle det ned.
- Åbn ikke køleapparatet hyppigere end nødvendigt.
- Lad ikke køleapparatet være åbent i længere tid end nødvendigt.
- Hvis køleboksen har en kurv: Placér kurven i overensstemmelse med dens position ved leveringen for at opnå optimalt energiforbrug.
- Kontrollér regelmæssigt, at lågets tætning stadig passer korrekt.

7.3 Omvendig af lågets åbningsretning

CFX3 55, CFX3 55IM, CFX3 100

- Fortsæt som vist (fig. **5**, side 5).

CFX3 75DZ, CFX3 95DZ

- Fortsæt som vist (fig. **6**, side 6).

7.4 Tilslutning af køleboksen



VIGTIGT! Fare for beskadigelse

- For at beskytte apparatet sidder der en sikring i stikket på det medfølgende jævnstrømskabel. Fjern **ikke** det sikrede jævnstrømsstik. Anvend kun det medfølgende jævnstrømskabel.
- Afbryd køleboksen og andre forbrugerenheder fra batteriet, før du oplader batteriet med en hurtigoplader. Overspænding kan beskadige apparatets elektronik.

Tilslutning til et batteri

- Fortsæt som vist (fig. **7**, side 7).

Tilslutning via forlænget fast jævnstrømsledning (kun CFX3 100)

- Fortsæt som vist (fig. **8**, side 8).

Tilslutning til et vekselstrømnet



FARE! Fare for elektrisk stød

- Berør aldrig stik og kontakter, når du har våde hænder eller står med fødderne i vand.
- Hvis du anvender køleboksen om bord på en båd ved hjælp af en tilslutning til vekselstrømnet, skal du under alle omstændigheder montere et fejlstrømsrelæ mellem vekselstrømnettet og køleboksen. Få råd hos en fagmand.

- Fortsæt som vist (fig. **9**, side 9).

7.5 Anvendelse af køleboksen



VIGTIGT! Risiko for overophedning

Sørg for, at der altid er tilstrækkelig ventilation, så varmen, der opstår under driften, kan slippe bort. Ventilationsåbningerne må ikke tildækkes. Sørg for, at apparatet har tilstrækkelig afstand til vægge og genstande, så luften kan cirkulere.



BEMÆRK

Når den forsynes med et batteri, slukker displayet automatisk, hvis batterispændingen er lav.

- Tilkobling af køleboksen: fig. **10**, side 9
- Frakobling af køleboksen: fig. **11**, side 10

7.6 Anvendelse af displayet

Displaytilstande (fig. **12, side 10)**

Artikel	Beskrivelse
A	Standby
B	Tomgang
C	Låst

Oversigt over displayet: fig. **13, side 11**

Navigering gennem menuerne

Den fremhævede menu er valgt.

- ▶ Tryk på  for at navigere op.
- ▶ Tryk på  for at navigere ned.

Valg af en menu

- ▶ Tryk på  for at vælge den påkrævede menu.

Ændring af indstillinger

Den fremhævede værdi eller indstilling er valgt.

- ▶ Tryk på  for at forøge den valgte værdi eller for at vælge den forrige indstilling.
- ▶ Tryk på  for at reducere den valgte værdi eller for at vælge den næste indstilling.

Tilbage til den forrige menu

- ▶ Tryk på  for at vende tilbage til den forrige menu uden at gemme.

7.7 Låsning/oplåsning af displayet

- ▶ Tryk samtidigt på  og  i 3 sek. for at låse displayet eller låse det op (fig. 14, side 11).

7.8 Valg af temperaturehederne

- ▶ Fortsæt som vist (fig. 15, side 11).

7.9 Indstilling af temperaturen



VIGTIGT! Fare for skade på grund af meget lav temperatur

Sørg for, at der kun er genstande eller varer i køleapparatet, der må afkøles til den valgte temperatur.

- ▶ Fortsæt som vist (fig. 16, side 12).

7.10 Anvendelse af batteribeskyttelsen

Apparatet er udstyret med en 3-trins batteribeskyttelse. Batteribeskyttelsen forhindrer for kraftig afladning, når apparatet er tilsluttet til et køretøjs startbatteri, eller maksimerer brugen af et forsyningsbatteri.

Hvis køleboksen anvendes, når køretøjets tænding er slået fra, frakobles køleboksen automatisk, så snart forsyningsspændingen falder under et indstillet niveau. Køleboksen tilkobles igen, når batteriet er opladet og gentilkoblingsspændingen nået.



VIGTIGT! Fare for beskadigelse

Når det er frakoblet af batteribeskyttelsen, oplades batteriet ikke længere fuldstændigt. Undgå at starte flere gange. Sørg for, at batteriet oplades igen.

**BEMÆRK**

Hvis køleboksen forsynes fra et startbatteri, skal batteribeskyttelsesmodusen „MEDIUM“ eller „HIGH“ vælges. Hvis køleboksen er tilsluttet til et forsyningsbatteri, er batteribeskyttelsesmodusen „LOW“ ideel.

- Fortsæt som vist (fig. **17**, side 13).

7.11 Indstilling af displayets lysstyrke

- Fortsæt som vist (fig. **18**, side 13).

7.12 Til- eller frakobling af rummene (kun CFX 3 75DZ, CFX 3 95DZ)

Du kan aktivere hver zone individuelt eller dem begge.

- Fortsæt som vist (fig. **19**, side 14).

7.13 Anvendelse af isterningemaskinen (kun CFX 3 55IM)

**BEMÆRK**

- Uafhængigt af hoveddrummetts temperaturindstilling er isterningemaskinens zone beregnet til at lave isterninger, hvis isterningemaskinen er tændt.
- Køleboksen energiforbrug forøges, når isterningemaskinen er tændt. Derfor bør du slukke isterningemaskinen, hvis der ikke er brug for den.
- Fabriksindstillingen for isterningemaskinen er FRA.

- Fortsæt som vist (fig. **20**, side 14).

Fyldning af isterningebakkerne med vand

- Fjern isterningebakkerne (fig. **21** 1, side 15) fra isterningemaskinens hus (fig. **21** 2, side 15).
- Fjern isterningebakkens afdækninger, fyld den med vand, og sæt afdækningen på igen, og sørg for at trykke kanttætningen ned hele vejen rundt.
- Sæt isterningebakkerne tilbage i isterningemaskinens hus, og luk låget.

**BEMÆRK**

Tør alt spildt vand op under isterningebakkerne. Det reducerer dannelsen af is under bakkerne, og gør det nemmere at fjerne dem.

Udtagning af isterningerne

- ▶ Åbn låget til isterningemaskinens hus, og løft under det forreste af isterningebakkerne.

**BEMÆRK**

Udtagning kan kræve ekstra kraft med to hænder i meget fugtige forhold, hvilket kan skabe en isforbindelse under isterningebakkerne.

- ▶ Tag isterningebakkernes afdækninger ud, og vrid bakkerne for at frigøre isterningerne.

Afmontering af isterningemaskinens hus

Isterningemaskinens hus kan afmonteres ved rengøring, eller hvis den ikke er i brug, så pladsen i køleboksen forøges:

- ▶ Løft huset i den ene ende, indtil hagen løsnes, fjern det derefter.
- ▶ Gå frem i modsat rækkefølge for at montere igen ved at skubbe hagerne neds, så de klikker på plads.

Tips om brug af isterningemaskinen

- Isterningemaskinen laver is hurtigt i et antal timer, når den er blevet tændt, og skifter derefter automatisk til en isvedligeholdelsesmodus for at reducere energiforbruget. Hvis der er brug for flere portioner is så hurtigt som muligt, skal du slukke isterningemaskinen og tænde den igen for at skifte til den hurtige isproduktionsfunktion. Gentag efter behov.
- Lave frysertemperaturindstillinger i hovedrummet kan eventuelt ikke bibeholdes i høje udenomstemperaturer, mens isterningemaskinen er tændt.

Rengøring og tørring af isterningemaskinen

- ▶ Rengør og tør isterningsbakkerne og isterningemaskinens hus, når den ikke er i brug, for at forebygge skimmel.
- ▶ Rengør efter lange perioder uden brug indersiden af isterningebakkerne med en mild vaske opløsning, og skyl med rent vand inden brug.

7.14 Download af CFX 3-appen

Køleboksen kan overvåges eller styres via Bluetooth eller WiFi ved hjælp af en app, som du kan installere på et kompatibelt apparat. on a compatible device.

- Download CFX 3-appen fra App Store eller Google Play:



Bemærk, at CFX 3-appen eventuelt ikke er tilgængelig i dit land.

7.15 Indstilling af Bluetooth-signalet og tilslutning af appen

Køleboksen kan overvåges og styres via Bluetooth. For at gøre det skal du forbinde køleboksen med dit Bluetooth-apparat.



BEMÆRK

- Forbindelsen skal gennemføres i CFX 3-appen, ikke i apparatets indstillinger.
- Der kræves ikke en adgangsmode til Bluetooth-tilslutning.

- Fortsæt som vist (fig. 22, side 15).

7.16 Indstilling af WiFi-signalet og tilslutning af appen

Køleboksen kan overvåges og styres via WiFi direkte til køleboksen eller via et WiFi-netværk.

- Fortsæt som vist (fig. 23, side 16) for at tænde WiFi.
- Gå til apparatets indstillinger, og vælg din køleboks for WiFi direkte til køleboksen.
 - WiFi-navnet for din køleboks begynder med „CFX 3“.
 - Den forindstillede adgangskode er „00000000“.
 - Du kan personalisere WiFi-navnet og adgangskoden i CFX 3-appen.



BEMÆRK

Gå til „Netværksforbindelse“ i appen SETTINGS for tilslutning via WiFi-netværk.

7.17 Ændring af CFX-navnet og adgangskode i appen

- Du kan personalisere navnet for din CFX i appen.
 - Det samme navn gælder for både Bluetooth og WiFi.
 - Du kan også personalisere din adgangskode i appen - gælder kun for WiFi.
- Fortsæt med „CFX-navn og adgangskode“ i appen SETTINGS.

7.18 Reset af appens adgangskode (kun WiFi)

Du kan resette appens adgangskode til fabriksindstillingen „00000000“.

- Fortsæt som vist (fig. 23, side 16).

7.19 Reset til fabriksindstillinger

Resetfunktionen ændrer alle displaymenuens og appens felter til den originale fabriksindstillinger.

- Fortsæt som vist (fig. 24, side 16).

7.20 USB-tilslutning til spændingsforsyning

Du kan anvendes USB-tilslutningen til at oplade små apparater (f.eks. mobiltelefoner og MP3-players).



BEMÆRK

Sørg for, at det lille apparat, der er tilsluttet til USB-tilslutningen, er egnet til drift med 5 V/2 A.

- Fortsæt som vist (fig. 26, side 17).

7.21 Afrimning af køleboksen

Luftfugtighed kan sætte sig som rim inde i apparatet eller på fordamperen. Derved reduceres kølekapaciteten. Afrim apparatet rettidigt.



VIGTIGT! Fare for beskadigelse

Anvend aldrig hårdt eller spidst værktøj til at fjerne is eller til at løsne genstande, som er frosset fast.

Gå frem på følgende måde for at afrime køleboksen:

- Tag indholdet ud af køleboksen.

- ▶ Læg det evt. i et andet køleapparat for at holde dem kolde.
- ▶ Sluk apparatet.
- ▶ Lad låget stå åbent.
- ▶ Tør der afrimede vand af.

7.22 Udskiftning af vekselstrømsikringen



FARE! Fare for elektrisk stød

Afbryd strømforsyningen og tilslutningskablet, før du udskifter apparatets sikring.

- ▶ Afbryd strømforsyningen til apparatet.
- ▶ Træk tilslutningskablet ud.
- ▶ Vip sikringsindsatsen (fig. **4** 4, side 4) ud f.eks. med en skruetrækker.
- ▶ Udskift den defekte glassikring med en ny sikring af samme type og med samme værdi (hurtig, 4 A, 250 V).
- ▶ Tryk sikringsindsatsen ind i kabinettet igen.
- ▶ Tilslut strømforsyningen til apparatet igen.

7.23 Udskiftning af jævnstrømsikringen

- ▶ Vip sikringsafdækningen (fig. **4** 3, side 4) ud f.eks. med en skruetrækker.
- ▶ Vend sikringsafdækningen om, og brug hagen til at fjerne den defekte fladstiksikring.
- ▶ Skub en ny sikring af samme type og klassifikation ind.
- ▶ Sæt sikringsafdækningen på igen.

7.24 Udskiftning af jævnstrømsstiksikringen

- ▶ Udskift den defekte sikring med en ny sikring af samme type og klassifikation.
- ▶ Fortsæt som vist (fig. **27**, side 17).

7.25 Udskiftning af lysprintpladen

**VIGTIGT! Fare for beskadigelse**

Lampen kan kun udskiftes af producenten, en servicerepræsentant eller en tilsvarende kvalificeret person for at undgå farer.

8 Rengøring og vedligeholdelse

**VIGTIGT! Fare for beskadigelse**

- Rengør aldrig køleapparatet under rindende vand eller i opvaskevand.
- Anvend ikke skrabe rengøringsmidler eller hårde genstande ved rengøringen, da de kan beskadige køleapparatet.

- Rengør af og til køleapparatet indvendigt og udvendigt med en fugtig klud.
- Sørg for, at apparatets ventilations- og udluftningsåbninger er fri for støv og urenheder, så varmen, der opstår under driften, kan ledes bort, og apparatet ikke tager skade.

9 Udbedring af fejl

Fejl	Mulig årsag	Løsningsforslag
Apparatet fungerer ikke (jævnstrømsdrift, tænding til).	Der registreres ingen spænding på jævnstrømsudgangen.	I de fleste køretøjer skal tændingen slås til, før jævnstrømsudgangen forsynes med strøm.
	Jævnstrømsstikket er snavset. Konsekvensen er en dårlig elektrisk forbindelse.	Hvis apparatets stik bliver meget varmt i jævnstrømsstikket, skal jævnstrømsstikket enten rengøres, eller stikket er muligvis ikke samlet rigtigt.
	Jævnstrømsstikkets sikring er brændt over.	Udskift sikringen i jævnstrømsstikket, se kapitlet „Udskiftning af jævnstrømssikringen“ på side 231.
	Apparatets jævnstrøms-sikring er sprunget.	Udskift apparatets jævnstrøms-sikring, se kapitlet „Udskiftning af jævnstrøms-sikringen“ på side 231.
Apparatet fungerer ikke (vekselstrømsdrift).	Køretøjets sikring er brændt over.	Udskift sikringen til køretøjets jævnstrømsstik. Se dit køretøjs betjeningsvejledning.
	Vekselspændingsstikdåsen har ikke spænding.	Forsøg med en anden stikdåse.
	Apparatets vekselstrøms-sikring er sprunget.	Udskift apparatets vekselstrøms-sikring, se kapitlet „Udskiftning af vekselstrøms-sikringen“ på side 231.
Displayet reagerer ikke på tryk på tasterne.	Den integrerede vekselstrømsadapter er defekt.	Reparationen kan kun foretages af et tilfaldt reparationscenter.
	Displayet er låst.	Lås displayet op, se kapitlet „Låsning/oplåsning af displayet“ på side 226.
Appen kan ikke styre apparatet.	Bluetooth eller WiFi er ikke tilsluttet.	Tilslut Bluetooth, se kapitlet „Indstilling af Bluetooth-signalet og tilslutning af appen“ på side 229, eller tilslut WiFi, se kapitlet „Indstilling af WiFi-signalet og tilslutning af appen“ på side 229.
Displayet viser en alarmmelding eller advarselskode.	–	Se nedenstående tabel.

Alarmmeldinger

Se f.eks. fig. 25 A, side 16.

Alarmmelding	Beskrivelse	Mulig årsag	Løsningsforslag
!ALERT - Lid open > 3 min	Låg åbent i mere end 3 minutter	<ul style="list-style-type: none"> Låg ikke gået fuldstændigt i indgreb Intern fejl 	<ul style="list-style-type: none"> Kontrollér, at låget er gået fuldstændigt i indgreb Inspektion udført af autoriseret reparationscenter påkrævet
!ALERT - Voltage low	Apparatet fungerer ikke længere på jævnstrøm på grund af lav spænding	<ul style="list-style-type: none"> Utilstrækkelig forsyningspænding Batterispænding for lav Batteribeskyttelse er indstillet for højt 	<ul style="list-style-type: none"> Kontrollér spændingsfald fra batteri til strømudgang, og forøg om nødvendigt ledningsstørrelsen Test batteriet, og oplad det i givet fald Vælg en lavere indstilling for batteribeskyttelsen
	Apparatet fungerer ikke længere på jævnstrøm på grund af en unormal høj spænding >31,5 V (usandsynlig hændelse – kun til beskyttelse af elektronik – benytter samme alarmmeldinger som lavspænding ovenfor)	<ul style="list-style-type: none"> Forkert specifikation for forsyningsjævnspænding Forkert forsyningspænding Intern fejl 	<ul style="list-style-type: none"> Kontrollér, at specifikationen for forsyningsjævnspændingen passer med CFX3 produkttypemærkaten Kontrollér forsyningsjævnspændingen, og reparér eller udskift, hvis der er fejl i den Inspektion udført af autoriseret reparationscenter påkrævet

Advarselskoder

Se f.eks. fig. 25 B, side 16.

Advarselskode	Fejl	Mulig årsag	Løsningsforslag
!WARNING 32	Blæser overstrøm	Intern fejl.	Sluk apparatet i mindst 5 min., gentilkobl det derefter. Hvis problemet fortsat findes, er en inspektion udført af et autoriseret reparationscenter påkrævet
!WARNING 33	Fejl ved kompressorstart		
!WARNING 34	Kompressorhastighed lav	<ul style="list-style-type: none"> Høj udenomstemperatur 	<ul style="list-style-type: none"> Sluk apparatet i mindst 30 min., eller flyt det til et køligere sted, genstart derefter
!WARNING 35	Regulering overtemperatur	<ul style="list-style-type: none"> Luftåbning blokeret eller utilstrækkelig afstand Intern fejl 	<ul style="list-style-type: none"> Frigør åbningerne Inspektion udført af autoriseret reparationscenter påkrævet
!WARNING 01	NTC åbent kredsløb SZ & DZ LARGE	Intern fejl	Inspektion udført af autoriseret reparationscenter påkrævet
!WARNING 11	NTC åbent kredsløb DZ SMALL		
!WARNING 02	NTC kortslutning SZ & DZ LARGE		
!WARNING 12	NTC kortslutning DZ SMALL		
!WARNING 09	Fejl ved DZ-ventil eller isterningemaskinfejl		Sluk apparatet i mindst 1 min., gentilkobl det derefter. Hvis problemet fortsat findes, er en inspektion udført af et autoriseret reparationscenter påkrævet
!WARNING 03/43	Kommunikationsfejl		

10 Garanti

Den lovbestemte garantiperiode gælder. Hvis produktet er defekt, bedes du kontakte din forhandler eller producentens afdeling i dit land (se dometic.com/dealer).

Ved reparation eller krav om garanti skal du medsende følgende bilag:

- en kopi af regningen med købsdato
- En reklamationsgrund eller en fejlbeskrivelse

11 Bortskaffelse



ADVARSEL! Risiko for, at børn kan blive lukket inde

Før det gamle køleapparat bortskaffes:

- Afmonter låget
- Lad kurvene blive siddende, så børn ikke nemt kan kravle ind i det.

Genbrug af emballagemateriale



- Bortskaf så vidt muligt emballagemateriale sammen med det tilsvarende genbrugsaffald.

Genbrug af produkter med batterier, genopladelige batterier eller lyskilder, der ikke kan udskiftes



- Hvis produktet indeholder batterier, genopladelige batterier eller lyskilder, der ikke kan udskiftes, skal du ikke fjerne dem før bortskaffelse.



- Hvis du vil bortskaffe produktet endegyldigt, skal du kontakte den nærmeste genbrugsstation eller din faghandel for at få de pågældende forskrifter om bortskaffelse.



- Produktet kan bortskaffes uden gebyr.

12 Tekniske data



BEMÆRK

Minimumtemperaturen, der vises i „kølekapacitet“, kan ikke opnås, hvis udenomstemperaturen er over 32 °C (90 °F) for modellerne CFX 3 25/35/45/55/55IM/100 eller udenomstemperaturen er over 30 °C (86 °F) for modellerne CFX 3 75DZ/95DZ (indstil lille -22 °C/stor +4 °C).

Godkendelse/certifikater:



	CFX3 25	CFX3 35
Tilslutningsspænding:	12/24 V=== 100-240 V~	
Mærkestrøm:	12 V===: 6,5 A 24 V===: 3,2 A 100 V~: 0,90 A 240 V~: 0,38 A	12 V===: 7,5 A 24 V===: 3,3 A 100 V~: 0,94 A 240 V~: 0,39 A
Kølekapacitet:	+20 °C til -22 °C (+68 °F til -8 °F)	
Klimaklasse:	N, T	
Udenomstemperatur:	+16 °C til +43 °C (+61 °F til +110 °F)	
USB-ladeport:	5 V===, 2 A	
Frekvensområde:	WiFi: 2412 MHz – 2472 MHz/2422 MHz – 2462 MHz Bluetooth/BLE: 2402 MHz – 2480 MHz	
Frekvensbånd (WiFi):	2,4 GHz	
RF-udgangseffekt:	WiFi: 16,62 dBm (802.11b), 16,23 dBm (802.11g), 16,45 dBm (802.11n20), 16,02 dBm (802.11n40) Bluetooth: 8,31 dBm Bluetooth LE: 6,67 dBm	
Kølemiddelmængde:	32 g	38 g
CO ₂ ækvivalent:	0,046 t	0,054 t
Drivhuspotentiale (GWP):	1430	
Mål (B x D x H) i mm (inkl. greb):	342 x 569 x 420	398 x 694 x 407
Vægt:	12,7 kg	16,9 kg

	CFX 3 45	CFX 3 55
Tilslutningsspænding:	12/24 V=== 100–240 V~	
Mærkestrøm:	12 V===: 8,2 A 24 V===: 3,5 A 100 V~: 0,96 A 240 V~: 0,40 A	12 V===: 8,7 A 24 V===: 3,7 A 100 V~: 0,98 A 240 V~: 0,41 A
Kølekapacitet:	+20 °C til -22 °C (+68 °F til -8 °F)	
Klimaklasse:	N, T	
Udenomstemperatur:	+16 °C til +43 °C (+61 °F til +110 °F)	
USB-ladeport:	5 V===, 2 A	
Frekvensområde:	WiFi: 2412 MHz – 2472 MHz/2422 MHz – 2462 MHz Bluetooth/BLE: 2402 MHz – 2480 MHz	
Frekvensbånd (WiFi):	2,4 GHz	
RF-udgangseffekt:	WiFi: 16,62 dBm (802.11b), 16,23 dBm (802.11g), 16,45 dBm (802.11n20), 16,02 dBm (802.11n40) Bluetooth: 8,31 dBm Bluetooth LE: 6,67 dBm	
Kølemiddelmængde:	42 g	45 g
CO ₂ ækvivalent:	0,060 t	0,064 t
Drivhuspotential (GWP):	1430	
Mål (B x D x H) i mm (inkl. greb):	398 x 694 x 476	720 x 455 x 480
Vægt:	18,7 kg	20,4 kg

	CFX3 55IM	CFX3 75DZ	CFX3 95DZ
Tilslutningsspænding:	12/24 V=== 100-240 V~		
Mærkestrøm:	12 V===: 8,9 A 24 V===: 3,8 A 100 V~: 1,00 A 240 V~: 0,42 A	12 V===: 9,6 A 24 V===: 4,2 A 100 V~: 1,12 A 240 V~: 0,47 A	12 V===: 10,4 A 24 V===: 4,6 A 100 V~: 1,22 A 240 V~: 0,51 A
Kølekapacitet:	+20 °C til -22 °C (+68 °F til -8 °F)		
Klimaklasse:	N, T		
Udenomstemperatur:	+16 °C til +43 °C (+61 °F til +110 °F)		
USB-ladeport:	5 V===, 2 A		
Frekvensområde:	WiFi: 2412 MHz – 2472 MHz/2422 MHz – 2462 MHz Bluetooth/BLE: 2402 MHz – 2480 MHz		
Frekvensbånd (WiFi):	2,4 GHz		
RF-udgangseffekt:	WiFi: 16,62 dBm (802.11b), 16,23 dBm (802.11g), 16,45 dBm (802.11n20), 16,02 dBm (802.11n40) Bluetooth: 8,31 dBm Bluetooth LE: 6,67 dBm		
Kølemiddelmængde:	45 g	59 g	67 g
CO ₂ ækvivalent:	0,064 t	0,084 t	0,096 t
Drivhuspotentiale (GWP):	1430		
Mål (B x D x H) i mm (inkl. greb):	720 x 455 x 480	892 x 495 x 472	962 x 530 x 472
Vægt:	21,3 kg	27,8 kg	29,8 kg

	CFX3 100
Tilslutningsspænding:	12/24 V=== 100-240 V~
Mærkestrøm:	12 V===: 10,8 A 24 V===: 4,8 A 100 V~: 1,28 A 240 V: 0,53 A
Kølekapacitet:	+20 °C til -22 °C (+68 °F til -8 °F)
Klimaklasse:	N, T
Udenomstemperatur:	+16 °C til +43 °C (+61 °F til +110 °F)
USB:	5 V===, 2 A
Frekvensområde:	WiFi: 2412 MHz – 2472 MHz/2422 MHz – 2462 MHz Bluetooth/BLE: 2402 MHz – 2480 MHz
Frekvensbånd (WiFi):	2,4 GHz
RF-udgangseffekt:	WiFi: 16,62 dBm (802.11b), 16,23 dBm (802.11g), 16,45 dBm (802.11n20), 16,02 dBm (802.11n40) Bluetooth: 8,31 dBm Bluetooth LE: 6,67 dBm
Kølemiddelmængde:	60 g
CO ₂ ækvivalent:	0,086 t
Drivhuspotential (GWP):	1430
Mål (B x D x H) i mm (inkl. greb):	962 x 530 x 472
Vægt:	29,6 kg

Kølekredsløbet indeholder R134a.

Dette produkt indeholder fluorerede drivhusgasser.

Køleenheden er lukket hermetisk.

Radioudstyret Dometic CFX3 25 til CFX3 100 opfylder kravene i direktivet 2014/53/EU. Du kan finde overensstemmelseserklæringen til enheden på documents.dometic.com.

Läs och följ noggrant alla instruktioner, direktiv och varningar i den här produkthandboken för att säkerställa att du alltid installerar, använder och underhåller produkten på rätt sätt. Dessa instruktioner MÅSTE förvaras tillsammans med produkten.

Genom att använda produkten bekräftar du härmed att du noggrant har läst alla instruktioner, direktiv och varningar och att du förstår och är införstådd med att följa de villkor som anges här. Du är införstådd med att endast använda denna produkt i avsett syfte och i enlighet med instruktionerna, direktiven och varningarna som anges i denna produkthandbok samt i enlighet med alla gällande lagar och bestämmelser. Om du inte läser och följer instruktionerna och varningarna som anges här kan det leda till personsador på dig eller andra, eller till skador på produkten eller annan egendom i närheten. Denna produkthandbok, inklusive instruktionerna, direktiven och varningarna samt relaterad information, kan ändras och uppdateras. För uppdaterad produktinformation, besök documents.dometic.com, dometic.com.

Innehållsförteckning

1	Symbolförklaring	242
2	Säkerhetsanvisningar	243
3	Leveransomfattning	246
4	Tillbehör	246
5	Avsedd användning	247
6	Funktionsbeskrivning	248
6.1	Funktioner	248
6.2	Reglage och indikeringskomponenter	249
7	Användning	250
7.1	Före den första användningen	250
7.2	Spara energi	250
7.3	Byta lockets öppningsriktning	250
7.4	Ansluta kylboxen	251
7.5	Använda kylboxen	251
7.6	Använda displayen	252
7.7	Låsa/låsa upp displayen	252
7.8	Välja temperaturenheter	252
7.9	Ställa in temperaturen	253
7.10	Använda batteriskyddet	253
7.11	Ställa in displayens ljusstyrka	253
7.12	Slå på eller av komponenter (endast CFX3 75DZ, CFX3 95DZ)	253
7.13	Använda ismaskinen (endast CFX3 55IM)	254
7.14	Ladda ner CFX3-appen	255
7.15	Ställa in Bluetooth-signalen och ansluta till appen	255
7.16	Ställa in WiFi-signalen och ansluta till appen	256
7.17	Ändra CFX-namn och lösenord i appen	256
7.18	Återställa appens lösenord (endast WiFi)	256
7.19	Återställa till fabriksinställningar	256

7.20	USB-anslutning för spänningsförsörjning	256
7.21	Avfrostas kylboxen	257
7.22	Byta säkringen för växelström	257
7.23	Byta säkringen för likström	257
7.24	Byta likströmskontaktens säkring	258
7.25	Byta ljuskretskort	258
8	Rengöring och skötsel	258
9	Felsökning	259
10	Garanti	261
11	Bortskaffning	262
12	Tekniska data	262

1 Symbolförklaring



FARA!

Säkerhetsanvisning: Anger en farlig situation som, om den inte kan undvikas, leder till döden eller allvarlig personskada.



VARNING!

Säkerhetsanvisning: Anger en farlig situation som, om den inte kan undvikas, kan leda till döden eller allvarlig personskada.



AKTA!

Säkerhetsanvisning: Anger en farlig situation som, om den inte kan undvikas, leder till lindrig eller måttlig personskada.



OBSERVERA!

Anger en situation som, om den inte kan undvikas, kan leda till materiell skada.



ANVISING

Kompletterande information om användning av produkten.

2 Säkerhetsanvisningar



FARA! Om man underlåter att följa de här varningarna blir följden dödsfall eller allvarlig personskada.

Risk för dödsfall på grund av elektricitet

- För båtar: Se till att strömförsörjningen är säkrad med en jordfelsbrytare.
- Ta inte tag i avskalade ledningar med händerna. Detta gäller framför allt vid drift med växelström.
- Kontrollera, innan apparaten tas i drift, att elkabeln och stickkontakten är torra.



WARNING! Om man underlåter att följa de här varningarna kan följden bli dödsfall eller allvarlig personskada.

Risk för dödsfall på grund av elektricitet

- Använd inte kylapparaten om den uppvisar synliga skador.
- Om kylapparatens elkabel skadas måste den bytas ut för att förhindra säkerhetsrisker.
- Denna kylapparat får endast repareras av härför utbildad personal. Om man utför reparationer på fel sätt kan man utsättas för avsevärda risker.
- Koppla in enheten i uttag med garanterat korrekt anslutning när enheten behöver jordas.

Brandrisk

- Kontrollera att elsladden inte har fastnat eller skadats i samband med placering av apparaten.
- Placera inte ut flera bärbara uttag eller bärbara nätaggregat bakom apparaten.
- Se till att ventilationsöppningarna på höljet eller i installationskonstruktionerna är fria från hinder.
- Använd inga mekaniska föremål eller andra medel för att snabba på avfrostningen, förutom om tillverkaren rekommenderar sådana föremål eller medel.
- Skada inte kylkretsen.

Hälsorisk

- Barn från åtta års ålder, personer med nedsatt fysisk, sensorisk eller mental förmåga, eller personer med bristande erfarenhet och kunskaper får använda den här apparaten förutsatt att de hålls under uppsikt eller om de har fått anvisningar om hur man använder den här apparaten på ett säkert sätt och känner till vilka risker som är förknippade med användningen.
- Barn får inte leka med apparaten.
- Utan uppsikt får barn inte utföra rengörings- eller underhållsarbeten.
- Barn i åldrarna tre till åtta år får lasta in eller ut varor i eller ur kylapparater.

Explosionsrisk

- Lagra inga ämnen som kan explodera i kylapparaten, som t.ex. sprayburkar med lättantändlig drivgas.



AKTA! Om man underlåter att följa de här försiktighetsåtgärderna kan följden bli lindrig eller måttlig personskada.

Risk för dödsfall på grund av elektricitet

- Koppla bort kylapparaten från strömförsörjningen
 - alltid före rengöring eller underhåll
 - alltid efter användning

Hälsorisk

Följ de nedanstående anvisningarna så att livsmedlen inte kontamineras:

- Kontrollera om produktens kyleffekt motsvarar kraven för de livsmedel eller mediciner du vill hålla kalla.
- Livsmedel får endast förvaras i originalförpackningarna eller i andra lämpliga behållare.
- Om kylapparaten hålls öppen under lång tid finns det risk att man får en betydande ökning av temperaturen i apparatens fack.
- Rengör med jämna mellanrum ytor som kan komma i kontakt med livsmedel och åtkomliga avloppssystem.
- Om apparaten står tom under lång tid:
 - Stäng av apparaten.
 - Avfrostas apparaten.
 - Rengör och torka apparaten.
 - Lämna locket öppet för att förhindra att det bildas mögel i apparaten.

**OBSERVERA! Risk för skada**

- Jämför spänningsuppgifterna på typsskylten med elförsörjningen på plats.
- Anslut endast kylapparaten på följande sätt:
 - Med en likströmskabeln till fordonets likströmsnät
 - Eller med växelströmsanslutningskabeln till växelströmsförsörjning
- Dra aldrig ut stickkontakten ur uttaget genom att dra i kabeln.
- Om kylapparaten är kopplad till ett likströmsuttag ska du koppla bort kylapparaten och andra förbrukare från fordonsbatteriet innan en snabbbladdare ansluts.
- Om kylapparaten är kopplad till ett likströmsuttag ska du koppla bort kylapparaten eller stänga av den när du stänger av motorn. Annars kan fordonsbatteriet laddas ur.
- Kylapparaten är inte avsedd för transport av frätande material eller material med lösningsmedel.
- Kylapparaten innehåller brännbart cyklopentan och det krävs särskilda rutiner för avfallshanteringen. När kylapparaten har uppnått slutet av livscykeln ska den lämnas till lämplig återvinningscentral.
- Använd inga elektriska produkter för arbeten inne i kylapparaten. Undantag: produkterna rekommenderas för sådan användning av tillverkaren.
- Ställ inte upp kylapparaten i närheten av öppen eld eller andra värmekällor (värmeelement, starkt solljus, gasspisar osv.).
- **Risk för överhettning!**

Kontrollera att det alltid finns minst 50 mm ventilationsutrymme på kylapparaten samtliga fyra sidor. Kontrollera att det inte finns några föremål i ventilationsutrymmet som skulle kunna hindra luftflödet till kylkomponenterna.

Placera inte kylapparaten i stängda fack eller utrymmen utan luftflöde eller med bara minimalt luftflöde.
- Se till att ventilationsöppningarna inte täcks över.
- Fyll inte innerfacket med vätskor eller is.
- Doppa aldrig ner kylapparaten i vatten.
- Skydda kylapparaten och kablarna mot värme och fukt.
- Apparaten får inte utsättas för regn.

3 Leveransomfattning

Del i bild 1, sida 3	Mängd	Beskrivning
1	1	Kylbox
2	1	Anslutningskabel för likströmsanslutning
3	1	Anslutningskabel för växelströmsanslutning

4 Tillbehör

Finns som tillbehör (ingår inte i leveransen):

Beteckning	Art.nr	Modell
Skyddshölje		
CFX3 25PC	9600028749	CFX3 25
CFX3 35PC	9600028455	CFX3 35
CFX3 45PC	9600028456	CFX3 45
CFX3 55PC	9600028457	CFX3 55
		CFX3 55IM
CFX3 75PC	9600028458	CFX3 75DZ
CFX3 95PC	9600028459	CFX3 95DZ
CFX3 100PC	9600028460	CFX3 100
Kylskjutplatta		
CFX3 SLD3545	9600028548	CFX3 35
		CFX3 45
CFX3 SLD55	9600028549	CFX3 55
		CFX3 55IM
CFX3 SLD75	9600028550	CFX3 75DZ
CFX3 SLD95100	9600028551	CFX3 95DZ
		CFX3 100

Beteckning	Art.nr	Modell
CFX3 app	–	passar alla modeller
PLB40	9600012878	passar alla modeller

Tänk på att CFX3-appen kanske inte finns i ditt land.

5 Avsedd användning

Kylboxen är avsedd för kylning av livsmedel. Kylboxen kan också användas i fordon. Kylboxen är avsedd för att drivas via ett likströmsuttag i ett fordon eller via ett växelströmsuttag.

Kylboxen kan även användas vid camping.

Kylboxen är avsedd att användas i hushåll eller liknande, som

- Personalkök i affärer, kontor eller andra arbetsmiljöer
- Bondgårdar
- För gäster på hotell, motell och andra typer av boenden
- Miljöer liknande bed&breakfast
- Catering och liknande tillämpningar utan försäljning

Kylboxen är **inte** avsedd för:

- förvaring av frätande, brännande eller lösningsbaserade ämnen

Kylboxen lämpar sig endast för avsedd användning i enlighet med denna bruksanvisning.

Den här manualen informerar om vad som krävs för att installera och/eller använda kylboxen på rätt sätt. Felaktig installation och/eller användning eller felaktigt underhåll kommer leda till att produkten inte fungerar optimalt och riskerar gå sönder.

Tillverkaren åtar sig inget ansvar för personskador eller materiella skador på produkten som uppstår till följd av:

- Felaktig montering eller anslutning, inklusive för hög spänning
- Felaktigt underhåll eller användning av reservdelar som inte är originaldelar från tillverkaren
- Ändringar som utförts utan uttryckligt medgivande från tillverkaren
- Användning för andra ändamål än de som beskrivs i denna bruksanvisning

Dometic förbehåller sig rätten att ändra produktens utseende och specifikationer.

6 Funktionsbeskrivning

Kylningsprocessen sker med hjälp av en kylkrets med kompressor som kräver mycket lite underhåll. Tack vare den generösa isoleringen och den kraftfulla kompressorn får man effektiv och snabb kylning.

Kylboxen är lämpad för mobil användning.

Kylboxen klarar en kort tids lutning på 30°.

6.1 Funktioner

- Nätdel med prioritetskoppling för anslutning till växelspanningsuttag
- Trestegs-batteriskydd som skyddar fordonets batteri
- Display med temperaturvisning i °C och °F
- Temperaturinställning i steg om 1 °C (1 °F)
- Integrerad WiFi- och Bluetooth-funktion som möjliggör styrning via app
- Hopfällbara bärhandtag
- USB-laddare för bärbara apparater som mobiltelefoner
- Uttagbar korg
- **Endast CFX3 55IM:** Ismaskin

6.2 Reglage och indikeringskomponenter

Lås för locket: bild **2**, sida 3

Kontrollpanel (bild **3**, sida 4):

Del	Beskrivning	Förklaring
1		Kylboxen slås på när knappen trycks in kortvarigt Kylboxen slås av när knappen trycks in tre sekunder Återgår till föregående meny
2	Display	Visar informationen ac : Växelström (elnät) är ansluten dcv : Likström (elnät) är ansluten  : Bluetooth är aktiverad  : WiFi är aktiverad  : Displayen är låst  : Kompressorn arbetar  : Ismaskinen arbetar (endast CFX3 55IM)
3		Tryck på  för att gå uppåt eller för att öka det värde som valts. Tryck på  för att gå nedåt eller för att minska det värde som valts. Tryck på  och  samtidigt i 3 s för att låsa eller låsa upp displayen.
4		Tryck för att välja en meny eller spara det värde som valts.

Anslutningsuttag (bild **4**, sida 4):

Del	Beskrivning
1	Anslutningsuttag för växelström
2	Anslutningsuttag för likström
3	Säkringshållare för likström
4	Säkringshållare för växelström

7 Användning

Observera följande så att du inte behöver kasta bort livsmedel:

- Temperaturen ska vara så jämn som möjligt. Öppna bara kylapparaten så ofta och så länge som är nödvändigt. Förvara livsmedlen på så sätt att luften kan cirkulera.
- Justera temperaturen efter mängden och typen av livsmedel.
- Livsmedel tar lätt upp eller utsöndrar lukter eller smaker. Livsmedel ska alltid förvaras övertäckta eller i förslutna behållare/flaskor.

7.1 Före den första användningen



ANVISNING

Innan kylboxen tas i drift ska den av hygieniska skäl torkas av in- och utvändigt med en fuktig trasa (se även kapitel "Rengöring och skötsel" på sidan 258).

7.2 Spara energi

- Välj en uppställningsplats med god ventilation som är skyddad mot direkt solljus.
- Låt varm mat svalna innan den läggs in i kylan.
- Öppna inte kylapparaten oftare än nödvändigt.
- Låt inte kylapparaten vara öppen längre än nödvändigt.
- Om kylboxen har en korg: För optimal energiförbrukning ska du placera korgen som den var placerad vid leveransen.
- Kontrollera med jämna mellanrum att lockets tätning sitter korrekt.

7.3 Byta lockets öppningsriktning

CFX3 55, CFX3 55IM, CFX3 100

- ▶ Gå tillväga enligt bilden (bild **5**, sida 5).

CFX3 75DZ, CFX3 95DZ

- ▶ Gå tillväga enligt bilden (bild **6**, sida 6).

7.4 Ansluta kylboxen



OBSERVERA! Risk för skada

- För att skydda apparaten har likströmskabeln utrustats med en säkring inuti kontakten. Ta **inte** bort likströmskontaktens säkring. Använd endast den medföljande likströmskabeln.
- Koppla bort kylboxen och andra förbrukare från batteriet innan en batteriladdare ansluts till batteriet. Överspänning kan skada apparatens elektronik.

Ansluta till ett batteri

- Gå tillväga enligt bilden (bild **7**, sida 7).

Ansluta via förlängd fast likströmskabel (endast CFX3 100)

- Gå tillväga enligt bilden (bild **8**, sida 8).

Ansluta till växelström



FARA! Risk för dödsfall på grund av elektricitet

- Ta inte i brytare eller kontakter med våta händer eller om du står på ett fuktigt underlag.
- Om kylboxen används på en båt och ansluts till växelström måste en jordfelsbrytare installeras mellan strömförsörjningen och kylboxen. Kontakta en behörig elektriker.

- Gå tillväga enligt bilden (bild **9**, sida 9).

7.5 Använda kylboxen



OBSERVERA! Risk för överhettning

Kontrollera alltid att det finns tillräckligt med ventilation så att den värme som alstras under driften kan skingras. Se till att ventilationsspringorna inte täcks över. Apparaten måste ha tillräckligt stort avstånd till vägg/andra föremål så att luften kan cirkulera fritt.



ANVISNING

Om man använder ett batteri för kylapparaten, stängs displayen automatiskt av om batterispänningen är låg.

- Slå på kylboxen: bild **10**, sida 9
- Stänga av kylboxen: bild **11**, sida 10

7.6 Använda displayen

Displaylägen (bild **12**, sida 10)

Del	Beskrivning
A	Standby
B	Viloläge
C	Låst

Displayöversikt: bild **13**, sida 11

Navigera i menyerna

Den markerade menyn är vald.

- ▶ Tryck på  för att gå uppåt.
- ▶ Tryck på  för att gå nedåt.

Välja en meny

- ▶ Tryck på  för att välja meny.

Ändra inställningar

Värdet eller inställningen som är markerat har valts.

- ▶ Tryck på  för att öka det valda värdet eller för att välja föregående inställning.
- ▶ Tryck på  för att minska det valda värdet eller för att välja nästa inställning.

Återgå till föregående meny

- ▶ Tryck på  för att återgå till föregående meny utan att spara.

7.7 Låsa/låsa upp displayen

- ▶ Tryck på  och  samtidigt i 3 s för att låsa eller låsa upp displayen (bild **14**, sida 11).

7.8 Välja temperaturenheter

- ▶ Gå tillväga enligt bilden (bild **15**, sida 11).

7.9 Ställa in temperaturen



OBSERVERA! Skaderisk på grund av för låg temperatur

Se till att det endast finns föremål resp. varor i kylaren som får kylas till den inställda temperaturen.

- Gå tillväga enligt bilden (bild **16**, sida 12).

7.10 Använda batteriskyddet

Apparaten har ett 3-steps batteriskydd. Batteriskyddet förhindrar att batteriet laddas ur för mycket när apparaten är ansluten till ett fordonsstartbatteri eller maximerar användningen av ett försörjningsbatteri.

När kylboxen används utan påslagen tändning i fordonet, stängs den av automatiskt om försörjningsspänningen sjunker under ett inställbart värde. Kylboxen startar så fort batteriet har laddats och återinkopplingsspänningen uppnås.



OBSERVERA! Risk för skada

När batteriskyddet har stängt av batteriet, laddas batteriet inte längre fullt. Undvik upprepade starter. Kontrollera att batteriet laddas igen.



ANVISNING

Välj batteriskyddsläge "MEDIUM" eller "HIGH" om kylboxen försörjs med hjälp av ett startbatteri. Om kylboxen ansluts till ett försörjningsbatteri, passar batteriskyddsläget "LOW".

- Gå tillväga enligt bilden (bild **17**, sida 13).

7.11 Ställa in displayens ljusstyrka

- Gå tillväga enligt bilden (bild **18**, sida 13).

7.12 Slå på eller av komponenter (endast CFX3 75DZ, CFX3 95DZ)

Du kan aktivera varje zon separat eller båda två.

- Gå tillväga enligt bilden (bild **19**, sida 14).

7.13 Använda ismaskinen (endast CFX 3 55IM)



ANVISNING

- Oberoende av huvudfacketts temperaturinställning är ismaskinen konstruerad för att göra isbitar när den är påslagen.
- Kylboxens effektbehov ökar när ismaskinen är på. Därför bör du stänga av ismaskinen när den inte behövs.
- Fabriksinställningen för ismaskinen är AV.

- ▶ Gå tillväga enligt bilden (bild **20**, sida 14).

Fylla isbrickorna med vatten

- ▶ Ta bort isbrickorna (bild **21** 1, sida 15) från ismaskinhöljet (bild **21** 2, sida 15).
- ▶ Ta bort isbrickeskydden, fyll på med rent vatten och sätt tillbaka skydden så att kanttätningen sluter tätt runt om.
- ▶ Sätt tillbaka isbrickorna i ismaskinhöljet och stäng locket.



ANVISNING

Torka upp eventuellt utspillt vatten under isbrickorna. Detta minskar isbildning under brickorna och gör det enklare att ta bort dem.

Ta ut iskuberna

- ▶ Öppna ismaskinhöljets lock och lyft under isbrickornas framsida.



ANVISNING

Vid borttagningen kan det krävas att man använder båda händerna om fuktigheten är så hög att is sitter fast under isbrickorna.

- ▶ Ta bort isbrickeskydden och vrid brickorna så att iskuberna lossnar.

Ta bort ismaskinhöljet

Ismaskinhöljet kan tas bort för rengöring eller för att frigöra plats i kylboxen när det inte används:

- ▶ Lyft höljet i ena änden tills det lossnar från fästet och ta sedan bort det.
- ▶ Gör detta i omvänd ordningsföljd för att sätta tillbaka höljet, genom att trycka ner höljet på fästena så det hakar fast.

Tips för att använda ismaskinen

- Ismaskinen gör is snabbt i ett antal timmar när den slagits på och övergår sedan automatiskt till ett isbehållningsläge för att minska effektbehovet. Om flera laddningar is behöver göras så snabbt som möjligt, är det bara att slå av maskinen och sedan slå på den igen så börjar den göra is snabbt igen. Upprepa efter behov.
- Det går inte att bibehålla lågt inställd frysackstemperatur i huvudfacket när omgivningstemperaturen är hög och ismaskinen är påslagen.

Rengöra och torka ismaskinen

- ▶ Rengör och torka ur isbrickorna och inuti ismaskinhöljet när maskinen inte används.
- ▶ Om inte maskinen har använts en längre tid ska isbrickorna rengöras inuti med en mild diskmedelslösning och sköljas av med rent vatten före användning.

7.14 Ladda ner CFX3-appen

Kylboxen kan övervakas och styras via Bluetooth eller WiFi med en app som du kan installera på en kompatibel enhet.

- ▶ Ladda ner appen CFX3 från App Store eller Google Play.



Tänk på att CFX3-appen kanske inte finns i ditt land.

7.15 Ställa in Bluetooth-signalen och ansluta till appen

Kylboxen kan övervakas och styras via Bluetooth. För att göra detta måste du parkoppla kylboxen med din Bluetooth-enhet.



ANVISNING

- Parkopplingen måste göras i CFX3-appen, inte i enhetens inställningar.
- Bluetooth-anslutningen kräver inget lösenord.

- ▶ Gå tillväga enligt bilden (bild **22**, sida 15).

7.16 Ställa in WiFi-signalen och ansluta till appen

Kylboxen kan övervakas och styras via WiFi direkt till kylboxen eller via ett WiFi-nät.

- ▶ Gå tillväga enligt bilden (bild **23**, sida 16) för att slå på WiFi.
- ▶ För WiFi direkt till kylboxen, gå till enhetens inställningar och välj kylboxen.
 - Kylboxens WiFi-namn börjar på "CFX3".
 - Det förinställda lösenordet är "00000000".
 - Du kan välja ett eget WiFi-namn och lösenord i CFX3-appen.



ANVISNING

För att ansluta via WiFi-nät, gå till "nätverksanslutning" i appens INSTÄLLNINGAR.

7.17 Ändra CFX-namn och lösenord i appen

- Du kan välja ett eget namn på din CFX i appen.
 - Samma namn gäller för både Bluetooth och WiFi.
 - Du kan också välja ett eget lösenord i appen, gäller endast WiFi.
- ▶ Gå till "CFX-namn och lösenord" i appens INSTÄLLNINGAR.

7.18 Återställa appens lösenord (endast WiFi)

Du kan återställa appens lösenord till fabriksinställningen "00000000".

- ▶ Gå tillväga enligt bilden (bild **23**, sida 16).

7.19 Återställa till fabriksinställningar

Återställningsfunktionen ändrar alla displaymenyer och app-fönster till de ursprungliga fabriksinställningarna.

- ▶ Gå tillväga enligt bilden (bild **24**, sida 16).

7.20 USB-anslutning för spänningsförsörjning

USB-anslutningen kan användas till laddning av små apparater som mobiltelefoner och MP3-spelare.



ANVISNING

Säkerställ att den lilla enheten som anslutits till USB-anslutningen kan köras med 5 V/2 A.

- ▶ Gå tillväga enligt bilden (bild **26**, sida 17).

7.21 Avfrosta kylboxen

Luftfuktigheten kan sätta sig som frost på förångaren eller i kylapparaten. Detta gör att kyleffekten minskar. Frosta då av apparaten så snart som möjligt.



OBSERVERA! Risk för skada

Använd inte hårda eller spetsiga verktyg för att ta bort is eller lossa på fastfrosna föremål.

Avfrosta kylboxen så här:

- ▶ Ta ut kylboxens innehåll.
- ▶ Förvara dem vid behov i en annan kylapparat så att de förblir kalla.
- ▶ Stäng av apparaten.
- ▶ Låt locket vara öppet.
- ▶ Torka bort avfrostningsvattnet.

7.22 Byta säkringen för växelström



FARA! Risk för dödsfall på grund av elektricitet

Innan man byter ut apparatens säkring ska man koppla från strömtillförseln och anslutningskabeln.

- ▶ Koppla från strömtillförseln från apparaten.
- ▶ Dra ut anslutningskabeln.
- ▶ Ta loss säkringshållaren (bild **4** 4, sida 4) med en skruvmejsel.
- ▶ Byt ut den trasiga glassäkringen mot en ny säkring av samma typ med samma värde (snabb, 4 A, 250 V).
- ▶ Tryck in säkringshållaren i håljet igen.
- ▶ Anslut strömtillförseln till apparaten igen.

7.23 Byta säkringen för likström

- ▶ Ta loss säkringsskyddet (bild **4** 3, sida 4) med en skruvmejsel.

- ▶ Vänd på säkringsskyddet och använd kroken för att ta bort den trasiga flatsäkringen.
- ▶ Sätt i en ny säkring av samma typ och värde.
- ▶ Montera tillbaka säkringsskyddet.

7.24 Byta likströmskontaktens säkring

- ▶ Byt ut den trasiga säkningen mot en ny av samma typ och värde.
- ▶ Gå tillväga enligt bilden (bild **27**, sida 17).

7.25 Byta ljuskretskort



OBSERVERA! Risk för skada

Lampan får endast bytas ut av tillverkaren, kundtjänst eller en person med liknande kvalifikationer för att förhindra fara.

8 Rengöring och skötsel



OBSERVERA! Risk för skada

- Rengör aldrig kylapparaten under rinnande vatten eller i diskvatten.
- Använd inga frätande rengöringsmedel eller hårda föremål vid rengöring, då dessa kan skada kylapparaten.

- ▶ Rengör emellanåt kylanordningen in- och utvändigt med en fuktig trasa.
- ▶ Kontrollera att luftnings-/ventilationsöppningarna är rena från damm och annat smuts. På så kan värmen avledas vid användning och produkten skadas inte.

9 Felsökning

Fel	Möjlig orsak	Lösning
Apparaten fungerar inte (likströmsläge, tändning på).	Det upptäcktes inte någon spänning i utgången för likström.	I de flesta fordon måste man första slå på tändningen innan det tillförs ström till utgången för likström.
	Utgången för likström är smutsig. Det ger dålig elektrisk kontakt.	Om apparatens stickkontakt blir mycket varm i uttaget för likström, måste antingen uttaget för likström rengöras eller så är stickkontakten möjligtvis inte korrekt ansluten.
	Likströmskontaktens säkring har gått.	Byt säkringen i likströmskontakten, se kapitel "Byta säkringen för likström" på sidan 257.
	Apparatens säkring för likström har gått.	Byt apparatens säkring för likström, se kapitel "Byta säkringen för likström" på sidan 257.
	Fordonets säkring har gått.	Byt säkringen för fordonets likströmsuttag. Se fordonets bruksanvisning.
Apparaten fungerar inte (växelströmsläge).	Ingen spänning i växelströmsuttaget.	Prova med ett annat uttag.
	Apparatens säkring för växelström har gått.	Byt apparatens säkring för växelström, se kapitel "Byta säkringen för växelström" på sidan 257.
	Den integrerade växelströmsadaptern är defekt.	Reparationer får endast utföras på en auktoriserad reparationscentral.
Displayen reagerar inte på knapptryckningar.	Displayen är låst.	Lås upp displayen, se kapitel "Låsa/låsa upp displayen" på sidan 252.
Appen kan inte styra apparaten.	Bluetooth eller WiFi har inte anslutits.	Anslut Bluetooth, se kapitel "Ställa in Bluetooth-signalen och ansluta till appen" på sidan 255, eller Anslut WiFi, se kapitel "Ställa in WiFi-signalen och ansluta till appen" på sidan 256.
Displayen visar ett larmmeddelande eller en varningskod.	–	Se tabellen nedan.

Larmmeddelanden

Se t.ex. bild **25** A, sida 16.

Larmmeddelande	Beskrivning	Möjlig orsak	Lösning
!ALERT - Lid open > 3 min	Locket öppet mer än 3 minuter	<ul style="list-style-type: none"> Locket är inte helt låst Internt fel 	<ul style="list-style-type: none"> Kontrollera att locket är helt låst Inspektion gjord av auktoriserad reparationscentral krävs
!ALERT - Voltage low	Apparaten har slutat fungera på likström på grund av låg spänning	<ul style="list-style-type: none"> Otillräcklig försörjningsspänning Batterispänningen är för låg Batteriskyddet är inställt för högt 	<ul style="list-style-type: none"> Kontrollera spänningsfallet från batteriet till eluttaget och öka vid behov ledningsdimensionen Kontrollera batteriet och ladda det vid behov Välj en lägre batteriskyddsinställning
	Apparaten har slutat fungera på likström på grund av onormalt hög spänning >31,5 V (osannolikt scenario – gäller endast elektronikskydd – använder samma varningsmeddelande som för låg spänning ovan)	<ul style="list-style-type: none"> Fel specifikation för likströmsspänning Fel försörjningsspänning Internt fel 	<ul style="list-style-type: none"> Kontrollera att specifikationen för likströmsspänningen överensstämmer med CFX3 -produktmärkningsetiketten Kontrollera likströmsspänningen och reparera eller byt ut vid defekt Inspektion gjord av auktoriserad reparationscentral krävs

Varningskoder

Se t.ex. bild **25** B, sida 16.

Varningskod	Fel	Möjlig orsak	Lösning
!WARNING 32	För hög ström på fläkten	Internt fel.	Stäng av apparaten i minst 5 minuter och starta den därefter igen. Om problemet kvarstår krävs inspektion gjord av auktoriserad reparationscentral
!WARNING 33	Startfel kompressor		

Varningskod	Fel	Möjlig orsak	Lösning
!WARNING 34	Låg hastighet kompressor	<ul style="list-style-type: none"> Hög omgivningstemperatur 	<ul style="list-style-type: none"> Stäng av apparaten i minst 30 minuter eller flytta den till ett kallare ställe och starta den sedan igen
!WARNING 35	För hög temperatur styrenhet	<ul style="list-style-type: none"> Ventilationsöppning blockerad eller otillräckligt fritt utrymme Internt fel 	<ul style="list-style-type: none"> Gör ventilationsöppningarna fria Inspektion gjord av auktoriserad reparationscentral krävs
!WARNING 01	NTC bruten krets SZ & DZ STOR	Internt fel	Inspektion gjord av auktoriserad reparationscentral krävs
!WARNING 11	NTC bruten krets DZ LITEN		
!WARNING 02	NTC kortslutning SZ & DZ STOR		
!WARNING 12	NTC kortslutning DZ LITEN		
!WARNING 09	DZ-ventil eller ismaskinventil defekt		Stäng av apparaten i minst 1 minut och starta den därefter igen. Om problemet kvarstår krävs inspektion gjord av auktoriserad reparationscentral
!WARNING 03/43	Kommunikationsfel		

10 Garanti

Den lagstadgade garantitiden gäller. Kontakta din återförsäljare eller tillverkarens representant i ditt land (se dometic.com/dealer) om produkten är defekt.

Vid reparations- och garantiärenden ska följande dokument skickas med när du returnerar produkten:

- En kopia på fakturan med inköpsdatum
- En reklamationsbeskrivning eller felbeskrivning

11 Bortskaffning



VARNING! Risk för att barn fastnar

Innan den gamla kylprodukten omhändertas:

- Demontera locket.
- Låt korgarna vara kvar så att barn inte utan vidare kan klättra in i skåpet.

Återvinning av förpackningsmaterial



- Lämna om möjligt förpackningsmaterialet till återvinning.

Återvinning av produkter med icke-utbytbara batterier, laddningsbara batterier eller ljuskällor



- Om produkten innehåller icke-utbytbara batterier, laddningsbara batterier eller ljuskällor behöver du inte avlägsna dem före kassering.



- När produkten slutgiltigt tas ur bruk: Informera dig om gällande bestämmelser hos närmaste återvinningscentral eller hos återförsäljaren.



- Produkten kan kasseras utan avgift.

12 Tekniska data



ANVISNING

Minimitemperaturen som står i "Kyleffekt" kan inte uppnås om omgivningstemperaturen är över 32 °C (90 °F) för modellerna CFX3 25/35/45/55/55IM/100 eller om omgivningstemperaturen är över 30 °C (86 °F) för modellerna CFX3 75DZ/95DZ (sätt liten – 22 °C/stor +4 °C).

Provning/certifikat:



	CFX3 25	CFX3 35
Anslutningsspänning:	12/24 V \equiv 100–240 V \sim	
Märkström:	12 V \equiv : 6,5 A 24 V \equiv : 3,2 A 100 V \sim : 0,90 A 240 V \sim : 0,38 A	12 V \equiv : 7,5 A 24 V \equiv : 3,3 A 100 V \sim : 0,94 A 240 V \sim : 0,39 A
Kyleffekt:	+20 °C till –22 °C (+68 °F till –8 °F)	
Klimatklass:	N, T	
Omgivningstemperatur:	+16 °C till +43 °C (+61 °F till +110 °F)	
USB-laddanslutning:	5 V \equiv , 2 A	
Frekvensområde:	WiFi: 2412 MHz – 2472 MHz / 2422 MHz – 2462 MHz Bluetooth/BLE: 2402 MHz – 2480 MHz	
Frekvensband (WiFi):	2,4 GHz	
RF utgångseffekt:	WiFi: 16,62 dBm (802.11b), 16,23 dBm (802.11g), 16,45 dBm (802.11n20), 16,02 dBm (802.11n40) Bluetooth: 8,31 dBm Bluetooth LE: 6,67 dBm	
Köldmediemängd:	32 g	38 g
CO ₂ motsvarande:	0,046 t	0,054 t
Global uppvärmning- potential (GWP):	1430	
Mått (B x D x H) i mm (inklusive handtag):	342 x 569 x 420	398 x 694 x 407
Vikt:	12,7 kg	16,9 kg

	CFX3 45	CFX3 55
Anslutningsspänning:	12/24 V=== 100-240 V~	
Märkström:	12 V===: 8,2 A 24 V===: 3,5 A 100 V~: 0,96 A 240 V~: 0,40 A	12 V===: 8,7 A 24 V===: 3,7 A 100 V~: 0,98 A 240 V~: 0,41 A
Kyleffekt:	+20 °C till -22 °C (+68 °F till -8 °F)	
Klimatklass:	N, T	
Omgivningstemperatur:	+16 °C till +43 °C (+61 °F till +110 °F)	
USB-laddanslutning:	5 V===, 2 A	
Frekvensområde:	WiFi: 2412 MHz – 2472 MHz / 2422 MHz – 2462 MHz Bluetooth/BLE: 2402 MHz – 2480 MHz	
Frekvensband (WiFi):	2,4 GHz	
RF utgångseffekt:	WiFi: 16,62 dBm (802.11b), 16,23 dBm (802.11g), 16,45 dBm (802.11n20), 16,02 dBm (802.11n40) Bluetooth: 8,31 dBm Bluetooth LE: 6,67 dBm	
Köldmediemängd:	42 g	45 g
CO ₂ motsvarande:	0,060 t	0,064 t
Global uppvärmning- potential (GWP):	1430	
Mått (B x D x H) i mm (inklusive handtag):	398 x 694 x 476	720 x 455 x 480
Vikt:	18,7 kg	20,4 kg

	CFX3 55IM	CFX3 75DZ	CFX3 95DZ
Anslutningsspänning:	12/24 V=== 100-240 V~		
Märkström:	12 V===: 8,9 A 24 V===: 3,8 A 100 V~ : 1,00 A 240 V~ : 0,42 A	12 V===: 9,6 A 24 V===: 4,2 A 100 V~ : 1,12 A 240 V~ : 0,47 A	12 V===: 10,4 A 24 V===: 4,6 A 100 V~ : 1,22 A 240 V~ : 0,51 A
Kyleffekt:	+20 °C till -22 °C (+68 °F till -8 °F)		
Klimatklass:	N, T		
Omgivningstemperatur:	+16 °C till +43 °C (+61 °F till +110 °F)		
USB-laddanslutning:	5 V===, 2 A		
Frekvensområde:	WiFi: 2412 MHz – 2472 MHz / 2422 MHz – 2462 MHz Bluetooth/BLE: 2402 MHz – 2480 MHz		
Frekvensband (WiFi):	2,4 GHz		
RF utgångseffekt:	WiFi: 16,62 dBm (802.11b), 16,23 dBm (802.11g), 16,45 dBm (802.11n20), 16,02 dBm (802.11n40) Bluetooth: 8.31 dBm Bluetooth LE: 6.67 dBm		
Köldmediemängd:	45 g	59 g	67 g
CO ₂ motsvarande:	0,064 t	0,084 t	0,096 t
Global uppvärmning- potential (GWP):	1430		
Mått (B x D x H) i mm (inklusive handtag):	720 x 455 x 480	892 x 495 x 472	962 x 530 x 472
Vikt:	21,3 kg	27,8 kg	29,8 kg

	CFX3 100
Anslutningsspänning:	12/24 V=== 100–240 V~
Märkström:	12 V===: 10,8 A 24 V===: 4,8 A 100 V~: 1,28 A 240 V: 0,53 A
Kyleffekt:	+20 °C till -22 °C (+68 °F till -8 °F)
Klimatklass:	N, T
Omgivningstemperatur:	+16 °C till +43 °C (+61 °F till +110 °F)
USB:	5 V===, 2 A
Frekvensområde:	WiFi: 2412 MHz – 2472 MHz / 2422 MHz – 2462 MHz Bluetooth/BLE: 2402 MHz – 2480 MHz
Frekvensband (WiFi):	2,4 GHz
RF utgångseffekt:	WiFi: 16,62 dBm (802.11b), 16,23 dBm (802.11g), 16,45 dBm (802.11n20), 16,02 dBm (802.11n40) Bluetooth: 8,31 dBm Bluetooth LE: 6,67 dBm
Köldmediemängd:	60 g
CO ₂ motsvarande:	0,086 t
Global uppvärmning- spotential (GWP):	1430
Mått (B x D x H) i mm (inklusive handtag):	962 x 530 x 472
Vikt:	29,6 kg

Kylkretsen innehåller R134a.

Innehåller fluorerade växthusgaser.

Kylenheten är hermetiskt tillsluten.

Radioutrustningarna Dometic CFX3 25 till CFX3 100 uppfyller kraven enligt direktiv 2014/53/EU. Försäkran om överensstämmelse för din enhet finns på documents.dometic.com.

Vennligst les disse instruksjonene nøye og følg alle instruksjoner, retningslinjer og advarsler som er inkludert i denne produktveiledningen for å sikre at du installerer, bruker og vedlikeholder produktet ordentlig til enhver tid. Disse instruksjonene MÅ følge med dette produktet.

Ved å bruke dette produktet bekrefter du at du har lest alle instruksjoner, retningslinjer og advarsler nøye, og at du forstår og aksepterer å overholde betingelsene og vilkårene slik de er presentert her. Du godtar å bruke dette produktet kun til tiltenkt formål og anvendelse, og i samsvar med instruksjonene, retningslinjene og advarslene slik de er presentert i denne produktveiledningen, så vel som i samsvar med alle gjeldende lovbestemmelser og forskrifter. Hvis instruksjonene og advarslene som er presentert her, ikke blir lest og fulgt, kan dette resultere i personskader hos deg selv eller andre, skade på produktet eller skade på annen eiendom i nærheten. Denne produktveiledningen, inkludert instruksjonene, retningslinjene og advarslene, samt relatert dokumentasjon, kan være underlagt endringer og oppdateringer. For oppdatert produktinformasjon, se documents.dometic.com, dometic.com.

Innhold

1	Symbolforklaring	268
2	Sikkerhetsregler	269
3	Leveringsomfang	271
4	Tilbehør	272
5	Tiltenkt bruk	272
6	Funksjonsbeskrivelse	273
6.1	Funksjonsomfang	274
6.2	Betjenings- og visningselementer	274
7	Betjening	275
7.1	Før første gangs bruk	275
7.2	Spare strøm	276
7.3	Snu lokkets åpningsretning	276
7.4	Koble til kjøleboksen	276
7.5	Bruke kjøleboksen	277
7.6	Bruke displayet	277
7.7	Låsing/opplåsing av displayet	278
7.8	Velge temperaturenheter	278
7.9	Innstilling av temperaturen	278
7.10	Bruk av batteribeskyttelsen	279
7.11	Innstilling av displayets lysstyrke	279
7.12	Slå på eller av rommene (kun CFX3 75DZ, CFX3 95DZ)	279
7.13	Bruke isbitlageren (kun CFX 3 55IM)	279
7.14	Nedlasting av CFX3-appen	281
7.15	Innstilling av Bluetooth-signalet og tilkobling til appen	281
7.16	Innstilling av wiFi-signalet og tilkobling til appen	281
7.17	Endre CFX-navn og passord i appen	282
7.18	Tilbakestille appens passord (kun WiFi)	282
7.19	Tilbakestille til fabrikkinnstillingene	282

7.20	USB-tilkobling for spenningsforsyning	282
7.21	Avrime kjøleboksen	282
7.22	Skifte vekselstrømsikring	283
7.23	Skifte likestrømsikring	283
7.24	Skifte ut likestrømpluggsikring	284
7.25	Skifte lyskort	284
8	Rengjøring og vedlikehold	284
9	Feilretting	285
10	Garanti	287
11	Avfallsbehandling	288
12	Tekniske spesifikasjoner	288

1 Symbolforklaring



FARE!

Sikkerhetsregel: Kjennetegner en farlig situasjon som - dersom den ikke unngås - resulterer i alvorlige personskader, eventuelt med døden til følge.



ADVARSEL!

Sikkerhetsregel: Kjennetegner en farlig situasjon som - dersom den ikke unngås - kan resultere i alvorlige personskader, eventuelt med døden til følge.



FORSIKTIG!

Sikkerhetsregel: Kjennetegner en farlig situasjon som - dersom den ikke unngås - kan resultere i mindre til moderate personskader.



PASS PÅ!

Kjennetegner en situasjon som - dersom den ikke unngås - kan resultere i materielle skader.



MERK

Ytterligere informasjon om betjening av produktet.

2 Sikkerhetsregler



FARE! Manglende overholdelse av disse advarslene resulterer i alvorlige personskader, eventuelt med døden til følge.

Fare for elektrisk støt

- For båter: Ved nettdrift må apparatet være sikret via en jordfeilbryter.
- Ikke berør blanke ledninger med bare hender. Dette gjelder spesielt ved drift fra vekselstrømnettet.
- Sikre at strømkabelen og støpselet er tørre før apparatet startes opp.



ADVARSEL! Manglende overholdelse av disse advarslene kan resultere i alvorlige personskader, eventuelt med døden til følge.

Fare for elektrisk støt

- Kjøleapparatet må ikke tas i bruk hvis det har synlige skader.
- Hvis denne kjøleenhetsens strømkabel er skadd må den erstattes for å forhindre sikkerhetsrisikoer.
- Reparasjoner på dette kjøleapparatet må kun utføres av kvalifiserte fagfolk. Utilstrekkelige reparasjoner kan medføre betydelige farer.
- Plugg apparatet til kontakter som sikrer en ordentlig forbindelse, spesielt når apparatet trenger å jordes.

Brannfare

- Ved posisjonering av apparatet må det sørges for at tilførselsledningen ikke sitter fast eller skades.
- Ikke plasser flere mobile strømkontakter eller mobile strømforsyninger bak på apparatet.
- Hold lufteåpningene på apparathuset eller i innbyggingskonstruksjonen fri for hindringer.
- Bruk ikke noen mekaniske gjenstander eller andre midler for å framskynde tineprosessen, unntatt når de er anbefalt for dette av produsenten.
- Unngå å skade kuldekreisløpet.

Helsefare

- Dette apparatet kan brukes av barn fra 8 år og oppover og personer med reduserte fysiske, sensoriske eller mentale evner eller som mangler erfaring og kunnskap, hvis de er under oppsyn eller har fått veiledning i hvordan apparatet brukes på en forsvarlig måte og forstår hvilke farer det innebærer.

- Barn må ikke leke med apparatet.
- Rengjøring og vedlikehold skal ikke utføres av barn uten at de er under oppsyn.
- Barn i alderen 3–8 år får lov til å laste og losse kjøleapparater.

Eksplisjonsfare

- Ikke lagre eksplosjonsfarlige stoffer som f.eks. spraybokser med antennelig drivgass i kjøleapparatet.



FORSIKTIG! Manglende overholdelse av disse forsiktighetsvarslene kan resultere i mindre til moderate personskader.

Fare for elektrisk støt

- Koble kjøleapparatet fra strømforsyningen.
 - Før rengjøring og vedlikehold
 - Etter hver bruk

Helsefare

For å unngå at matvarene blir fordervet må følgende instruksjoner respekteres:

- Kontroller om apparatets kjøleeffekt oppfyller kravene til næringsmidlene eller medikamentene du ønsker å kjøle.
- Næringsmidler må oppbevares i originalforpakning eller i egnede beholdere.
- Det å åpne kjøleapparater for en lengre periode kan føre til en vesentlig økning av temperaturen i enhetens rom.
- Overflater som kan komme i kontakt med matvarer og tilgjengelige deler av dreneringssystemet må rengjøres regelmessig.
- Hvis enheten blir værende tom over lengre tid:
 - Slå av apparatet.
 - Avrim apparatet.
 - Rengjør og tørk apparatet.
 - La lokket være åpent for å unngå muggdannelse inne i apparatet.



PASS PÅ! Fare for skader

- Kontroller at spenningsspesifikasjonene på merkeskiltet tilsvarer den tilgjengelige strømtilførselen.
- Koble kun til kjøleapparatet på følgende måte:
 - Med likestrømstilkoblingskabelen til et likestrømsstrømuttak i kjøretøyet
 - Eller med vekselstrømtilkoblingskabelen til et vekselstrømuttak
- Trekk aldri ut støpselet fra stikkkontakten etter kabelen.

- Hvis kjøleapparatet er koblet til en likestrømforsyning, kobler du kjøleapparatet og andre forbrukere fra batteriet før du kobler til hurtigladeren.
- Hvis kjøleapparatet er koblet til en likestrømforsyning, kobler du fra kjøleapparatet eller slår det av når du skruer av motoren. Ellers kan kjøretøybatteriet lades ut.
- Kjøleapparatet er ikke egnet for transport av etsende eller løsemiddelholdige stoffer.
- Isolasjonen av kjøleapparatet inneholder antenkelig cyklopentan og krever en spesiell bortskaffingsprosess. Lever kjøleenheten på slutten av sin levetid til egnet resirkuleringsstasjon.
- Ikke bruk elektriske apparater inne i kjøleapparatet, med mindre de anbefales av produsenten for formålet.
- Ikke plasser kjøleapparatet i nærheten av åpen ild eller andre varmekilder (radiatorer, direkte sollys, gassovner osv.).
- **Fare for overopphetning!**
Se til at det finnes minimum 50 mm ventilasjon på alle fire sider av kjøleapparatet. Hold ventilasjonsområdet fritt for eventuelle objekter som kunne begrense luftstrømmen til kjølekomponentene. Ikke plasser kjøleapparatet i lukkede rom eller områder med ingen eller minimal luftstrøm.
- Pass på at lufteåpningene ikke blir blokkert.
- Ikke fyll den indre beholderen med is eller væsker.
- Ikke dykk kjøleapparatet ned i vann.
- Beskytt kjøleapparatet og kablene mot varme og fuktighet.
- Apparatet må ikke utsettes for regn.

3 Leveringsomfang

Posisjon i fig. 1, side 3	Antall	Beskrivelse
1	1	Kjøleboks
2	1	Tilkoblingskabel for likestrøm-kontakt
3	1	Tilkoblingskabel for vekselstrøm-kontakt

4 Tilbehør

Tilgjengelig som tilbehør (ikke inkludert i leveransen):

Betegnelse	Art.nr.	Modell
Beskyttelsesdeksel		
CFX3 25PC	9600028749	CFX3 25
CFX3 35PC	9600028455	CFX3 35
CFX3 45PC	9600028456	CFX3 45
CFX3 55PC	9600028457	CFX3 55
		CFX3 55IM
CFX3 75PC	9600028458	CFX3 75DZ
CFX3 95PC	9600028459	CFX3 95DZ
CFX3 100PC	9600028460	CFX3 100
Kjøleskapskyver		
CFX3 SLD3545	9600028548	CFX3 35
		CFX3 45
CFX3 SLD55	9600028549	CFX3 55
		CFX3 55IM
CFX3 SLD75	9600028550	CFX3 75DZ
CFX3 SLD95100	9600028551	CFX3 95DZ
		CFX3 100
CFX3 app	–	passer for alle modeller
PLB 40	9600012878	passer for alle modeller

Merk deg at CFX3-appen kanskje ikke er tilgjengelig i ditt land.

5 Tiltenkt bruk

Kjøleboksen er beregnet på nedkjøling av matvarer. Kjøleboksen er også egnet til bruk på kjøretøyer. Kjøleboksen er beregnet for drift med en likestrømsstikkontakt i kjøretøy eller fra en vekselstrømforsyning.

Kjøleboksen er også egnet for campingbruk.

Kjøleboksen er ment for bruk i husholdningen og lignende anvendelser som for eksempel

- personalkjøkken i butikker, kontorer og andre arbeidsomgivelser
- herregårder
- hoteller, moteller og andre bomiljøer
- Bed & Breakfast-steder
- catering og lignende virksomheter

Kjøleboksen er **ikke** egnet for:

- oppbevaring av korrosive, kaustiske stoffer eller stoffer som inneholder løsemidler

Denne kjøleboksen er kun egnet for det tiltenkte formålet og anvendelsen i samsvar med disse instruksjonene.

Denne håndboken gir informasjon som er nødvendig for en ordentlig installasjon og/eller drift av kjøleboksen. Dårlig installasjon og/eller upassende drift eller vedlikehold vil resultere i en utilfredsstillende ytelse og en mulig svikt.

Produsenten påtar seg intet ansvar for personskader eller materielle skader på produktet som følge av:

- Ikke korrekt montering eller tilkobling, inkludert for høy spenning
- Ikke korrekt vedlikehold eller bruk av reservedeler foruten de originale reservedelene som leveres av produsenten
- Endringer på produktet uten at det er gitt uttrykkelig godkjenning av produsenten
- Bruk til andre formål enn det som er beskrevet i denne håndboken

Dometic forbeholder seg rettigheten til å endre produktet ytre og produktspesifikasjoner.

6 Funksjonsbeskrivelse

Kjølingen skjer ved hjelp av et kjølekretsløp med kompressor med minimalt vedlikeholdsbehov. Den generøse isoleringen og kraftige kompressoren sørger for en effektiv og rask kjøling.

Kjøleboksen er egnet for mobil bruk.

Kjøleren kan tåle en kortsiktig stigning på 30°.

6.1 Funksjonsomfang

- Strømforsyning med prioritetskobling for tilkobling til vekselstrømforsyning
- 3-trinns batteribeskyttelse for beskyttelse av kjøretøybatteriet
- Display med temperaturindikering i °C og °F
- Temperaturinnstilling i trinn på 1 °C (1 °F)
- Integreert WiFi- og Bluetooth-funksjon, og dermed styrbar ved bruk av en app
- Sammenleggbare bærehåndtak
- USB-lader for bærbare enheter slik som mobiltelefoner
- Uttakbar kurvinnsetning
- **Kun CFX3 55IM:** Islager

6.2 Betjenings- og visningselementer

Sperre for lokk: fig. 2 1, side 3

Betjeningspanel (fig. 3, side 4):

Element	Beskrivelse	Forklaring
1		Slår kjøleboksen på når knappen trykkes kort Slår kjøleboksen av når knappen trykkes inn i tre sekunder Går tilbake til forrige meny
2	Display	Viser informasjonen AC : Vekselstrømnett er tilkoblet DCV : Likestrømnett er tilkoblet  : Bluetooth er aktivert  : WiFi er aktivert  : Display er sperret  : Kompressoren går  : Islageren går (kun CFX3 55IM)

Element	Beskrivelse	Forklaring
3		Trykk  for å navigere oppover eller øke valgt verdi. Trykk  for å navigere nedover eller redusere valgt verdi. Trykk  og  samtidig i 3 sekunder for å sperre eller sperre opp displayet.
4		Trykk for å velge en meny eller lagre valgt verdi.

Pluggtilkoblinger (fig. 4, side 4):

Element	Beskrivelse
1	Tilkoblingskontakt vekselspenningsforsyning
2	Tilkoblingskontakt likespenningforsyning
3	Likestrøm-sikringsholder
4	Vekselstrøm-sikringsholder

7 Betjening

For å unngå matsvinn, skal du gjøre følgende:

- Hold temperatursvingningen så lav som mulig. Åpne kjøleapparatet bare så ofte og så lenge som nødvendig. Lagre matvarene slik at luften kan sirkulere godt.
- Juster temperaturen etter mengde og type matvarer.
- Matvarer kan enkelt absorbere eller friggi lukt eller smak. Oppbevar alltid matvarene tildekket eller i lukkede beholdere/flasker.

7.1 Før første gangs bruk



MERK

Før du starter den nye kjøleboksen for første gang, skal du rengjøre den på innsiden og utsiden med en fuktig klut av hygieniske grunner (se også kapittel «Rengjøring og vedlikehold» på side 284).

7.2 Spare strøm

- Velg et sted som har god ventilasjon, og som er beskyttet mot direkte solstråler.
- Kjøøl ned varme matvarer før du setter dem inn i kjøleboksen for å holde dem kjølige.
- Ikke åpne kjøleboksen oftere enn nødvendig.
- Ikke la kjøleboksen stå åpen lenger enn nødvendig.
- Hvis kjøleboksen har en kurv: For et optimalt strømforbruk plasserer du kurven i henhold til dens posisjon ved levering.
- Kontroller regelmessig at lokketetningen fortsatt passer riktig.

7.3 Snu lokkets åpningsretning

CFX3 55, CFX3 55IM, CFX3 100

- ▶ Gå frem som vist (fig. **5**, side 5).

CFX3 75DZ, CFX3 95DZ

- ▶ Gå frem som vist (fig. **6**, side 6).

7.4 Koble til kjøleboksen



PASS PÅ! Fare for skader

- For beskyttelse av enheten har den medfølgende likestrømkabelen en sikring på inne i pluggen. **Ikke** fjern den sikrede likestrømpluggen. Bruk kun den medfølgende likestrømkabelen.
- Koble fra kjøleboksen og andre forbrukere fra batteriet før du lader opp batteriet med hurtiglader. Overspenninger kan skade apparatets elektronikk.

Tilkobling til et batteri

- ▶ Gå frem som vist (fig. **7**, side 7).

Tilkobling via forlengt likestrømskabling (kun CFX 3 100)

- ▶ Gå frem som vist (fig. **8**, side 8).

Tilkobling til et vekselstrømnett



FARE! Fare for elektrisk støt

- Ta aldri i støpsler og brytere med våte hender eller hvis det er vått der du står.
- Hvis du bruker kjøleboksen med vekselspenningsforsyning om bord på en båt, må du koble en jordfeilbryter mellom vekselspenningsforsyningen og kjøleboksen. Be om råd fra fagfolk.

► Gå frem som vist (fig. **9**, side 9).

7.5 Bruke kjøleboksen



PASS PÅ! Fare for overopphetning

Sørg for at det alltid er tilstrekkelig ventilasjon, slik at varmen som oppstår under drift kan føres bort. Pass på at luftenåpningene ikke blokkeres. PÅSE at apparatet står langt nok unna vegger eller gjenstander, slik at luften kan sirkulere.



MERK

Ved drift med batteri slås displayet av automatisk hvis batterispenningen er lav.

- Slå på kjøleboksen: fig. **10**, side 9
- Slå av kjøleboksen: fig. **11**, side 10

7.6 Bruke displayet

Displaytilstander (fig. **12**, side 10)

Element	Beskrivelse
A	Klar til drift
B	Ikke i drift
C	Sperret

Displayoversikt: fig. 13, side 11**Navigere gjennom menyene**

Den fremhevede menyen er valgt.

- ▶ Trykk  for å navigere oppover.
- ▶ Trykk  for å navigere nedover.

Velge en meny

- ▶ Trykk på  for å velge ønsket meny.

Endre innstillinger

Den fremhevede verdien eller innstillingen er valgt.

- ▶ Trykk på  for å øke den valgte verdien eller å velge den foregående innstillingen.
- ▶ Trykk på  for å redusere den valgte verdien eller å velge den neste innstillingen.

Gå tilbake til forrige meny

- ▶ Trykk på  for å gå tilbake til forrige meny uten å lagre.

7.7 Låsing/opplåsing av displayet

- ▶ Trykk  og  samtidig i 3 sekunder for å låse eller låse opp displayet (fig. 14, side 11).

7.8 Velge temperatureheter

- ▶ Gå frem som vist (fig. 15, side 11).

7.9 Innstilling av temperaturen**PASS PÅ! Fare for skade fra ekstremt lav temperatur**

Pass på at kun elementer, hhv. Varer som befinner seg i kjøleboksen og som tåler nedkjøling blir nedkjølt til innstilt temperatur.

- ▶ Gå frem som vist (fig. 16, side 12).

7.10 Bruk av batteribeskyttelsen

Enheten er utstyrt med 3-trinns batteribeskyttelse. Batteribeskyttelsen forhindrer ekstrem utlading hvis enheten er tilkoblet til startbatteriet til et kjøretøy, eller maksimerer bruken av et forsyningsbatteri.

Hvis kjøleboksen brukes i kjøretøyet når tenningen er avslått, kobler kjølesystemet seg ut automatisk når tilførselsspenningen faller under en innstillbar verdi. Kjøleboksen slår seg på automatisk igjen straks gjeninnkoblingsspenningen nås ved at batteriet lades opp.



PASS PÅ! Fare for skader

Når batteriet slås av via batteribeskyttelsen, har det ikke lenger full ladekapasitet. Unngå å starte gjentatte ganger. Sørg for å lade opp batteriet igjen.



MERK

Når kjøleboksen forsynes fra et starterbatteri velger du batteribeskyttelsesmodus «MEDIUM» eller «HIGH». Hvis kjøleboksen er tilkoblet et forsyningsbatteri er batteribeskyttelsesmodus «LOW» optimalt.

- Gå frem som vist (fig. **17**, side 13).

7.11 Innstilling av displayets lysstyrke

- Gå frem som vist (fig. **18**, side 13).

7.12 Slå på eller av rommene (kun CFX 3 75DZ, CFX 3 95DZ)

Du kan aktivere hver sone individuelt, eller begge to.

- Gå frem som vist (fig. **19**, side 14).

7.13 Bruke isbitlageren (kun CFX 3 55IM)



MERK

- Uavhengig av hovedrommets temperaturinnstilling er isbitlageren konstruert for å lage isbiter når isbitlageren er slått på.
- Kjøleboksens energiforbruk øker når isbitlageren er på. Derfor bør du slå av isbitlageren når den ikke trengs.
- Fabrikkinnstillingen for isbitlageren er OFF.

- ▶ Gå frem som vist (fig. 20, side 14).

Fylle isbitformene med drikkevann

- ▶ Fjern isbitformene (fig. 21 1, side 15) fra islagerhuset (fig. 21 2, side 15).
- ▶ Fjern dekslene til isbitformene, fyll på med rent vann og sett på dekslene igjen mens du sørger for å presse kanttetningen på plass rundt det hele.
- ▶ Plasser isbitformene i islagerhuset igjen og lukk lokket.



MERK

Tørk bort vannrester fra undersiden av isbitformene. Dette vil redusere isdannelse oppunder formene og gjøre det lettere å ta dem ut.

Ta ut isbitene

- ▶ Åpne islagerhusets lokk og løft under fronten av isbitformene.



MERK

Fjerning kan kreve å bruke to hender ved høy luftfuktighet, noe som kan danne et islag under isbitformene.

- ▶ Fjern isbitformens deksler og vri på formene for å løsne isbitene.

Fjerne islagerhuset

Islagerhuset kan fjernes for rengjøring eller dersom det ikke er i bruk, for å øke nytteplassen inne i kjøleboksen:

- ▶ Løft huset på den ene enden helt til grepet løsner og fjern det.
- ▶ Utfør prosedyren i motsatt rekkefølge for gjeninnsetting, skyv ned på grepene for å smekke det i posisjon.

Tips for bruk av isbitlageren

- Isbitlageren lager is raskt i noen timer etter at den slås på, og deretter går den automatisk over i en isbevaringsmodus for å redusere energiforbruket. Hvis flere partier med is kreves så snart som mulig, vil det å slå isbitlageren av og på igjen sette den i hurtiglagermodus igjen. Gjenta etter behov.
- Lave frysetemperaturinnstillinger i hovedrommet kan eventuelt ikke opprettholdes ved høye omgivelsestemperaturer når isbitlageren er slått på.

Rengjøring og tørking av isbitlageren

- ▶ Når de ikke er i bruk må isbitformene og innsiden av islagerhuset rengjøres og tørkes for å forhindre mugg.
- ▶ Etter lange perioder ute av bruk må du rengjøre innsiden av isbitformene med et mildt oppvaskmiddel og skylle med rent vann før bruk.

7.14 Nedlasting av CFX3-appen

Kjøleboksen kan overvåkes og styres via Bluetooth eller WiFi ved hjelp av en app som du kan installere på en kompatibel enhet.

- ▶ Last ned CFX3-appen fra App Store eller Google Play.



Merk deg at CFX3-appen kanskje ikke er tilgjengelig i ditt land.

7.15 Innstilling av Bluetooth-signalet og tilkobling til appen

Kjøleboksen kan overvåkes og styres via Bluetooth. For å gjøre dette må du matche kjøleboksen med din Bluetooth-enhet.



MERK

- Paring må gjøres i CFX3-appen, ikke via enhetsinnstillingene.
- Det kreves ikke noe passord for en Bluetooth-forbindelse.

- ▶ Gå frem som vist (fig. 22, side 15).

7.16 Innstilling av WiFi-signalet og tilkobling til appen

Kjøleboksen kan overvåkes og styres via WiFi direkte til kjøleboksen eller via et WiFi-nettverk.

- ▶ Gå frem som vist (fig. 23, side 16) for å slå på WiFi.
- ▶ For WiFi direkte til kjøleboksen går du til enhetsinnstillingene og velger din kjøleboks.
 - WiFi-navnet til din kjøleboks begynner med «CFX3».
 - Det forhåndsdefinerte passordet lyder «00000000».
 - Du kan lage et personlig WiFi-navn og passord i CFX3-appen.

**MERK**

For en forbindelse via WiFi-nettverk, gå til «nettverksforbindelse» i appens SETTINGS (INNSTILLINGER).

7.17 Endre CFX-navn og passord i appen

- Du kan gi din CFX et personlig navn i appen.
 - Det samme navnet gjelder for både Bluetooth og WiFi.
 - Du kan også lage et personlig passord i appen - gyldig kun for WiFi.
- Fortsett til «CFX-navn og passord» i appens SETTINGS.

7.18 Tilbakestille appens passord (kun WiFi)

Du kan tilbakestille appens passord til fabrikkinnstillingen «00000000».

- Gå frem som vist (fig. 23, side 16).

7.19 Tilbakestille til fabrikkinnstillingene

Tilbakestillingsfunksjonen endrer alle displaymenyer og appfelt til de originale fabrikkinnstillingene.

- Gå frem som vist (fig. 24, side 16).

7.20 USB-tilkobling for spenningsforsyning

Du kan bruke USB-kontakten for å lade småapparater (f.eks. mobiltelefoner og MP3-spiller).

**MERK**

Kontroller at det lille apparatet koblet til USB-tilkoblingen er egnet til drift ved 5 V/2 A.

- Gå frem som vist (fig. 26, side 17).

7.21 Avrime kjøleboksen

Luftfuktighet kan fryse til rim inne i kjøleapparatet eller på fordampere. Dette reduserer kjøleeffekten. Avrim apparatet til riktig tid.

**PASS PÅ! Fare for skader**

Bruk aldri harde eller spisse redskaper for å fjerne is eller for å løsne fast-frosne gjenstander.

Gå fram på følgende måte for å avrime kjøleboksen:

- ▶ Ta ut innholdet fra kjøleboksen.
- ▶ Hvis nødvendig, plasser dem i et annet kjøleapparat, slik at de holder seg kjølige.
- ▶ Slå av apparatet.
- ▶ La lokket stå åpent.
- ▶ Tørk av det opptinte vannet.

7.22 Skifte vekselstrømsikring

**FARE! Fare for elektrisk støt**

Koble fra strømforsyningen og tilkoblingskabelen før du skifter ut sikringen i apparatet.

- ▶ Koble fra strømforsyningen til apparatet.
- ▶ Trekk ut tilkoblingskabelen.
- ▶ Vipp ut sikringsinnsatsen (fig. **4** 4, side 4) med en skrutrekker.
- ▶ Skift ut den defekte glassikringen med en ny sikring av samme type og med samme verdi (hurtig, 4 A, 250 V).
- ▶ Trykk sikringsinnsatsen inn i kapslingen igjen.
- ▶ Koble strømforsyningen til apparatet igjen.

7.23 Skifte likestrømsikring

- ▶ Vipp ut sikringsdekselet (fig. **4** 3, side 4) med en skrutrekker.
- ▶ Snu sikringsdekselet og bruk en krok for å fjerne den defekte bladsikringen.
- ▶ Skyv inn en ny sikring av samme type og med samme verdi.
- ▶ Sett på sikringsdekselet igjen.

7.24 Skifte ut likestrømpluggsikring

- ▶ Skift ut den defekte sikringen med en ny sikring av samme type og med samme verdi.
- ▶ Gå frem som vist (fig. **27**, side 17).

7.25 Skifte lyskort



PASS PÅ! Fare for skader

Lyspæren kan bare skiftes ut av produsenten, en servicepartner eller andre kvalifiserte personer for å unngå fare.

8 Rengjøring og vedlikehold



PASS PÅ! Fare for skader

- Apparatet må aldri rengjøres under rennende vann eller i oppvaskvann.
- Ikke bruk sterke vaskemidler eller harde gjenstander til rengjøring, da det kan skade kjøleskapet.

- ▶ Rengjør kjøleapparatet innvendig og utvendig fra tid til annen med en fuktig klut.
- ▶ Påse at ventilasjonsåpningene på apparatet er fri for støv og forurensinger, slik at varmen som oppstår under drift kan ledes bort og apparatet ikke tar skade.

9 Feilretting

Problem	Mulig årsak	Løsningsforslag
Enheten fungerer ikke (likestrømmodus, tenning på).	Det ble ikke registrert spenning i likestrømuttaket.	I de fleste kjøretøy må tenningen slås på før strøm kan tilføres til likestrømuttaket.
	Likestrømuttaket er tilsmusset. Dette fører til dårlig elektrisk kontakt.	Hvis pluggen til enheten blir svært varm i likestrømuttaket, må enten likestrømuttaket rengjøres, eller pluggen er ikke montert på riktig måte.
	Sikringen i likestrømpluggen har gått.	Skift ut sikringen i likestrømpluggen, se kapittel «Skifte likestrømsikring» på side 283.
	Apparatets likestrømsikring har gått.	Skift enhetens likestrømsikring, se kapittel «Skifte likestrømsikring» på side 283.
	Kjøretøysikringen har gått.	Skift ut sikringen for likestrømuttaket i bilen. Se håndboken for kjøretøyet.
Enheten fungerer ikke (vekselstrømmodus).	Det er ingen spenning i vekselspenningsuttaket.	Prøv å koble til en annen stikkontakt.
	Apparatets vekselstrømsikring har gått.	Skift enhetens vekselstrømsikring, se kapittel «Skifte vekselstrømsikring» på side 283.
	Den integrerte vekselstrømadapteren er defekt.	Dette kan bare repareres av et autorisert verksted.
Displayet responderer ikke på tastetrykk.	Displayet er låst.	Lås opp displayet, se kapittel «Låsing/opplåsing av displayet» på side 278.
Appen kan ikke styre enheten.	Bluetooth eller WiFi er ikke forbundet.	Forbind Bluetooth, se kapittel «Innstilling av Bluetooth-signalet og tilkobling til appen» på side 281, eller forbind WiFi, se kapittel «Innstilling av WiFi-signalet og tilkobling til appen» på side 281.
Displayet viser en varselmelding eller varselkode.	–	Se tabellen nedenfor.

Varselmeldinger

Se f.eks. fig. 25 A, side 16.

Varselmelding	Beskrivelse	Mulig årsak	Løsningsforslag
!ALERT - Lokk åpent > 3 min	Lokk åpent i mer enn 3 minutter	<ul style="list-style-type: none"> Lokk ikke fullstendig låst Intern feil 	<ul style="list-style-type: none"> Sjekk at lokket låser fullstendig Autorisert reparasjons-senterinspeksjon påkrevd
!ALERT - Spenning lav	Enheten har stoppet å gå på likestrøm som følge av lav spenning	<ul style="list-style-type: none"> Utilstrekkelig forsyningsspenning For lav batterispenning Batteribeskyttelsen er stilt inn for høyt 	<ul style="list-style-type: none"> Sjekk spenningsfall fra batteri til strømuttak, og øk ledningstykkelsen om nødvendig Test batteriet og lad det eventuelt opp Velg en lavere batteribeskyttelsesinnstilling
	Enheten har stoppet å gå på likestrøm som følge av unormalt høy spenning > 31,5 V (usannsynlig hendelse – kun for elektronikkvern – bruker samme varselmelding som lav spenning ovenfor)	<ul style="list-style-type: none"> Feil spesifikasjon for likestrømforsyningsspenning Feil forsyningsspenning Intern feil 	<ul style="list-style-type: none"> Sikre at spesifikasjonen for likestrømforsyningsspenningen er i samsvar med CFX3-produkttypeskilt Kontroller likestrømspenningsforsyning, og reparer eller skift ut hvis defekt Autorisert reparasjons-senterinspeksjon påkrevd

Varselkoder

Se f.eks. fig. 25 B, side 16.

Varselkode	Problem	Mulig årsak	Løsningsforslag
!WARNING 32	Vifte overstrøm	Intern feil.	Skru av enheten i minst 5 minutter, start deretter på ny. Hvis problemet vedvarer er en inspeksjon ved autorisert reparasjonssenter nødvendig
!WARNING 33	Kompressorstart sviktet		

Varselkode	Problem	Mulig årsak	Løsningsforslag
!WARNING 34	Kompressorhastighet lav	<ul style="list-style-type: none"> Høy omgivelsestemperatur 	<ul style="list-style-type: none"> Skru av enheten i minst 30 minutter eller flytt til et kjøligere sted og start så på nytt Rens åpningene Autorisert reparasjonssenterinspeksjon påkrevd
!WARNING 35	Kontroller overtemperatur	<ul style="list-style-type: none"> Lufteåpning blokkert eller utilstrekkelig klaring Intern feil 	
!WARNING 01	NTC åpen krets SZ & DZ LARGE	Intern feil	Autorisert reparasjonssenterinspeksjon påkrevd
!WARNING 11	NTC åpen krets DZ SMALL		
!WARNING 02	NTC kortslutning SZ & DZ LARGE		
!WARNING 12	NTC kortslutning DZ SMALL		
!WARNING 09	Feil på DZ-ventil eller isbitlager-ventil		Skru av enheten i minst 1 minutt, start deretter på ny. Hvis problemet vedvarer er en inspeksjon ved autorisert reparasjonssenter nødvendig
!WARNING 03/43	Kommunikasjonsfeil		

10 Garanti

Lovmessig garantitid gjelder. Hvis produktet er defekt: Ta kontakt med din forhandler eller produsentens filial i ditt land (se dometic.com/dealer).

Ved henvendelser vedrørende reparasjon eller garanti, må du sende med følgende dokumentasjon:

- Kopi av kvitteringen med kjøpsdato
- Årsak til reklamasjonen eller beskrivelse av feilen

11 Avfallsbehandling



ADVARSEL! Fare for at barn blir innestengt

Før din gamle kjøleenhet skal kastes:

- Demonter lokket.
- La kurvene bli værende på plass, slik at det ikke er enkelt for barn å kripe inn.

Resirkulering av emballasje



- Lever emballasje til resirkulering så langt det er mulig.

Resirkulering av produkter med ikke-erstattbare batterier, oppladbare batterier eller lyskilder



- Hvis produkter inneholder ikke-erstattbare batterier, oppladbare batterier eller lyskilder, trenger du ikke fjerne dem før avhending.



- Hvis du ønsker å avfallsbehandle produktet, må du rådføre deg med nærmeste gjenvinningsstasjon eller din faghandler om hvordan du kan gjøre dette i overensstemmelse med gjeldende deponeringsforskrifter.



- Produktet kan avhendes gratis.

12 Tekniske spesifikasjoner



MERK

Den laveste temperaturen vist i «Kjøleeffekt», kan ikke oppnås dersom omgivelsestemperaturen er over 32 °C (90 °F) for modellene CFX 325/35/45/55/55IM/100, eller omgivelsestemperaturen er over 30 °C (86 °F) for modellene CFX 375DZ/95DZ (sett liten -22 °C / stort +4 °C).

Test/sertifikater:



	CFX3 25	CFX3 35
Tilkoblingsspenning:	12/24 V=== 100–240 V~	
Merkestrøm:	12 V===: 6,5 A 24 V===: 3,2 A 100 V~: 0,90 A 240 V~: 0,38 A	12 V===: 7,5 A 24 V===: 3,3 A 100 V~: 0,94 A 240 V~: 0,39 A
Kjøleeffekt:	+20 °C til -22 °C (+68 °F til -8 °F)	
Klimaklasse:	N, T	
Omgivelsestemperatur:	+16 °C til +43 °C (+61 °F til +110 °F)	
USB-ladeport:	5 V===, 2 A	
Frekvensområde:	WiFi: 2412 MHz – 2472 MHz / 2422 MHz – 2462 MHz Bluetooth/BLE: 2402 MHz – 2480 MHz	
Frekvensbånd (WiFi):	2,4 GHz	
RF utgangseffekt:	WiFi: 16,62 dBm (802.11b), 16,23 dBm (802.11g), 16,45 dBm (802.11n20), 16,02 dBm (802.11n40) Bluetooth: 8,31 dBm Bluetooth LE: 6,67 dBm	
Kjølemiddelmengde:	32 g	38 g
CO ₂ -ekvivalent:	0,046 t	0,054 t
GWP-verdi:	1430	
Mål (B x D x H) i mm (inkludert håndtak):	342 x 569 x 420	398 x 694 x 407
Vekt:	12,7 kg	16,9 kg

	CFX 3 45	CFX 3 55
Tilkoblingsspenning:	12/24 V \equiv 100–240 V \sim	
Merkestrøm:	12 V \equiv : 8,2 A 24 V \equiv : 3,5 A 100 V \sim : 0,96 A 240 V \sim : 0,40 A	12 V \equiv : 8,7 A 24 V \equiv : 3,7 A 100 V \sim : 0,98 A 240 V \sim : 0,41 A
Kjøleeffekt:	+20 °C til –22 °C (+68 °F til –8 °F)	
Klimaklasse:	N, T	
Omgivelsestemperatur:	+16 °C til +43 °C (+61 °F til +110 °F)	
USB-ladeport:	5 V \equiv , 2 A	
Frekvensområde:	WiFi: 2412 MHz – 2472 MHz / 2422 MHz – 2462 MHz Bluetooth/BLE: 2402 MHz – 2480 MHz	
Frekvensbånd (WiFi):	2,4 GHz	
RF utgangseffekt:	WiFi: 16,62 dBm (802.11b), 16,23 dBm (802.11g), 16,45 dBm (802.11n20), 16,02 dBm (802.11n40) Bluetooth: 8,31 dBm Bluetooth LE: 6,67 dBm	
Kjølemiddelmengde:	42 g	45 g
CO ₂ -ekvivalent:	0,060 t	0,064 t
GWP-verdi:	1430	
Mål (B x D x H) i mm (inkludert håndtak):	398 x 694 x 476	720 x 455 x 480
Vekt:	18,7 kg	20,4 kg

	CFX3 55IM	CFX3 75DZ	CFX3 95DZ
Tilkoblingsspenning:	12/24 V=== 100–240 V~		
Merkestrøm:	12 V===: 8,9 A 24 V===: 3,8 A 100 V~: 1,00 A 240 V~: 0,42 A	12 V===: 9,6 A 24 V===: 4,2 A 100 V~: 1,12 A 240 V~: 0,47 A	12 V===: 10,4 A 24 V===: 4,6 A 100 V~: 1,22 A 240 V~: 0,51 A
Kjøleeffekt:	+20 °C til -22 °C (+68 °F til -8 °F)		
Klimaklasse:	N, T		
Omgivelsestemperatur:	+16 °C til +43 °C (+61 °F til +110 °F)		
USB-ladeport:	5 V===, 2 A		
Frekvensområde:	WiFi: 2412 MHz – 2472 MHz / 2422 MHz – 2462 MHz Bluetooth/BLE: 2402 MHz – 2480 MHz		
Frekvensbånd (WiFi):	2,4 GHz		
RF utgangseffekt:	WiFi: 16,62 dBm (802.11b), 16,23 dBm (802.11g), 16,45 dBm (802.11n20), 16,02 dBm (802.11n40) Bluetooth: 8,31 dBm Bluetooth LE: 6,67 dBm		
Kjølemiddelmengde:	45 g	59 g	67 g
CO ₂ -ekvivalent:	0,064 t	0,084 t	0,096 t
GWP-verdi:	1430		
Mål (B x D x H) i mm (inkludert håndtak):	720 x 455 x 480	892 x 495 x 472	962 x 530 x 472
Vekt:	21,3 kg	27,8 kg	29,8 kg

	CFX3 100
Tilkoblingsspenning:	12/24 V=== 100-240 V~
Merkestrøm:	12 V===: 10,8 A 24 V===: 4,8 A 100 V~: 1,28 A 240 V: 0,53 A
Kjøleeffekt:	+20 °C til -22 °C (+68 °F til -8 °F)
Klimaklasse:	N, T
Omgivelsestemperatur:	+16 °C til +43 °C (+61 °F til +110 °F)
USB:	5 V===, 2 A
Frekvensområde:	WiFi: 2412 MHz – 2472 MHz / 2422 MHz – 2462 MHz Bluetooth/BLE: 2402 MHz – 2480 MHz
Frekvensbånd (WiFi):	2,4 GHz
RF utgangseffekt:	WiFi: 16,62 dBm (802.11b), 16,23 dBm (802.11g), 16,45 dBm (802.11n20), 16,02 dBm (802.11n40) Bluetooth: 8,31 dBm Bluetooth LE: 6,67 dBm
Kjølemiddelmengde:	60 g
CO ₂ -ekvivalent:	0,086 t
GWP-verdi:	1430
Mål (B x D x H) i mm (inkludert håndtak):	962 x 530 x 472
Vekt:	29,6 kg

Kjølekretsen inneholder R134a.

Dette produktet inneholder fluoriserte drivhusgasser.

Kjøleenheten er hermetisk lukket.

Radioutstyret Dometic CFX3 25 til CFX3 100 samsvarer med kravene i direktivet 2014/53/EU. Du finner samsvarserklæringen for enheten under documents.dometic.com.

Lue nämä ohjeet huolellisesti ja noudata kaikkia tämän tuotteen käyttöohjeissa annettuja ohjeita, määräyksiä ja varoituksia. Näin varmistat, että tuotteen asennus, käyttö ja huolto sujuu aina oikein. Näiden ohjeiden TÄYTYY jäädä tuotteen yhteyteen.

Käyttämällä tuotetta vahvistat lukeneesi kaikki ohjeet, määräykset ja varoitukset huolellisesti ja että ymmärrät ja hyväksyt tässä annetut ehdot. Sitoudut käyttämään tuotetta ainoastaan sen käyttötarkoitukseen ja ilmoitetuissa käyttökohteissa ja noudattaen tässä tuotteen käyttöohjeessa annettuja ohjeita, määräyksiä ja varoituksia sekä voimassa olevia lakeja ja määräyksiä. Tässä annettujen ohjeiden ja varoitusten lukematta ja noudattamatta jättäminen voi johtaa omaan tai muiden loukkaantumiseen, tuotteen vaurioitumiseen tai muun ympärillä olevan omaisuuden vaurioitumiseen. Tähän tuotteen käyttöohjeeseen, ohjeisiin, määräyksiin ja varoituksiin sekä ohjesidoksentteihin voidaan tehdä muutoksia ja niitä voidaan päivittää. Katso ajantasaiset tuotetiedot osoitteesta documents.dometic.com, dometic.com.

Sisältö

1	Symbolien selitykset	294
2	Turvallisuusohjeet	295
3	Toimituskokonaisuus	297
4	Lisävarusteet	298
5	Käyttötarkoitus	298
6	Toiminnan kuvaus	299
6.1	Toiminnot	299
6.2	Käyttö- ja näyttölaitteet	300
7	Käyttö	301
7.1	Ennen ensikäyttöä	301
7.2	Energian säästäminen	301
7.3	Kannen avautumissuunnan muuttaminen	302
7.4	Kylmälaatikon liittäminen	302
7.5	Kylmälaatikon käyttö	303
7.6	Näytön käyttäminen	303
7.7	Näytön lukitseminen / avaaminen	304
7.8	Lämpötilayksikön valinta	304
7.9	Lämpötilan säätö	304
7.10	Akkusuojan käyttäminen	304
7.11	Näytön kirkkauden säätäminen	305
7.12	Osastojen päälle tai pois kytkeminen (vain CFX3 75DZ, CFX3 95DZ)	305
7.13	Jääkoneen käyttäminen (vain CFX3 55IM)	305
7.14	CFX3 -sovelluksen lataaminen	306
7.15	Bluetooth-signaalin asettaminen ja yhdistäminen sovellukseen	307
7.16	WiFi-signaalin asettaminen ja yhdistäminen sovellukseen	307
7.17	CFX-nimen ja salasanan muuttaminen sovelluksessa	307
7.18	Sovelluksen salasanan nollaus (vain WiFi)	308

7.19	Oletusasetusten palauttaminen	308
7.20	USB-liitin jännitteensyöttöä varten	308
7.21	Kylmälaatikon sulattaminen	308
7.22	Vaihtovirtasulakkeen vaihtaminen	309
7.23	Tasavirtasulakkeen vaihtaminen	309
7.24	Tasavirtapistokkeen sulakkeen vaihtaminen	309
7.25	Piirilevyn vaihtaminen	309
8	Puhdistus ja hoito	310
9	Vianetsintä	310
10	Takuu	313
11	Hävittäminen	314
12	Tekniset tiedot	314

1 Symbolien selitykset



VAARA!

Turvallisuusohjeet: Viittaa vaaralliseen tilanteeseen, joka johtaa kuolemaan tai vakavaan loukkaantumiseen, jos sitä ei vältetä.



VAROITUS!

Turvallisuusohjeet: viittaavat vaaralliseen tilanteeseen, joka voi johtaa kuolemaan tai vakavaan loukkaantumiseen, jos ohjeita ei noudateta.



HUOMIO!

Turvallisuusohjeet: viittaavat vaaralliseen tilanteeseen, joka voi johtaa lievään tai kohtalaiseen loukkaantumiseen, jos ohjeita ei noudateta.



HUOMAUTUS!

viittaavat tilanteeseen, joka voi johtaa esinevahinkoon, jos ohjeita ei noudateta.



OHJE

Tuotteen käyttöä koskevia lisätietoja.

2 Turvallisuusohjeet



VAARA! Näiden varoitusten noudattamatta jättäminen johtaa kuolemaan tai vakavaan vammaan.

Sähköiskun vaara

- Veneissä: Huolehdi verkkokäytössä ehdottomasti siitä, että virransyöttö on suojattu FI-kytkimellä.
- Älä kosketa avojohtimia koskaan paljain käsin. Tämä koskee ennen kaikkea laitteen käyttöä vaihtovirtaverkkoon yhdistettynä.
- Huolehdi ennen laitteen käyttöönottoa siitä, että johto ja pistoke ovat kuivia.



VAROITUS! Näiden varoitusten noudattamatta jättäminen voi johtaa kuolemaan tai vakavaan vammaan.

Sähköiskun vaara

- Kylmälaitetta ei saa ottaa käyttöön, jos siinä on näkyviä vaurioita.
- Jos tämän jäähdytyslaitteen virtajohto on vioittunut, se täytyy vaihtaa vaarojen välttämiseksi.
- Ainoastaan pätevät ammattilaiset saavat korjata tätä kylmälaitetta. Väärin tehdyistä korjauksista voi aiheutua vakavia vaaroja.
- Liitä laite pistorasiaan, jolla liitäntä on varmasti tukeva, etenkin jos laite täytyy maadoittaa.

Palovaara

- Varmista, että virtajohto ei juutu kiinni eikä vaurioidu sijoittaessasi laitetta paikalleen.
- Älä sijoita siirrettäviä pistorasialistoja tai siirrettäviä virtalähteitä laitteen taakse.
- Pidä laitekotelon tai asennusrakenteiden ilmanvaihtoaukot vapaina esteistä.
- Älä käytä mitään mekaanisia esineitä tai muita keinoja sulatusprosessin nopeuttamiseen paitsi, jos valmistaja suosittelee niiden käyttämistä.
- Älä vahingoita kylmäainekiertoa.

Terveysvaara

- Tätä laitetta voivat käyttää valvonnan alaisuudessa myös vähintään 8-vuotiaat lapset samoin kuin henkilöt, joiden fyysiset, aistinvaraiset tai henkiset kyvyt ovat rajoittuneet tai joilta puuttuu laitteen käytön vaatima kokemus tai tietämys, mikäli edellä mainittuja henkilöitä on opastettu käyttämään laitetta turvallisesti ja mikäli henkilöt ymmärtävät laitteen käyttöön liittyvät riskit.

- Lapset eivät saa leikkiä laitteella.
- Lapset eivät saa ilman valvontaa puhdistaa laitetta eivätkä ryhtyä käyttäjälle sallittuihin kunnossapitotöihin.
- 3 – 8-vuotiaat lapset saavat sekä sijoittaa tuotteita kylmälaitteisiin että noutaa tuotteita sieltä.

Räjähdysvaara

- Älä säilytä kylmälaitteessa mitään räjähdysalttiita aineita kuten suihkepurkkeja, joissa on syttyvää polttoainetta.



HUOMIO! Näiden varoitusten noudattamatta jättäminen voi johtaa vähäiseen tai kohtalaiseen vammaan.

Sähköiskun vaara

- Irrota kylmälaite virtalähteestä
 - ennen puhdistusta tai huoltoa
 - aina käytön jälkeen

Terveysvaara

Noudata seuraavia ohjeita elintarvikkeiden pilaantumisen estämiseksi:

- Tarkista, vastaako laitteen jäähdytysteho niiden elintarvikkeiden tai lääkkeiden vaatimuksia, joita haluat säilyttää viileässä.
- Elintarvikkeita saa säilyttää vain alkuperäispakkauksissa tai tarkoitukseen sopivissa astioissa.
- Kylmälaitteen avaaminen pitkiksi ajoiksi voi merkittävästi nostaa lämpötilaa laitteen lokeroissa.
- Puhdista säännöllisesti pinnat, jotka voivat joutua kosketuksiin elintarvikkeiden ja suojaamattomien viemärijärjestelmän osien kanssa.
- Jos laite jätetään tyhjäksi pitkäksi ajaksi:
 - Kytke laite pois päältä.
 - Sulata laite.
 - Puhdista ja kuivaa laite.
 - Jätä kansi auki, jotta laitteen sisälle ei pääse muodostumaan hometta.



HUOMAUTUS! Vahingonvaara

- Varmista, että tyyppietiketin jännitetiedot vastaavat käytettävissä olevaa energiansyöttöä.
- Liitä kylmälaite vain seuraavalla tavalla:
 - Tasavirtaliitäntäjohdolla ajoneuvon tasavirtaverkkoon
 - Tai vaihtovirtaliitäntäjohdolla vaihtovirtaverkkoon
- Älä koskaan irrota pistoketta pistorasiasta johdosta vetämällä.

- Jos kylmälaite on liitetty tasavirtapistorasiaan, irrota kylmälaite ja muut sähkölaitteet akusta, ennen kuin liität pikalaturin.
- Jos kylmälaite on liitetty tasavirtapistorasiaan, irrota kylmälaite tai kytke se pois päältä, kun sammutat moottorin. Muuten ajoneuvon akku voi purkautua.
- Kylmälaite ei sovellu syövyttävien aineiden tai liuottimia sisältävien aineiden kuljettamiseen.
- Kylmälaitteen eristeet sisältävät syttyvää syklopentaania, joten ne vaativat erityisen hävittämismenetelmän. Kun kylmälaite on tullut käyttöikänsä päähän, toimita se asianmukaiseen kierrätyspisteeseen.
- Älä käytä kylmälaitteen sisällä sähkölaitteita, ellei valmistaja suosittele näitä laitteita tähän tarkoitukseen.
- Älä altista kylmälaitetta avotulelle tai muille lämpölähteille (lämmitys, suora auringonpaiste, kaasuuunit jne.).
- **Ylikuumenemisvaara!**
Varmista aina, että kylmälaitteen kaikilla neljällä sivulla on vähintään 50 mm tilaa tuuletukselle. Pidä tuuletustila vapaana kaikista esineistä, jotka voisivat haitata ilman virtausta jäähdytysosiin. Älä sijoita kylmälaitetta suljettuihin tiloihin tai alueille, joissa ilma ei virtaa tai virtaa vain hyvin vähän.
- Huolehdi siitä, ettei tuuletusaukkoja peitetä.
- Älä laita sisäastiaan jäätä tai nesteitä.
- Älä koskaan upota kylmälaitetta veteen.
- Suojaa kylmälaite ja johdot kuumuudelta ja kosteudelta.
- Laitetta ei saa asettaa alttiiksi sateelle.

3 Toimituskokonaisuus

Kohta, kuva  , sivulla 3	Määrä	Kuvaus
1	1	Kylmälaatikko
2	1	Tasavirtaliitännän liitäntäjohto
3	1	Vaihtovirtaliitännän liitäntäjohto

4 Lisävarusteet

Saatavissa lisävarusteena (ei sisälly toimituskokonaisuuteen):

Kuvaus	Tuotenro	Malli
Suojus		
CFX3 25PC	9600028749	CFX3 25
CFX3 35PC	9600028455	CFX3 35
CFX3 45PC	9600028456	CFX3 45
CFX3 55PC	9600028457	CFX3 55
		CFX3 55IM
CFX3 75PC	9600028458	CFX3 75DZ
CFX3 95PC	9600028459	CFX3 95DZ
CFX3 100PC	9600028460	CFX3 100
Jääkaappikelkka		
CFX3 SLD3545	9600028548	CFX3 35
		CFX3 45
CFX3 SLD55	9600028549	CFX3 55
		CFX3 55IM
CFX3 SLD75	9600028550	CFX3 75DZ
CFX3 SLD95100	9600028551	CFX3 95DZ
		CFX3 100
CFX3 -sovellus	–	sopii kaikkiin malleihin
PLB40	9600012878	sopii kaikkiin malleihin

Huomaa, että CFX 3 -sovellus ei ehkä ole saatavissa maassasi.

5 Käyttötarkoitus

Kylmälaukku sopii elintarvikkeiden jäähdyttämiseen. Kylmälaukku sopii myös ajoneuvokäyttöön. Kylmälaukku on suunniteltu käytettäväksi ajoneuvon tasavirtapistosiällä tai vaihtovirralla.

Kylmälaukku soveltuu myös leirintäkäyttöön.

Kylmälaukku on tarkoitettu kotitalouskäyttöön ja sen kaltaisiin käyttökohteisiin kuten

- käyttöön henkilökunnan keittiötiloissa kaupoissa, toimistoissa ja muissa työympäristöissä
- käyttöön maataloilla
- asiaskäyttöön hotelleissa, motelleissa ja muissa majoitusympäristöissä
- aamiaismajoitustyyppisissä ympäristöissä
- pitopalvelu- ja muissa ei-jakelukohteissa

Kylmälaukku **ei** sovellu seuraaviin:

- syövyttävien tai liuottimien sisältävien aineiden säilytys

Tämä kylmälaukku sopii ainoastaan näissä ohjeissa ilmoitettuun käyttötarkoitukseen ja käyttökohteeseen.

Näistä ohjeista saat kylmälaukun asianmukaiseen asennukseen ja/tai käyttöön tarvittavat tiedot. Väärin tehdyn asennuksen ja/tai väärän käyttötavan tai vääränlaisen huollon seurauksena laite ei toimi tyydyttävästi, ja se saattaa mennä epäkuuntoon.

Valmistaja ei ota vastuuta tapaturmista tai tuotevaurioista, jotka johtuvat seuraavista:

- Väärin tehty kokoaminen tai sähköliitäntä, ylijännite mukaan lukien
- Väärin tehty huolto tai muiden kuin valmistajalta saatavien alkuperäisten varaosien käyttö
- tuotteeseen ilman valmistajan nimenomaista lupaa tehdyt muutokset
- käyttö muuhun kuin tässä ohjeessa ilmoitettuun tarkoitukseen

Dometic pidättää itsellään oikeuden muutoksiin tuotteen ulkonäössä ja spesifikaatioissa.

6 Toiminnan kuvaus

Jäähdyttämiseen käytetään jäähdytyskiertoa ja kompressoria, joita ei juurikaan tarvitse huoltaa. Runsas eristys ja tehokas kompressori takaavat tehokkaan ja nopean jäähdytyksen.

Kylmälaite sopii liikkuvaan käyttöön.

Kylmälaatikko kestää väliaikaisen, enintään 30^o:een kallistuksen.

6.1 Toiminnot

- Verkkolaite, jossa on ensijaiskytkentä laitteen liittämiseksi vaihtovirtalähteeseen
- Kolmiportainen akkusuoja ajoneuvon akun suojaamiseen

- Lämpötilanäyttö °C ja °F
- Lämpötilan asetus 1 °C:een (1 °F) askelin
- Integroituna WiFi ja Bluetooth, joten voidaan ohjata sovelluksella
- Taitettavat kantokahvat
- USB-laturi mobiililaitteita kuten matkapuhelimia varten
- Irrotettava lankakori
- **Vain CFX 3 55IM:** Jääkone

6.2 Käyttö- ja näyttölaitteet

Kannen salpa: kuva 2 1, sivulla 3

Käyttökenttä (kuva 3 1, sivulla 4):

Kohta	Kuvaus	Selitys
1		Kytkee kylmälaatikon päälle, kun painiketta painetaan lyhyesti Kytkee kylmälaulun pois päältä, kun painiketta painetaan kolme sekuntia Palaa takaisin edelliseen valikkoon
2	Näyttö	Näyttää tiedot AC : Yhdistetty vaihtovirtaverkkoon DCV : Yhdistetty tasavirtaverkkoon  : Bluetooth on päällä  : WiFi on päällä  : Näyttö on lukittu  : Kompressori on käynnissä  : Jääkone on käynnissä (vain CFX 3 55IM)
3		Navigoi ylöspäin tai suurena valittua arvoa painamalla  . Navigoi alaspäin tai pienennä valittua arvoa painamalla  . Paina  ja  samanaikaisesti 3 s ajan näytön lukitsemiseksi tai avaamiseksi.
4		Paina valikon valitsemiseksi tai valitun arvon tallentamiseksi.

Liitäntäpistorasiat (kuva 4, sivulla 4):

Kohta	Kuvaus
1	Vaihtojännitesyötön liitin
2	Tasajännitesyötön liitin
3	Tasavirtasulakkeen pidin
4	Vaihtovirtasulakkeen pidin

7 Käyttö

Huomaa seuraava ruokahävikin välttämiseksi:

- Pidä lämpötilan heilahtelu mahdollisimman pienenä. Avaa kylmälaite vain silloin ja vain niin pitkäksi aikaa kuin on tarpeen. Säilytä elintarvikkeet niin, että ilma pääsee kiertämään hyvin.
- Säädä lämpötila elintarvikkeiden määrää ja tyyppiä vastaavaksi.
- Elintarvikkeeseen voi helposti tarttua hajua tai makua tai siitä voi irrota näitä. Säilytä elintarvikkeet aina peitettyinä tai suljetuissa astioissa/pulloissa.

7.1 Ennen ensikäyttöä

**OHJE**

Ennen kuin uusi kylmälaatikko otetaan käyttöön ensimmäisen kerran, se on hygieniasyistä puhdistettava kostealla liinalla sisältä ja ulkoa (ks. myös kap. "Puhdistus ja hoito" sivulla 310).

7.2 Energian säästäminen

- Valitse paikka, joka on hyvin tuuletettu ja suojassa auringonpaisteelta.
- Anna lämpimien elintarvikkeiden jäähtyä, ennen kuin panet niitä kylmälaitteeseen kylmäsäilytettäväksi.
- Älä avaa kylmälaitetta tarpeettoman usein.
- Älä pidä kylmälaitetta auki tarpeettoman kauan.
- Jos kylmälaitteessa on kori: Sijoita kori energiankulutuksen optimoimiseksi niin, kuin se oli toimituksen yhteydessä.
- Varmista säännöllisesti, että kannen tiiviste istuu kunnolla.

7.3 Kannen avautumissuunnan muuttaminen

CFX3 55, CFX3 55IM, CFX3 100

- Toimi kuvan mukaisesti (kuva **5**, sivulla 5).

CFX3 75DZ, CFX3 95DZ

- Toimi kuvan mukaisesti (kuva **6**, sivulla 6).

7.4 Kylmälaatikon liittäminen



HUOMAUTUS! Vahingonvaara

- Mukana toimitetun tasavirtajohdon pistokkeessa on sulake laitteen suojaamiseksi. **Älä** poista sulakkeellista tasavirtapistoketta. Käytä ainoastaan mukana toimitettua tasavirtajohtoa.
- Irrota kylmälaatikko ja muut sähkölaitteet akusta ennen kuin lataat akkua pikalaturilla. Ylijännite voi vahingoittaa laitteiden elektroniikkaa.

Liittäminen akkuun

- Toimi kuvan mukaisesti (kuva **7**, sivulla 7).

Liittäminen laajennetulla tasavirtajohdotuksella (vain CFX3 100)

- Toimi kuvan mukaisesti (kuva **8**, sivulla 8).

Liittäminen vaihtovirtaverkkoon



VAARA! Sähköiskun vaara

- Älä käsittele pistokkeita ja kytkimiä märin käsin tai kun seisot märässä paikassa.
- Jos kylmälaatikkoa käytetään veneessä vaihtojännitteellä, vaihtojänniteverkon ja kylmälaatikon väliin täytyy kytkeä vikavirtasuojakytkin. Lisätietoja saat alan ammattilaisilta.

- Toimi kuvan mukaisesti (kuva **9**, sivulla 9).

7.5 Kylmälaatikon käyttö



HUOMAUTUS! Ylikuumenemisvaara

Varmista aina riittävä tuuletus, jotta käytön aikana syntyvä lämpö pääsee poistumaan. Huolehdi siitä, ettei tuuletusrakojia peitetä. Huolehdi siitä, että laite on riittävän etäällä seinistä tai esineistä, jotta ilma pääsee kiertämään.



OHJE

Jos kylmälaitetta käytetään akun avulla, näyttö sammuu automaattisesti, jos akkujännite on alhainen.

- Virran kytkeminen kylmälaukkuun: kuva **10**, sivulla 9
- Kylmälaatikon kytkeminen pois päältä: kuva **11**, sivulla 10

7.6 Näytön käyttäminen

Näytön tilat (kuva **12**, sivulla 10)

Kohta	Kuvaus
A	Valmiustila
B	Tyhjäkäynti
C	Lukittu

Näytön yleiskuva: kuva **13**, sivulla 11

Liikkuminen valikoissa

Valittuna on korostettu valikko.

- ▶ Navigoi ylöspäin painamalla .
- ▶ Navigoi alaspäin painamalla .

Valikon valitseminen

- ▶ Valitse haluttu valikko painamalla .

Asetusten muuttaminen

Valittuna on korostettu arvo tai asetus.

- ▶ Suurena valittua arvoa tai valitse edellinen asetus painamalla .

- Pienennä valittua arvoa tai valitse seuraava asetus painamalla ▾.

Edelliseen valikkoon palaaminen

- Palaa tallennusta tekemättä edelliseen valikkoon painamalla ↶.

7.7 Näytön lukitseminen / avaaminen

- Paina △ ja ▽ samanaikaisesti 3 s ajan näytön lukitsemiseksi tai avaamiseksi (kuva 14, sivulla 11).

7.8 Lämpötilayksikön valinta

- Toimi kuvan mukaisesti (kuva 15, sivulla 11).

7.9 Lämpötilan säätö



HUOMAUTUS! Äärimmäisen alhainen lämpötila aiheuttaa vaurioitumisvaaran

Huolehdi siitä, että kylmälaitteessa on vain esineitä tai tuotteita, jotka saa jäädyttää valittuun lämpötilaan.

- Toimi kuvan mukaisesti (kuva 16, sivulla 12).

7.10 Akkusuojan käyttäminen

Laitteessa on 3-portainen akkusuoja. Akkusuoja estää liiallisen purkautumisen, kun laite on yhdistetty ajoneuvon käynnistysakkuun, tai maksimoi syöttöakun käytön.

Jos kylmälaatikkoa käytetään ajoneuvon sytytyksen ollessa pois päältä, kylmälaatikko kytkeytyy itsestään pois päältä heti, kun syöttöjännite laskee asetetun arvon alle. Kylmälaatikko kytkeytyy päälle heti, kun akun lataustila on saavuttanut uudelleenkyttäjännitteen.



HUOMAUTUS! Vahingonvaara

Kun akkusuoja on kytketty virran pois, akku ei enää ole täyteen ladattu. Vältä toistuvia käynnistyksiä. Varmista, että akku ladataan uudelleen.



OHJE

Kun kylmälaatikko saa virtansa käynnistysakusta, valitse akkusuojan tilaksi "MEDIUM" tai "HIGH". Jos kylmälaatikko on liitetty erilliseen syöttöakkuun, akkusuojan tilaksi ihanteellinen on "LOW".

- ▶ Toimi kuvan mukaisesti (kuva **17**, sivulla 13).

7.11 Näytön kirkkauden säätäminen

- ▶ Toimi kuvan mukaisesti (kuva **18**, sivulla 13).

7.12 Osastojen päälle tai pois kytkeminen (vain CFX 3 75DZ, CFX 3 95DZ)

Voit aktivoida kunkin vyöhykkeen erikseen tai molemmat yhtä aikaa.

- ▶ Toimi kuvan mukaisesti (kuva **19**, sivulla 14).

7.13 Jääkoneen käyttäminen (vain CFX 3 55IM)



OHJE

- Jääkoneosa on suunniteltu jääpalojen tekemiseen, kun jääkone on päällä. Tämä ei riipu pääosaston lämpötila-asetuksesta.
- Kylmälaatikon energiankulutus kasvaa, kun jääkone on päällä. Siksi sinun tulisi kytkeä jääkone pois päältä, jos sitä ei käytetä.
- Jääkoneen tehdasasetus on POIS.

- ▶ Toimi kuvan mukaisesti (kuva **20**, sivulla 14).

Jääpalalokeroiden täyttäminen vedellä

- ▶ Ota jääpalalokerot (kuva **21** 1, sivulla 15) pois jääkoneen kotelosta (kuva **21** 2, sivulla 15).
- ▶ Ota jääpalalokeroiden kannet pois, täytä ne puhtaalla vedellä ja laita kansi takaisin paikalleen. Huolehdi siitä, että reunatiiviste menee paikalleen koko matkalta.
- ▶ Laita jääpalalokerot takaisin jääkoneen koteloon ja sulje kansi.



OHJE

Kuivaa roiskunut vesi pois jääpalalokeroiden alta. Tämä vähentää jään muodostumista lokeroiden alle ja tekee niiden pois ottamisen helpommaksi.

Jääpalojen ottaminen

- ▶ Avaa jääkoneen kotelon kansi ja nosta jääpalalokeroiden etuosan alta.

**OHJE**

Poistamiseen voidaan tarvita lisävoimaa ja kahden käden käyttämistä erityin kosteissa oloissa, jolloin jääpalalokerot voivat jäätyä kiinni alapuolelta.

- ▶ Ota jääpalalokeroiden kannet pois ja väännä lokeroita jääpalojen irrottamiseksi.

Jääkoneen kotelon poistaminen

Jääkoneen kotelo voidaan poistaa puhdistusta varten tai kun sitä ei käytetä, jolloin kylmälaatikon hyötytilavuus kasvaa:

- ▶ Nosta koteloa toisesta päästä, kunnes salpa aukeaa. Ota se sitten pois.
- ▶ Toimi takaisinasennuksessa päin vastoin painamalla alaspäin, jolloin salvat napsahtavat paikoilleen.

Vinkkejä jääkoneen käyttöön

- Jääkone tekee jääpaloja nopeasti useita tunteja päälle kytkemisen jälkeen ja siirtyy sitten automaattisesti ylläpitotilaan energiankulutuksen pienentämiseksi. Jos useita eriä jääpaloja tarvitaan mahdollisimman nopeasti, jääpalakone voidaan palauttaa nopean jään valmistuksen tilaan kytkemällä se pois päältä ja takaisin päälle. Toista tarvittaessa.
- Matalaa pakastinlämpötilaa ei ehkä pystytä ylläpitämään pääosastossa korkeissa ympäristölämpötiloissa, jos jääkone on päällä.

Jääkoneen puhdistus ja kuivaus

- ▶ Estä homeen muodostuminen puhdistamalla ja kuivaamalla jääpalalokerot ja jääkoneen kotelon sisäpuoli silloin, kun niitä ei käytetä.
- ▶ Puhdista jääpalalokeroiden sisäpuoli ennen käyttöä miedolla astianpesuaineliuksella ja huuhtele puhtaalla vedellä, jos ne ovat olleet pitkään käyttämättä.

7.14 CFX3 -sovelluksen lataaminen

Kylmälaatikkoa voidaan tarkkailla ja ohjata Bluetooth- tai WiFi-yhteyden kautta sovelluksella, jonka voit asentaa yhteensopivaan laitteeseen.

- ▶ Lataa CFX3 -sovellus App Store -kaupasta tai Google Play -kaupasta:



Huomaa, että CFX 3 -sovellus ei ehkä ole saatavissa maassasi.

7.15 Bluetooth-signaalin asettaminen ja yhdistäminen sovellukseen

Kylmälaatikkoa voidaan tarkkailla ja ohjata Bluetooth-yhteyden kautta. Tämän mahdollistamiseksi liitä kylmälaatikko pariin Bluetooth-laitteesi kanssa.



OHJE

- Pariksi liittäminen täytyy tehdä CFX 3 -sovelluksessa, ei laiteasetuksissa.
- Bluetooth-yhteys ei vaadi salasanaa.

► Toimi kuvan mukaisesti (kuva **22**, sivulla 15).

7.16 WiFi-signaalin asettaminen ja yhdistäminen sovellukseen

Kylmälaatikkoa voidaan tarkkailla ja ohjata WiFi-yhteydellä, joka muodostetaan suoraan kylmälaatikkoon tai WiFi-verkon kautta.

- Menettele esitetyllä tavalla (kuva **23**, sivulla 16) kytkeäksesi WiFi:n päälle.
- Jos WiFi on suoraan yhteydessä kylmälaatikkoon, mene laiteasetuksiin ja valitse kylmälaatikkosi.
 - Kylmälaatikkosi WiFi-nimi alkaa merkeillä "CFX 3".
 - Esiasetettu salasana on "**00000000**".
 - Voit muuttaa WiFi-nimeä ja salasanaa CFX 3 -sovelluksessa.



OHJE

Jos yhteys muodostetaan WiFi-verkon kautta, mene kohtaan "verkkoyhteys" (network connection) sovelluksen ASETUKSISSA (settings).

7.17 CFX-nimen ja salasanan muuttaminen sovelluksessa

- Voit muuttaa CFX-laitteesi nimeä sovelluksessa.
- Sama nimi on käytössä sekä Bluetoothissa että WiFissä.
- Voit myös muokata salasanaasi sovelluksessa - koskee vain WiFiä.
- Mene kohtaan "CFX-nimi ja salasana" (CFX name and password) sovelluksen ASETUKSISSA (settings).

7.18 Sovelluksen salasanan nollaus (vain WiFi)

Voit nollata sovelluksen salasanan oletusasetukseen "00000000".

- Toimi kuvan mukaisesti (kuva 23, sivulla 16).

7.19 Oletusasetusten palauttaminen

Nollaustoiminto muuttaa kaikki näyttövalikot ja sovelluskentät vastaamaan alkuperäisiä tehdasasetuksia.

- Toimi kuvan mukaisesti (kuva 24, sivulla 16).

7.20 USB-liitin jännitteensyöttöä varten

USB-liitäntää voidaan käyttää pienten laitteiden kuten matkapuhelinten ja MP3-soittimien lataamiseen.



OHJE

Varmista, että USB-liitäntään liitetty laite soveltuu käyttöön 5 V:n jännitteellä / 2 A:n virralla.

- Toimi kuvan mukaisesti (kuva 26, sivulla 17).

7.21 Kylmälaatikon sulattaminen

Kosteus voi muodostaa kylmälaitteen sisälle tai haihduttimeen huurretta. Tämä pienentää jäähdytystehoa. Sulata laite ajoissa.



HUOMAUTUS! Vahingonvaara

Älä koskaan poista jäätä tai irrota kiinni jäätyneitä esineitä tai tuotteita kovilla tai terävillä työkaluilla.

Sulata kylmälaatikko seuraavalla tavalla:

- Tyhjennä kylmälaatikko.
- Pane kylmälaatikon sisältämät tuotteet tarvittaessa toiseen kylmälaitteeseen, jotta ne pysyvät kylminä.
- Kytke laite pois päältä.
- Jätä kansi auki.
- Pyyhi sulamisvesi pois.

7.22 Vaihtovirtasulakkeen vaihtaminen



VAARA! Sähköiskun vaara

Irrota liitäntäjohto virtalähteestä ennen laitteen sulakkeen vaihtamista.

- ▶ Katkaise laitteen virransaanti.
- ▶ Vedä liitäntäjohto irti.
- ▶ Työnnä sulakepesä (kuva **4** 4, sivulla 4) ruuvimeisselillä ulos.
- ▶ Vaihda viallisen sulakkeen tilalle uusi lasiputkisulake, jonka tyyppi ja arvo on sama (nopea 4 A, 250 V).
- ▶ Paina sulakepesä takaisin runkoon.
- ▶ Kytke laitteen virransaanti takaisin.

7.23 Tasavirtasulakkeen vaihtaminen

- ▶ Avaa sulakepesän kansi (kuva **4** 3, sivulla 4) ruuvimeisselillä.
- ▶ Käännä sulakekansi ja käytä koukkua viallisen autosulakkeen poistamiseen.
- ▶ Paina uusi samantyyppinen ja -arvoinen sulake paikalleen.
- ▶ Aseta sulakekansi takaisin paikalleen.

7.24 Tasavirtapistokkeen sulakkeen vaihtaminen

- ▶ Vaihda viallinen sulake uuteen samantyyppiseen ja -arvoiseen.
- ▶ Toimi kuvan mukaisesti (kuva **27**, sivulla 17).

7.25 Piirilevyn vaihtaminen



HUOMAUTUS! Vahingonvaara

Vaaran välttämiseksi lampun voi vaihtaa vain valmistaja, asiakaspalvelu tai henkilö, jolla on vastaava pätevyys.

8 Puhdistus ja hoito



HUOMAUTUS! Vaurion vaara

- Älä koskaan puhdistaa kylmälaitetta juoksevan veden alla tai tiskivedessä.
- Älä käytä puhdistamiseen hankaavia puhdistusaineita tai kovia esineitä, koska ne voivat vahingoittaa kylmälaitetta.

- Puhdistaa kylmälaite toisinaan sisältä ja ulkoa kostealla liinalla.
- Varmista, että laitteen ilmanotto- ja poistoaukot ovat puhtaita pölystä ja liasta, jotta toiminnassa syntyvä lämpö voidaan johtaa pois ja laite ei pääse vaurioitumaan.

9 Vianetsintä

Häiriö	Mahdollinen syy	Ratkaisuehdotus
Laite ei toimi (tasavirta-tila, ajoneuvon virta päällä).	Tasavirtapistorasiassa ei havaittu jännitettä.	Useimmissa ajoneuvoissa sytytyksen täytyy olla päällä, jotta tasavirtapistorasia saa virtaa.
	Tasavirtapistorasia on likainen. Tämän vuoksi sähkökontakti on heikko.	Jos laitteen pistoke kuumenee voimakkaasti tasavirtapistorasiassa, tasavirtapistorasia on puhdistettava tai pistokkeen osat on koottu virheellisesti.
	Tasavirtapistokkeen sulake on palanut.	Vaihda tasavirtapistokkeen sulake, ks. kap. "Tasavirtasulakkeen vaihtaminen" sivulla 309.
	Laitteen tasavirtasulake on palanut.	Vaihda laitteen tasavirtasulake, ks. kap. "Tasavirtasulakkeen vaihtaminen" sivulla 309.
	Ajoneuvosulake on palanut.	Vaihda ajoneuvon tasavirtapistorasian sulake. Lisätietoja ajoneuvosi käyttöohjeessa.

Häiriö	Mahdollinen syy	Ratkaisuehdotus
Laite ei toimi (vaihtovirtatila).	Vaihtovirtapistorasiassa ei ole jännitettä.	Kokeile toista pistorasiaa.
	Laitteen vaihtovirtasulake on palanut.	Vaihda laitteen vaihtovirtasulake, ks. kap. "Vaihtovirtasulakkeen vaihtaminen" sivulla 309.
	Sisäänrakennettu vaihtovirtasovitin on rikki.	Tämän vian saa korjata vain valtuutettu korjausliike.
Näyttö ei reagoi näppäinpainalluksiin.	Näyttö on lukossa.	Avaa näytön lukko, ks. kap. "Näytön lukitseminen / avaaminen" sivulla 304.
Sovellus ei pysty ohjaamaan laitetta.	Bluetooth- tai WiFi-yhteyttä ei ole.	Yhdistä Bluetooth, ks. kap. "Bluetooth-signaalin asettaminen ja yhdistäminen sovellukseen" sivulla 307, tai yhdistä WiFi, ks. kap. "WiFi-signaalin asettaminen ja yhdistäminen sovellukseen" sivulla 307
Näytössä näkyy hälytysilmoitus tai varoituskoodi.	–	Katso alla olevaa taulukkoa.

Hälytysilmoitukset

Esim. ks. kuva **25** A, sivulla 16.

Hälytysilmoitus	Kuvaus	Mahdollinen syy	Ratkaisuehdotus
!HÄLYTYS - Kansiauki > 3 min	Kansiauki yli 3 minuuttia	<ul style="list-style-type: none"> Kantta ei ole salvattu kunnolla Sisäinen häiriö 	<ul style="list-style-type: none"> Tarkista, että kansiauki on salvattu kokonaan Vaatii valtuutetun korjaamon tarkastusta

Hälytysilmoitus	Kuvaus	Mahdollinen syy	Ratkaisuehdotus
!HÄLYTYS - Jännite matala	Laite on lopettanut toiminnan tasavirralla, koska jännite on matala	<ul style="list-style-type: none"> Riittämätön syöttöjännite Akkujännite liian matala Akkusuojan tila on säädetty liian korkeaksi 	<ul style="list-style-type: none"> Tarkasta jännitehävikki välillä akku-pistorasia ja suurena johtojen paksumutta tarvittaessa Tarkasta akku ja lataa tarvittaessa Valitse alhaisempi akkusuojan asetus
	Laite on lakannut toimimasta tasavirralla, koska jännite on epänormaalin korkea > 31,5 V (epätodennäköinen tapaus – vain elektroniikan suojaamiseksi – käyttää samaa hälytysilmoitusta kuin alhainen jännite yllä)	<ul style="list-style-type: none"> Väärä tasajännitetsyötön spesifikaatio Virheellinen syöttöjännite Sisäinen häiriö 	<ul style="list-style-type: none"> Varmista, että tasajännitetsyötön spesifikaatio vastaa CFX3-tuotteen merkin tietoja Tarkasta tasajännitetsyöttö & korjaa tai vaihda uuteen, jos viallinen Vaatii valtuutetun korjaamon tarkastusta

Varoituskoodit

Esim. ks. kuva **25** B, sivulla 16.

Varoituskoodi	Häiriö	Mahdollinen syy	Ratkaisuehdotus
!VAROITUS 32	Tuulettimen ylivirta	Sisäinen häiriö.	Kytke laite pois päältä vähintään 5 minuutiksi, käynnistä se sitten uudelleen. Jos ongelma ei poistu, tarvitaan valtuutetun korjaamon tarkastusta
!VAROITUS 33	Kompressorin käynnistysvika		

Varoituskoodi	Häiriö	Mahdollinen syy	Ratkaisuehdotus
!VAROITUS 34	Kompressorin nopeus liian pieni	<ul style="list-style-type: none"> Korkea ympäristön lämpötila Ilmanvaihtoaukko tukossa tai liian pieni rako Sisäinen häiriö 	<ul style="list-style-type: none"> Kytke laite pois päältä vähintään 30 minuutiksi tai siirrä kylmälaatikko viileämpään paikkaan, käynnistä sitten uudelleen Avaa ilmanvaihtoaukot Vaatii valtuutetun korjaamon tarkastusta
!VAROITUS 01	NTC piirikatko SZ & DZ LARGE	Sisäinen häiriö	Vaatii valtuutetun korjaamon tarkastusta
!VAROITUS 11	NTC piirikatko DZ SMALL		
!VAROITUS 02	NTC oikosulku SZ & DZ LARGE		
!VAROITUS 12	NTC oikosulku DZ SMALL		
!VAROITUS 09	DZ-venttiili tai jääkoneen venttiili viallinen		Kytke laite pois päältä vähintään 1 minuutiksi, käynnistä se sitten uudelleen. Jos ongelma ei poistu, tarvitaan valtuutetun korjaamon tarkastusta
!VAROITUS 03/43	Tietoliikennevirhe		

10 Takuu

Tuotetta koskee lakisääteinen tuotevastuu-aika. Jos tuote on viallinen, ota yhteyttä jälleenmyyjään tai valmistajan toimipisteeseen omassa maassasi (ks. dometic.com/dealer).

Jos lähetät tuotteen korjattavaksi, liitä korjaus- ja takuukäsittelyä varten mukaan seuraavat asiakirjat:

- Kopio kuitista, jossa näkyy ostopäivä
- Valitusperuste tai vikakuvaus

11 Hävittäminen



VAROITUS! Lasten loukkuun jäämisen vaara

Ennen vanhan kylmälaitteen hävittämistä:

- irrota kansi.
- Jätä korit paikalleen, jotta lapset eivät voi kiivetä helposti laitteen sisälle.

Pakkausmateriaalin kierrätys



- Vie pakkausmateriaalit mahdollisuuksien mukaan niille tarkoitettuihin kierrätysjäteastioihin.

Kiinteästi asennettuja akkuja, ladattavia akkuparistoja ja valonlähteitä sisältävien tuotteiden kierrätys



- Jos tuotteessa on kiinteästi asennettuja akkuja, ladattavia akkuparistoja tai valonlähteitä, niitä ei tarvitse poistaa ennen tuotteen hävittämistä.
- Jos haluat poistaa tuotteen lopullisesti käytöstä, tiedustele yksityiskohtaisia hävittämistä koskevia ohjeita ja määräyksiä lähimmästä kierrätyskeskuksesta tai erikoisliikkeestä.
- Tuotteen voi hävittää veloituksetta.



12 Tekniset tiedot



OHJE

Minimilämpötilaa, joka näkyy kohdassa "Jäähdytysteho" ei voida saavuttaa, jos ympäristön lämpötila on yli 32 °C (90 °F) malleissa CFX 3 25/35/45/55/55IM/100 tai jos ympäristön lämpötila on yli 30 °C (86 °F) malleissa CFX 3 75DZ/95DZ (pieni -22 °C/suuri +4 °C).

Tarkastus/sertifikaatit:



	CFX3 25	CFX3 35
Liitäntäjännite:	12/24 V=== 100-240 V~	
Nimellisvirta:	12 V===: 6,5 A 24 V===: 3,2 A 100 V~: 0,90 A 240 V~: 0,38 A	12 V===: 7,5 A 24 V===: 3,3 A 100 V~: 0,94 A 240 V~: 0,39 A
Jäähdytysteho:	+20 °C ... -22 °C (+68 °F ... -8 °F)	
Ilmastoluokka:	N, T	
Ympäristön lämpötila:	+16 °C ... +43 °C (+61 °F ... +110 °F)	
USB-latausliitin:	5 V===, 2 A	
Taajuusalue:	WiFi: 2412 MHz – 2472 MHz/2422 MHz – 2462 MHz Bluetooth/BLE: 2402 MHz – 2480 MHz	
Taajuuskaista (WiFi):	2,4 GHz	
Radiotaajuinen lähtöteho:	WiFi: 16,62 dBm (802.11b), 16,23 dBm (802.11g), 16,45 dBm (802.11n20), 16,02 dBm (802.11n40) Bluetooth: 8,31 dBm Bluetooth LE: 6,67 dBm	
Kylmäaineen määrä:	32 g	38 g
CO ₂ -ekvivalentti:	0,046 t	0,054 t
Vaikutus ilmaston lämpenemiseen (GWP):	1430	
Mitat (L x S x K), mm (kahvat mukaan lukien):	342 x 569 x 420	398 x 694 x 407
Paino:	12,7 kg	16,9 kg

	CFX 3 45	CFX3 55
Liitäntäjännite:	12/24 V=== 100–240 V~	
Nimellisvirta:	12 V===: 8,2 A 24 V===: 3,5 A 100 V~: 0,96 A 240 V~: 0,40 A	12 V===: 8,7 A 24 V===: 3,7 A 100 V~: 0,98 A 240 V~: 0,41 A
Jäähdytysteho:	+20 °C ... -22 °C (+68 °F ... -8 °F)	
Ilmastoluokka:	N, T	
Ympäristön lämpötila:	+16 °C ... +43 °C (+61 °F ... +110 °F)	
USB-latausliitin:	5 V===, 2 A	
Taajuusalue:	WiFi: 2412 MHz – 2472 MHz/2422 MHz – 2462 MHz Bluetooth/BLE: 2402 MHz – 2480 MHz	
Taajuuskaista (WiFi):	2,4 GHz	
Radiotaajuinen lähtöteho:	WiFi: 16,62 dBm (802.11b), 16,23 dBm (802.11g), 16,45 dBm (802.11n20), 16,02 dBm (802.11n40) Bluetooth: 8,31 dBm Bluetooth LE: 6,67 dBm	
Kylmäaineen määrä:	42 g	45 g
CO ₂ -ekvivalentti:	0,060 t	0,064 t
Vaikutus ilmaston lämpenemiseen (GWP):	1430	
Mitat (L x S x K), mm (kahvat mukaan lukien):	398 x 694 x 476	720 x 455 x 480
Paino:	18,7 kg	20,4 kg

	CFX3 55IM	CFX3 75DZ	CFX3 95DZ
Liitäntäjännite:	12/24 V=== 100-240 V~		
Nimellisvirta:	12 V===: 8,9 A 24 V===: 3,8 A 100 V~: 1,00 A 240 V~: 0,42 A	12 V===: 9,6 A 24 V===: 4,2 A 100 V~: 1,12 A 240 V~: 0,47 A	12 V===: 10,4 A 24 V===: 4,6 A 100 V~: 1,22 A 240 V~: 0,51 A
Jäähdytysteho:	+20 °C ... -22 °C (+68 °F ... -8 °F)		
Ilmastoluokka:	N, T		
Ympäristön lämpötila:	+16 °C ... +43 °C (+61 °F ... +110 °F)		
USB-latausliitin:	5 V===, 2 A		
Taajuusalue:	WiFi: 2412 MHz – 2472 MHz/2422 MHz – 2462 MHz Bluetooth/BLE: 2402 MHz – 2480 MHz		
Taajuuskaista (WiFi):	2,4 GHz		
Radiotaajuinen lähtöteho:	WiFi: 16,62 dBm (802.11b), 16,23 dBm (802.11g), 16,45 dBm (802.11n20), 16,02 dBm (802.11n40) Bluetooth: 8,31 dBm Bluetooth LE: 6,67 dBm		
Kylmäaineen määrä:	45 g	59 g	67 g
CO ₂ -ekvivalentti:	0,064 t	0,084 t	0,096 t
Vaikutus ilmaston lämpenemiseen (GWP):	1430		
Mitat (L x S x K), mm (kahvat mukaan lukien):	720 x 455 x 480	892 x 495 x 472	962 x 530 x 472
Paino:	21,3 kg	27,8 kg	29,8 kg

	CFX3 100
Liitäntäjännite:	12/24 V=== 100–240 V~
Nimellisvirta:	12 V===: 10,8 A 24 V===: 4,8 A 100 V~: 1,28 A 240 V: 0,53 A
Jäähdytysteho:	+20 °C ... -22 °C (+68 °F ... -8 °F)
Ilmastoluokka:	N, T
Ympäristön lämpötila:	+16 °C ... +43 °C (+61 °F ... +110 °F)
USB:	5 V===, 2 A
Taajuusalue:	WiFi: 2412 MHz – 2472 MHz/2422 MHz – 2462 MHz Bluetooth/BLE: 2402 MHz – 2480 MHz
Taajuuskaista (WiFi):	2,4 GHz
Radiotaajuinen lähtöteho:	WiFi: 16,62 dBm (802.11b), 16,23 dBm (802.11g), 16,45 dBm (802.11n20), 16,02 dBm (802.11n40) Bluetooth: 8,31 dBm Bluetooth LE: 6,67 dBm
Kylmäaineen määrä:	60 g
CO ₂ -ekvivalentti:	0,086 t
Vaikutus ilmaston lämpenemiseen (GWP):	1430
Mitat (L x S x K), mm (kahvat mukaan lukien):	962 x 530 x 472
Paino:	29,6 kg

Jäähdytyskierto sisältää kylmäainetta R134a.

Sisältää fluorattuja kasvihuonekaasuja.

Kylmälaiteisto on hermeettisesti suljettu.

Radiolaite Dometic CFX3 25 to CFX3 100 vastaa direktiivin 2014/53/EU vaatimuksia. Löydät laitteen vaatimustenmukaisuusvakuutuksen osoitteesta documents.dometic.com.

Пожалуйста, внимательно прочтите и соблюдайте все указания, рекомендации и предупреждения, содержащиеся в этом руководстве по использованию изделия, чтобы гарантировать правильную установку, использование и обслуживание изделия. Эта инструкция ДОЛЖНА оставаться вместе с этим изделием.

Используя изделие, вы тем самым подтверждаете, что внимательно прочитали все указания, рекомендации и предупреждения, а также, что вы понимаете и соглашаетесь соблюдать положения и условия, изложенные в настоящем документе. Вы соглашаетесь использовать это изделие только по прямому назначению и в соответствии с указаниями, рекомендациями и предупреждениями, изложенными в данном руководстве по использованию изделия, а также в соответствии со всеми применимыми законами и правилами. Несоблюдение указаний и предупреждений, изложенных в данном документе может привести к травмам вас и других лиц, повреждению вашего изделия или повреждению другого имущества, находящегося поблизости. Данное руководство по использованию изделия, включая указания, рекомендации и предупреждения, а также сопутствующую документацию, может подвергаться изменениям и обновлениям. Актуальную информацию о продукте можно найти на сайте documents.dometic.com, dometic.com.

Содержание

1	Пояснение к символам	320
2	Указания по технике безопасности	321
3	Комплект поставки	324
4	Аксессуары	324
5	Использование по назначению	325
6	Описание работы	326
6.1	Функции	326
6.2	Элементы управления и индикации	327
7	Управление	328
7.1	Перед первым использованием	329
7.2	Энергосбережение	329
7.3	Изменение направления открытия крышки	329
7.4	Подключение холодильника	330
7.5	Пользование холодильником	331
7.6	Использование дисплея	331
7.7	Блокировка/разблокировка дисплея	332
7.8	Выбор единицы измерения температуры	332
7.9	Настройка температуры	332
7.10	Использование реле защиты аккумулятора	332
7.11	Настройка яркости дисплея	333
7.12	Включение или выключение камер (только CFX3 75DZ, CFX3 95DZ)	333
7.13	Использование устройства для приготовления льда (только CFX3 55IM)	333
7.14	Скачивание приложения CFX3	335
7.15	Настройка сигнала Bluetooth и подключение к приложению	336
7.16	Настройка сигнала WiFi и подключение к приложению	336

7.17	Изменение имени и пароля CFX в приложении	336
7.18	Сброс пароля приложения (только WiFi).	337
7.19	Сброс на заводские настройки	337
7.20	USB-порт для электропитания	337
7.21	Оттаивание холодильника	337
7.22	Замена предохранителя переменного тока	338
7.23	Замена предохранителя постоянного тока	338
7.24	Замена предохранителя штекера постоянного тока	338
7.25	Замена печатной платы	338
8	Очистка и уход	339
9	Устранение неисправностей	340
10	Гарантия	344
11	Утилизация	344
12	Технические характеристики	345

1 Пояснение к символам



ОПАСНОСТЬ!

Указание по технике безопасности: Указывает на опасную ситуацию, которая, если ее не избежать, приведет к смерти или серьезным травмам.



ПРЕДУПРЕЖДЕНИЕ!

Указание по технике безопасности: Указывает на опасную ситуацию, которая, если ее не избежать, может привести к смерти или серьезным травмам.



ОСТОРОЖНО!

Указание по технике безопасности: Указывает на опасную ситуацию, которая, если ее не избежать, может привести к травмам легкой или средней степени тяжести.



ВНИМАНИЕ!

Указывает на ситуацию, которая, если ее не избежать, может привести к материальному ущербу.

**УКАЗАНИЕ**

Дополнительная информация о работе с устройством.

2 Указания по технике безопасности



ОПАСНОСТЬ! Несоблюдение этих предупреждений ведет к смерти или серьезной травме.

Опасность поражения электрическим током

- На катерах и лодках: при работе от сети строго следите за тем, чтобы электропитание было защищено устройством защитного отключения.
- Не беритесь голыми руками за оголенные провода. Это прежде всего относится к ситуациям, когда устройство работает от сети переменного тока.
- Перед включением убедитесь, что питающий кабель и штекер сухие.



ПРЕДУПРЕЖДЕНИЕ! Несоблюдение этих предупреждений может привести к смерти или серьезной травме.

Опасность поражения электрическим током

- Запрещается эксплуатировать холодильник, если он имеет видимые повреждения.
- Если кабель питания этого охлаждающего устройства поврежден, его необходимо заменить, чтобы предотвратить угрозу безопасности.
- Ремонт данного холодильника разрешается выполнять только квалифицированному персоналу. Ненадлежащий ремонт может привести к значительным опасностям.
- Подключайте устройство к розеткам, которые обеспечивают правильное подключение, особенно когда устройство необходимо заземлить.

Опасность возникновения пожара

- При установке устройства шнур питания не должен быть зажат или поврежден.
- Не располагайте позади устройства выносные переходники и удлинители с несколькими розетками.
- Не закрывайте вентиляционные отверстия на корпусе устройства или на встроенном оборудовании.

- Не используйте механические предметы или другие средства, чтобы ускорить процесс оттаивания, за исключением средств, рекомендованных производителем.
- Не допускайте повреждений холодильного контура.

Опасность для здоровья

- Это устройство может использоваться детьми с 8-ми лет и старше, а также лицами с ограниченными физическими, сенсорными и умственными возможностями или при недостатке необходимого опыта и знаний только под присмотром или после прохождения инструктажа по безопасному использованию устройства, если они понимают опасности, которые при этом могут возникнуть.
- Детям запрещается играть с устройством.
- Запрещается выполнять очистку и пользовательское техническое обслуживание детям без присмотра.
- Детям в возрасте от 3 до 8 лет разрешается загружать и разгружать охлаждающие устройства.

Опасность взрыва

- Не храните в холодильнике взрывоопасные вещества, например, аэрозольные баллоны с горючими газами-вытеснителями.



ОСТОРОЖНО! Несоблюдение этих предостережений может привести к травме легкой или средней степени тяжести.

Опасность поражения электрическим током

- Отсоединяйте холодильник от электропитания:
 - перед каждой очисткой и уходом,
 - после каждого использования.

Опасность для здоровья

Во избежание загрязнения продуктов питания соблюдайте следующие указания:

- Убедитесь, что холодопроизводительность прибора позволяет обеспечить условия, необходимые для хранения продуктов питания или медикаментов.
- Продукты питания разрешается хранить только в оригинальной упаковке или в подходящих емкостях.
- Удерживание двери охлаждающего устройства открытой в течение длительного времени может привести к существенному повышению температуры внутри устройства.
- Регулярно очищайте поверхности, которые могут контактировать с пищевыми продуктами и доступными сливными системами.

- Если устройство остается пустым в течение длительного времени:
 - Выключите устройство.
 - Разморозьте устройство.
 - Очистите и высушите устройство.
 - Оставьте крышку открытой, чтобы предотвратить образование плесени внутри устройства.



ВНИМАНИЕ! Риск повреждения

- Сравните значения напряжения, указанные на заводской табличке, с характеристиками имеющегося источника питания.
- Подсоединяйте холодильник только следующим образом:
 - Соединительным кабелем постоянного тока к сети постоянного тока в автомобиле
 - Или соединительным кабелем переменного тока к источнику переменного тока.
- Не вытаскивайте вилку из розетки за кабель.
- Если холодильник подключен к источнику постоянного тока, прежде чем подключить устройство быстрой зарядки, отсоедините холодильник и другие потребители от аккумуляторной батареи.
- Если холодильник подключен к источнику постоянного тока, отсоедините холодильник или выключите его при выключении двигателя. В противном случае аккумуляторная батарея автомобиля может разрядиться.
- Холодильник не предназначен для транспортировки едких или содержащих растворители веществ.
- В изоляции холодильника содержится горючий циклопентан, который требует особого метода утилизации. По окончании срока службы сдайте охлаждающее устройство в соответствующий центр утилизации.
- Не используйте электрические приборы внутри холодильника, за исключением случаев, когда эти приборы рекомендованы для этого изготовителем.
- Не устанавливайте холодильник вблизи открытого огня или других источников тепла (радиаторов отопления, сильных солнечных лучей, газовых печей и т. п.).

- **Опасность перегрева!**

Следите за тем, чтобы со всех четырех сторон охлаждающего устройства имелось свободное пространство не менее 50 мм для надлежащей вентиляции. Поддерживайте зону вентиляции свободной от любых объектов, которые могут ограничить воздушный поток к охлаждающим компонентам.

Не размещайте охлаждающее устройство в закрытых отсеках или в зонах, в которых отсутствует поток воздуха или же он минимален.

- Не закрывайте вентиляционные отверстия.
- Запрещается заполнять внутреннее пространство жидкостями или льдом.
- Не погружайте холодильник в воду.
- Не подвергайте холодильник и кабели воздействию высоких температур и влаги.
- Не допускать попадания на прибор дождя.

3 Комплект поставки

Позиция на рис. 1, стр. 3	Количество	Наименование
1	1	Холодильник
2	1	Соединительный кабель для присоединения к сети постоянного тока
3	1	Соединительный кабель для присоединения к сети переменного тока

4 Аксессуары

Не входят в комплект поставки и приобретаются отдельно:

Название	№ изд.	Модель
Защитный кожух		
CFX3 25PC	9600028749	CFX3 25
CFX3 35PC	9600028455	CFX3 35
CFX3 45PC	9600028456	CFX3 45

Название	№ изд.	Модель
CFX3 55PC	9600028457	CFX3 55
		CFX3 55IM
CFX3 75PC	9600028458	CFX3 75DZ
CFX3 95PC	9600028459	CFX3 95DZ
CFX3 100PC	9600028460	CFX3 100
Выдвижной модуль холодильника		
CFX3 SLD3545	9600028548	CFX3 35
		CFX3 45
CFX3 SLD55	9600028549	CFX3 55
		CFX3 55IM
CFX3 SLD75	9600028550	CFX3 75DZ
CFX3 SLD95100	9600028551	CFX3 95DZ
		CFX3 100
CFX3 app	–	подходит для всех моделей
PLB 40	9600012878	подходит для всех моделей

Обратите внимание, что приложение CFX3 может быть недоступно в вашей стране.

5 Использование по назначению

Холодильник предназначен для охлаждения продуктов питания. Холодильник может использоваться в транспортных средствах. Холодильник предназначен для работы от розетки источника постоянного тока транспортного средства, а также от сети переменного тока.

Холодильник пригоден также для использования в кемпингах.

Холодильник предназначен для использования в домашнем хозяйстве и подобных областях применения, таких как

- кухонные зоны для персонала в магазинах, офисах и других рабочих местах
- фермерские дома

- клиенты в отелях, мотелях и других жилых помещениях
- в гостиницах типа «постель и завтрак»
- общественное питание и аналогичные сферах нерозничной торговли

Холодильник **не** предназначен для:

- хранения агрессивных и едких средств и веществ, содержащих растворители

Данный холодильник подходит только для использования по назначению и применения в соответствии с данной инструкцией.

В данной инструкции содержится информация, необходимая для правильного монтажа и/или эксплуатации холодильника. Неправильный монтаж и/или ненадлежащая эксплуатация или техническое обслуживание приводят к неудовлетворительной работе и возможному отказу.

Изготовитель не несет ответственности за какие-либо травмы или повреждение продукта в результате следующих причин:

- Неправильная сборка или подключение, включая повышенное напряжение
- Неправильное техническое обслуживание или использование запасных частей, отличных от оригинальных запасных частей, предоставленных изготовителем
- Изменения в продукте, выполненные без однозначного разрешения изготовителя
- Использование в целях, отличных от указанных в данной инструкции

Компания Dometic оставляет за собой право изменять внешний вид и технические характеристики продукта.

6 Описание работы

Охлаждение осуществляется посредством холодильного контура с компрессором. Контур требует минимального обслуживания. Надежная изоляция и мощный компрессор обеспечивают эффективное и быстрое охлаждение.

Охлаждающее устройство является портативным устройством.

Холодильник может подвергаться кратковременному крену в 30°.

6.1 Функции

- Блок питания с приоритетной схемой для подключения к источнику переменного напряжения
- Трехступенчатое реле для защиты аккумуляторной батареи автомобиля

- Дисплей с индикацией температуры в °C и °F,
- Настройка температуры с шагом 1 °C (1 °F)
- Интегрированная функция WiFi и Bluetooth, позволяющая управление с помощью приложения
- Складные ручки для переноски
- Зарядное USB-устройство для портативных устройств, например, мобильных телефонов
- Вынимающаяся корзина
- **Только CFX3 55IM:** Устройство для приготовления льда

6.2 Элементы управления и индикации

Защелка для крышки: рис. 2 1, стр. 3

Панель управления (рис. 3, стр. 4):

Поз.	Наименование	Пояснение
1		Включает холодильник при кратковременном нажатии кнопки Выключает холодильник, если нажать кнопку на три секунды Вызывает возврат в предыдущее меню
2	Дисплей	Отображает информацию ac : Источник переменного тока присоединен dcv : Источник постоянного тока присоединен  : Bluetooth активирован  : WiFi активирован  : Дисплей заблокирован  : Компрессор в работе  : Устройство для приготовления льда в работе (только CFX3 55IM)

Поз.	Наименование	Пояснение
3		<p>Нажмите  для навигации вверх или для увеличения выбранного значения.</p> <p>Нажмите  для навигации вниз или для уменьшения выбранного значения.</p> <p>Нажмите  и  одновременно на 3 секунды, чтобы заблокировать или разблокировать дисплей.</p>
4		Нажмите для выбора меню или для сохранения выбранного значения.

Соединительные гнезда (рис. 4, стр. 4):

Поз.	Наименование
1	Гнездо для подключения источника переменного тока
2	Гнездо для источника постоянного тока
3	Держатель предохранителя постоянного тока
4	Держатель предохранителя переменного тока

7 Управление

Чтобы избежать пищевых отходов, обратите внимание на следующее:

- Обеспечивайте как можно меньшие колебания температуры. Открывайте холодильник только по необходимости. Храните продукты так, чтобы воздух мог хорошо циркулировать.
- Отрегулируйте температуру в соответствии с количеством и типом продуктов.
- Пищевые продукты могут легко впитывать или выделять запах или вкус. Всегда храните продукты питания накрытыми сверху или в закрытых контейнерах/бутылках.

7.1 Перед первым использованием



УКАЗАНИЕ

Перед вводом нового холодильника в эксплуатацию в гигиенических целях необходимо протереть его снаружи и изнутри влажной тряпкой (см. также гл. «Очистка и уход» на стр. 339).

7.2 Энергосбережение

- Выберите хорошо проветриваемое место, защищенное от прямых солнечных лучей.
- Дайте теплым блюдам охладиться, прежде чем поместить их в холодильник.
- Не открывайте устройство чаще, чем это действительно необходимо.
- Не оставляйте открытым охлаждающее устройство дольше, чем это действительно необходимо.
- Если устройство имеет корзину: для оптимального потребления энергии расположите корзину в соответствии с ее положением при поставке.
- Регулярно проверяйте, плотно ли прилегает уплотнение крышки.

7.3 Изменение направления открытия крышки

CFX 3 55, CFX 3 55IM, CFX 3 100

- ▶ Соблюдайте порядок действий, как показано (рис. **5**, стр. 5).

CFX 3 75DZ, CFX 3 95DZ

- ▶ Соблюдайте порядок действий, как показано (рис. **6**, стр. 6).

7.4 Подключение холодильника



ВНИМАНИЕ! Риск повреждения

- Для защиты устройства в комплект поставки входит кабель постоянного тока с предохранителем, расположенным внутри штекера. **Не** снимайте штекер постоянного тока с предохранителем. Используйте только входящий в комплект поставки кабель постоянного тока.
- Отсоедините холодильник и другие потребители от аккумуляторной батареи, прежде чем зарядить ее устройством для ускоренного заряда.
Перенапряжение может повредить электронное оборудование подключенных потребителей.

Подключение к аккумуляторной батарее

- Соблюдайте порядок действий, как показано (рис. **7**, стр. 7).

Соединение через расширенную жесткую разводку постоянного тока (только CFX 3 100)

- Соблюдайте порядок действий, как показано (рис. **8**, стр. 8).

Подключение к источнику переменного тока



ОПАСНОСТЬ! Опасность поражения электрическим током

- Не беритесь за вилки и выключатели влажными руками или стоя ногами на мокрой поверхности.
 - Если холодильник на борту катера работает от сети переменного тока, обязательно установить автоматический выключатель дифференциальной защиты между сетью переменного тока и холодильником.
Проконсультируйтесь со специалистом.
- Соблюдайте порядок действий, как показано (рис. **9**, стр. 9).

7.5 Пользование холодильником



ВНИМАНИЕ! Опасность перегрева

Следите за эффективностью вентиляции: тепло, которое образуется во время эксплуатации, должно отводиться полностью. Убедитесь, что воздух свободно проходит через вентиляционные щели. Следите за тем, чтобы устройство располагалось на достаточном расстоянии от стен или других предметов и ничто не препятствовало циркуляции воздуха.



УКАЗАНИЕ

При работе от аккумулятора дисплей автоматически выключается при низком напряжении аккумулятора.

- Включение холодильника: рис. **10**, стр. 9
- Выключение холодильника: рис. **11**, стр. 10

7.6 Использование дисплея

Состояния дисплея (рис. **12**, стр. 10)

Поз.	Наименование
A	Готовность к работе
B	Ожидание
C	Заблокирован

Общий вид дисплея: рис. **13**, стр. 11

Переход по пунктам меню

Выделенное меню выбрано.

- ▶ Нажмите  для навигации вверх.
- ▶ Нажмите  для навигации вниз.

Выбор меню

- ▶ Нажмите , чтобы выбрать требуемое меню.

Изменение настроек

Выделенное значение или настройка выбраны.

- ▶ Нажмите \triangle , чтобы увеличить выбранное значение или выбрать предыдущую настройку.
- ▶ Нажмите ∇ , чтобы уменьшить выбранное значение или выбрать следующую настройку.

Возврат в предыдущее меню

- ▶ Нажмите \leftarrow , чтобы вернуться в предыдущее меню, не сохраняя значения.

7.7 Блокировка/разблокировка дисплея

- ▶ Нажмите \triangle и ∇ одновременно на 3 секунды, чтобы заблокировать или разблокировать дисплей (рис. 14, стр. 11).

7.8 Выбор единицы измерения температуры

- ▶ Соблюдайте порядок действий, как показано (рис. 15, стр. 11).

7.9 Настройка температуры



ВНИМАНИЕ! Опасность повреждения из-за слишком низкой температуры

Следите за тем, чтобы в холодильнике находились только предметы и продукты, которые разрешается охлаждать до выбранной температуры.

- ▶ Соблюдайте порядок действий, как показано (рис. 16, стр. 12).

7.10 Использование реле защиты аккумулятора

Устройство оснащено 3-ступенчатой защитой аккумулятора. Реле защиты аккумулятора предотвращает чрезмерную разрядку, когда устройство подключено к стартерному аккумулятору автомобиля, или увеличивает время использования питающего аккумулятора.

Если холодильник работает при выключенном зажигании в автомобиле, то холодильник отключается автоматически, как только напряжение питания падает ниже установленного значения. Холодильник включается снова, когда благодаря заряду батареи достигается напряжение повторного включения.

**ВНИМАНИЕ! Риск повреждения**

После выключения реле защиты аккумулятора аккумулятор больше не будет полностью заряжен. Избегайте частых запусков. Регулярно заряжайте аккумулятор.

**УКАЗАНИЕ**

Если питание холодильника осуществляется от стартерной аккумуляторной батареи, то выберите режим работы реле защиты аккумулятора «MEDIUM» или «HIGH». Если питание холодильника осуществляется от питающей аккумуляторной батареи, то достаточно режима работы реле защиты аккумулятора «LOW».

- ▶ Соблюдайте порядок действий, как показано (рис. 17, стр. 13).

7.11 Настройка яркости дисплея

- ▶ Соблюдайте порядок действий, как показано (рис. 18, стр. 13).

7.12 Включение или выключение камер (только CFX 3 75DZ, CFX 3 95DZ)

Вы можете активировать каждую зону по отдельности или обе одновременно.

- ▶ Соблюдайте порядок действий, как показано (рис. 19, стр. 14).

7.13 Использование устройства для приготовления льда (только CFX 3 55IM)

**УКАЗАНИЕ**

- Независимо от настройки температуры основной камеры, зона льдогенератора предназначена для приготовления кубиков льда, если устройство для приготовления льда включено.
- Энергопотребление холодильника увеличивается при включении устройства для приготовления льда. Поэтому следует выключать устройство для приготовления льда, если оно не нужно.
- Заводская настройка устройства для приготовления льда - ВЫКЛ.

- ▶ Соблюдайте порядок действий, как показано (рис. 20, стр. 14).

Заполнение емкостей для льда водой

- ▶ Извлеките емкости для льда (рис. 21 1, стр. 15) из корпуса устройства для приготовления льда (рис. 21 2, стр. 15).
- ▶ Снимите крышки с емкостей для льда, наполните их чистой водой и установите крышки на место, стараясь прижимать краевое уплотнение до конца со всех сторон.
- ▶ Поместите емкости для льда в корпус устройства для приготовления льда и закройте крышку.



УКАЗАНИЕ

Удалите вытекшую воду из-под емкостей для льда. Это уменьшит образование льда под емкостями и облегчит удаление.

Извлечение кубиков льда

- ▶ Откройте крышку корпуса устройства для приготовления льда и поднимите под передней частью емкостей для льда.



УКАЗАНИЕ

Извлечение может потребовать дополнительного усилия и использования обеих рук в условиях высокой влажности, которые могут создать ледяную перемычку под емкостями для льда.

- ▶ Снимите крышки емкостей для льда и поверните емкости, чтобы освободить кубики льда.

Снятие корпуса устройства для приготовления льда

Корпус устройства для приготовления льда можно снять для очистки или когда он не используется, чтобы увеличить полезное пространство внутри холодильника:

- ▶ Поднимите корпус за один конец, пока защелка не отсоединится, затем снимите.
- ▶ Для установки повторите процедуру в обратном порядке, нажав на защелки, чтобы зафиксировать их.

Советы по использованию устройства для приготовления льда

- Устройство для приготовления льда быстро замораживает лед в течение нескольких часов после включения, а затем автоматически переходит в режим поддержания, чтобы снизить потребление энергии. Если требуется как можно быстрее несколько партий льда, выключение и повторное включение устройства для приготовления льда вернет его в режим быстрого приготовления льда. Повторите процедуру по мере необходимости.
- Настройки низкой температуры морозильной камеры в основном отделении могут не поддерживаться в условиях высокой температуры окружающей среды при включенном устройстве для приготовления льда.

Очистка и сушка устройства для приготовления льда

- ▶ Когда они не используются, очищайте и высушивайте емкости для льда и внутреннее пространство корпуса устройства для приготовления льда для предотвращения образования плесени.
- ▶ После длительных периодов неиспользования очистите внутреннюю поверхность емкостей для льда с помощью нейтрального раствора для мытья посуды и промойте чистой водой перед использованием.

7.14 Скачивание приложения CFX3

Холодильник можно контролировать и управлять через Bluetooth или WiFi с помощью приложения, которое вы можете установить на совместимое устройство.

- ▶ Скачайте приложение CFX3 из App Store или Google Play:



Обратите внимание, что приложение CFX3 может быть недоступно в вашей стране.

7.15 Настройка сигнала Bluetooth и подключение к приложению

Холодильник можно контролировать и управлять через Bluetooth. Для этого вам необходимо подключить холодильник к вашему Bluetooth-устройству.



УКАЗАНИЕ

- Сопряжение должно быть выполнено в приложении CFX3, а не в настройках устройства.
- Для соединения по Bluetooth пароль не требуется.

► Соблюдайте порядок действий, как показано (рис. 22, стр. 15).

7.16 Настройка сигнала WiFi и подключение к приложению

Холодильник можно контролировать и управлять через WiFi напрямую к холодильнику или через сеть WiFi.

- Для включения WiFi соблюдайте порядок действий, как показано (рис. 23, стр. 16).
- Для WiFi напрямую к холодильнику зайдите в настройки устройства и выберите ваш холодильник.
 - Имя WiFi вашего холодильника начинается с «CFX3».
 - Предварительно установленный пароль: «00000000».
 - Вы можете персонализировать имя WiFi и пароль в приложении CFX3.



УКАЗАНИЕ

Для подключения через сеть WiFi перейдите к «Сетевое подключение» в настройках приложения.

7.17 Изменение имени и пароля CFX в приложении

- Вы можете персонализировать имя вашего CFX в приложении.
 - Одно и то же имя относится как к Bluetooth, так и к WiFi.
 - Вы также можете персонализировать свой пароль в приложении - применимо только к WiFi.
- Перейдите к «Имя и пароль CFX» в настройках приложения.

7.18 Сброс пароля приложения (только WiFi)

Вы можете сбросить пароль приложения на заводскую настройку: «**00000000**».

- ▶ Соблюдайте порядок действий, как показано (рис. **23**, стр. 16).

7.19 Сброс на заводские настройки

Функция сброса изменяет все поля меню дисплея и приложения на исходные заводские настройки.

- ▶ Соблюдайте порядок действий, как показано (рис. **24**, стр. 16).

7.20 USB-порт для электропитания

USB-порт можно использовать для зарядки небольших приборов (например, мобильных телефонов или MP3-плееров).



УКАЗАНИЕ

Убедитесь в том, что присоединенное к USB-порту устройство пригодно для работы с 5 В/2 А.

- ▶ Соблюдайте порядок действий, как показано (рис. **26**, стр. 17).

7.21 Оттаивание холодильника

Влага из воздуха может выпадать в камере холодильника или на испарителе в виде снеговой шубы. Это ведет к уменьшению мощности охлаждения. Своевременно размораживайте прибор.



ВНИМАНИЕ! Риск повреждения

Для удаления слоя льда и отделения примерзших продуктов не используйте твердые или острые инструменты.

При размораживании холодильника соблюдайте следующий порядок действий:

- ▶ Извлеките содержимое холодильника.
- ▶ При необходимости, переложите их в другой холодильник, чтобы они оставались холодными.
- ▶ Выключите устройство.
- ▶ Оставьте крышку открытой.
- ▶ Уберите оттаявшую воду.

7.22 Замена предохранителя переменного тока



ОПАСНОСТЬ! Опасность поражения электрическим током

Перед заменой предохранителя прибора отсоедините электропитание и вытяните питающий кабель.

- ▶ Отсоедините электропитание устройства.
- ▶ Отсоедините кабель.
- ▶ Извлеките вставку предохранителя (рис. **4** 4, стр. 4), например, отверткой.
- ▶ Замените неисправный предохранитель на новый того же типа и с теми же параметрами (быстродействующий, 4 А, 250 В).
- ▶ Вставьте вставку предохранителя в корпус.
- ▶ Присоедините электропитание устройства.

7.23 Замена предохранителя постоянного тока

- ▶ Извлеките крышку предохранителя (рис. **4** 3, стр. 4), например, отверткой.
- ▶ Переверните крышку предохранителя и с помощью крючка удалите неисправный плоский предохранитель.
- ▶ Установите новый предохранитель с такими же характеристиками и типом.
- ▶ Установите крышку предохранителя на место.

7.24 Замена предохранителя штекера постоянного тока

- ▶ Замените неисправный предохранитель на новый с такими же характеристиками и типом.
- ▶ Соблюдайте порядок действий, как показано (рис. **27**, стр. 17).

7.25 Замена печатной платы



ВНИМАНИЕ! Риск повреждения

Во избежание опасных ситуаций замену лампы разрешается выполнять только производителю, сервисной службе или лицу, обладающему соответствующей или аналогичной квалификацией.

8 Очистка и уход



ВНИМАНИЕ! Риск повреждения

- Категорически запрещается чистить охлаждающее устройство под струей воды или в посудомоечной машине.
- Не используйте для чистки абразивные чистящие средства или острые предметы, т. к. они могут привести к повреждениям охлаждающего устройства.

- Периодически очищайте охлаждающее устройство снаружи и изнутри влажной тряпкой.
- Убедитесь в том, что приточно-вытяжные вентиляционные отверстия очищены от пыли загрязнений, чтобы можно было отвести возникающее при работе тепло и предотвратить опасность повреждения прибора.

9 Устранение неисправностей

Неисправность	Возможные причины	Вариант устранения
Устройство не работает (режим постоянного тока, зажигание включено).	Отсутствует напряжение в розетке постоянного тока.	В большинстве транспортных средств зажигание должно быть включено до подачи питания на розетку постоянного тока.
	Гнездо постоянного тока загрязнено. Плохой электрический контакт.	Если вилка сильно нагревается в гнезде постоянного тока, то, возможно, загрязнено гнездо или неправильно собрана вилка.
	Перегорел предохранитель вилки постоянного тока.	Замените предохранитель штекера постоянного тока, см. гл. «Замена предохранителя постоянного тока» на стр. 338.
	Перегорел предохранитель постоянного тока устройства.	Замените предохранитель постоянного тока устройства, см. гл. «Замена предохранителя постоянного тока» на стр. 338.
	Вышел из строя предохранитель в бортовой сети автомобиля.	Заменить предохранитель постоянного тока в бортовой сети автомобиля. Обратитесь к инструкции по эксплуатации автомобиля.
Устройство не работает (режим переменного тока).	Отсутствует напряжение в розетке переменного тока.	Попробуйте подключить прибор к другой розетке.
	Перегорел предохранитель переменного тока устройства.	Замените предохранитель переменного тока устройства, см. гл. «Замена предохранителя переменного тока» на стр. 338.
	Поврежден встроенный блок питания переменного тока.	Ремонт разрешается выполнять только в авторизованном сервисном центре.
Дисплей не реагирует на нажатия кнопок.	Дисплей заблокирован.	Разблокируйте дисплей, см. гл. «Блокировка/разблокировка дисплея» на стр. 332.

Неисправность	Возможные причины	Вариант устранения
Приложение не может управлять устройством.	Нет подключения по Bluetooth или WiFi.	Подключите Bluetooth, см. гл. «Настройка сигнала Bluetooth и подключение к приложению» на стр. 336, или подключите WiFi, см. гл. «Настройка сигнала WiFi и подключение к приложению» на стр. 336.
На дисплее отображается предупреждающее сообщение или код предупреждения.	–	См. таблицу ниже.

Предупреждающие сообщения

Например, см. рис. 25 А, стр. 16.

Предупреждающее сообщение	Наименование	Возможные причины	Вариант устранения
!ALERT - Lid open > 3 min	Крышка открыта более 3 минут	<ul style="list-style-type: none"> • Крышка не полностью закрыта • Внутренняя неисправность 	<ul style="list-style-type: none"> • Убедитесь в том, что крышка полностью закрыта • Требуется проверка уполномоченным ремонтным центром

Предупреждающее сообщение	Наименование	Возможные причины	Вариант устранения
!ALERT - Voltage low	Устройство перестало работать на постоянном токе из-за низкого напряжения	<ul style="list-style-type: none"> • Недостаточное напряжение питания • Слишком низкое напряжение аккумулятора • Слишком высокая настройка реле защиты аккумулятора 	<ul style="list-style-type: none"> • Проверьте падение напряжения от батареи к электрической розетке и, при необходимости, увеличьте калибр проводов. • Проверьте батарею и, при необходимости, зарядите ее • Уменьшите настроенное значение реле защиты аккумулятора
	Устройство перестало работать на постоянном токе из-за аномально высокого напряжения >31,5 В (маловероятное событие – только для защиты электроники – используется то же предупреждение, что и при низком напряжении выше)	<ul style="list-style-type: none"> • Неправильная спецификация напряжения питания постоянного тока • Неверное напряжение питания • Внутренняя неисправность 	<ul style="list-style-type: none"> • Убедитесь, что спецификация напряжения постоянного тока соответствует паспортной табличке CFX 3 • Проверьте источник постоянного напряжения и отремонтируйте или замените, если он неисправен • Требуется проверка уполномоченным ремонтным центром

Коды предупреждения

Например, см. рис. **25** В, стр. 16.

Код предупреждения	Неисправность	Возможные причины	Вариант устранения
!WARNING 32	Перегрузка вентилятора по току	Внутренняя неисправность.	Выключите устройство не менее чем на 5 минут, затем перезапустите. Если проблема не устранена, требуется проверка уполномоченным ремонтным центром
!WARNING 33	Сбой запуска компрессора		
!WARNING 34	Скорость компрессора низкая	<ul style="list-style-type: none"> • Высокая температура окружающей среды • Вентиляционные отверстия заблокированы или недостаточный зазор • Внутренняя неисправность 	<ul style="list-style-type: none"> • Выключите устройство не менее чем на 30 минут или перейдите в более прохладное место, затем перезапустите • Очистите вентиляционные отверстия • Требуется проверка уполномоченным ремонтным центром
!WARNING 35	Перегрев контроллера		
!WARNING 01	Разомкнута цепь NTC SZ & DZ LARGE	Внутренняя неисправность	Требуется проверка уполномоченным ремонтным центром
!WARNING 11	Разомкнута цепь NTC DZ SMALL		
!WARNING 02	Короткое замыкание NTC SZ & DZ LARGE		
!WARNING 12	Короткое замыкание NTC DZ SMALL		
!WARNING 09	Неисправен клапан DZ или клапан устройства для производства льда		Выключите устройство не менее чем на 1 минуту, затем перезапустите. Если проблема не устранена, требуется проверка уполномоченным ремонтным центром
!WARNING 03/43	Ошибка связи		

10 Гарантия

Действует установленный законом срок гарантии. Если продукт неисправен, обратитесь в торговую организацию или представительство изготовителя в вашей стране (см. dometic.com/dealer).

При обращении по вопросам ремонта или гарантийного обслуживания необходимо также предоставить следующую информацию:

- копию счета с датой покупки
- причину претензии или описание неисправности

11 Утилизация



ПРЕДУПРЕЖДЕНИЕ! Опасность попадания ребенка внутрь устройства

Перед утилизацией старого охлаждающего устройства:

- Снимите крышку.
- Оставьте полки в устройстве, чтобы в него не могли залезть дети.

Переработка упаковочного материала



- По возможности, выкидывайте упаковочный материал в мусор, подлежащий вторичной переработке.

Переработка изделий с несъемными батареями, аккумуляторами и источниками света



- Если в изделии содержатся несъемные батареи, аккумуляторы и источники света, извлекать их перед утилизацией не нужно.



- Если вы окончательно выводите изделие из эксплуатации, получите информацию в ближайшем центре по вторичной переработке или в торговой сети о соответствующих предписаниях по утилизации.



- Изделие может быть утилизировано бесплатно.

12 Технические характеристики



УКАЗАНИЕ

Минимальная температура, указанная в «Холодопроизводительности», не может быть достигнута, если температура окружающей среды выше 32 °C (90 °F) для моделей CFX3 25/35/45/55/55IM/100 или если температура окружающей среды выше 30 °C (86 °F) для моделей CFX3 75DZ/95DZ (настройка меньше -22 °C/больше +4 °C).

Испытания/сертификаты:



	CFX3 25	CFX3 35
Подводимое напряжение:	12/24 В \equiv 100 – 240 В \sim	
Номинальный ток:	12 В \equiv : 6,5 А 24 В \equiv : 3,2 А 100 В \sim : 0,90 А 240 В \sim : 0,38 А	12 В \equiv : 7,5 А 24 В \equiv : 3,3 А 100 В \sim : 0,94 А 240 В \sim : 0,39 А
Холодопроизводительность:	от +20 °С до –22 °С (от +68 °F до –8 °F)	
Климатический класс:	N, T	
Температура окружающей среды:	от +16 °С до +43 °С (от +61 °F до +110 °F)	
Зарядный USB-порт:	5 В \equiv , 2 А	
Диапазон частот:	WiFi: 2412 МГц – 2472 МГц/2422 МГц – 2462 МГц Bluetooth/BLE: 2402 МГц – 2480 МГц	
Частотный диапазон (WiFi):	2,4 ГГц	
Выходная ВЧ мощность:	WiFi: 16,62 дБм (802.11b), 16,23 дБм (802.11g), 16,45 дБм (802.11n20), 16,02 дБм (802.11n40) Bluetooth: 8,31 дБм Bluetooth/BLE: 6,67 дБм	
Количество хладагента:	32 кг	38 г
CO ₂ -эквивалент:	0,046 т	0,054 т
Потенциал глобального потепления (GWP):	1430	
Размеры (Ш x Г x В), мм (с ручками):	342 x 569 x 420	398 x 694 x 407
Вес:	12,7 кг	16,9 кг

	CFX 3 45	CFX 3 55
Подводимое напряжение:	12/24 В \equiv 100 – 240 В \sim	
Номинальный ток:	12 В \equiv : 8,2 А 24 В \equiv : 3,5 А 100 В \sim : 0,96 А 240 В \sim : 0,40 А	12 В \equiv : 8,7 А 24 В \equiv : 3,7 А 100 В \sim : 0,98 А 240 В \sim : 0,41 А
Холодопроизводительность:	от +20 °С до –22 °С (от +68 °F до –8 °F)	
Климатический класс:	N, T	
Температура окружающей среды:	от +16 °С до +43 °С (от +61 °F до +110 °F)	
Зарядный USB-порт:	5 В \equiv , 2 А	
Диапазон частот:	WiFi: 2412 МГц – 2472 МГц/2422 МГц – 2462 МГц Bluetooth/BLE: 2402 МГц – 2480 МГц	
Частотный диапазон (WiFi):	2,4 ГГц	
Выходная ВЧ мощность:	WiFi: 16,62 дБм (802.11b), 16,23 дБм (802.11g), 16,45 дБм (802.11n20), 16,02 дБм (802.11n40) Bluetooth: 8,31 дБм Bluetooth/BLE: 6,67 дБм	
Количество хладагента:	42 г	45 г
CO ₂ -эквивалент:	0,060 т	0,064 т
Потенциал глобального потепления (GWP):	1430	
Размеры (Ш x Г x В), мм (с ручками):	398 x 694 x 476	720 x 455 x 480
Вес:	18,7 кг	20,4 кг

	CFX3 55IM	CFX3 75DZ	CFX3 95DZ
Подводимое напряжение:	12/24 В \equiv 100 – 240 В \sim		
Номинальный ток:	12 В \equiv : 8,9 А 24 В \equiv : 3,8 А 100 В \sim : 1,00 А 240 В \sim : 0,42 А	12 В \equiv : 9,6 А 24 В \equiv : 4,2 А 100 В \sim : 1,12 А 240 В \sim : 0,47 А	12 В \equiv : 10,4 А 24 В \equiv : 4,6 А 100 В \sim : 1,22 А 240 В \sim : 0,51 А
Холодопроизводительность:	от +20 °С до –22 °С (от +68 °F до –8 °F)		
Климатический класс:	N, T		
Температура окружающей среды:	от +16 °С до +43 °С (от +61 °F до +110 °F)		
Зарядный USB-порт:	5 В \equiv , 2 А		
Диапазон частот:	WiFi: 2412 МГц – 2472 МГц/2422 МГц – 2462 МГц Bluetooth/BLE: 2402 МГц – 2480 МГц		
Частотный диапазон (WiFi):	2,4 ГГц		
Выходная ВЧ мощность:	WiFi: 16,62 дБм (802.11b), 16,23 дБм (802.11g), 16,45 дБм (802.11n20), 16,02 дБм (802.11n40) Bluetooth: 8,31 дБм Bluetooth/BLE: 6,67 дБм		
Количество хладагента:	45 г	59 г	67 г
CO ₂ -эквивалент:	0,064 т	0,084 т	0,096 т
Потенциал глобального потепления (GWP):	1430		
Размеры (Ш x Г x В), мм (с ручками):	720 x 455 x 480	892 x 495 x 472	962 x 530 x 472
Вес:	21,3 кг	27,8 кг	29,8 кг

	CFX3 100
Подводимое напряжение:	12/24 В \equiv 100 – 240 В \sim
Номинальный ток:	12 В \equiv : 10,8 А 24 В \equiv : 4,8 А 100 В \sim : 1,28 А 240 В: 0,53 А
Холодопроизводительность:	от +20 °С до –22 °С (от +68 °F до –8 °F)
Климатический класс:	N, T
Температура окружающей среды:	от +16 °С до +43 °С (от +61 °F до +110 °F)
USB:	5 В \equiv , 2 А
Диапазон частот:	WiFi: 2412 МГц – 2472 МГц/2422 МГц – 2462 МГц Bluetooth/BLE: 2402 МГц – 2480 МГц
Частотный диапазон (WiFi):	2,4 ГГц
Выходная ВЧ мощность:	WiFi: 16,62 дБм (802.11b), 16,23 дБм (802.11g), 16,45 дБм (802.11n20), 16,02 дБм (802.11n40) Bluetooth: 8,31 дБм Bluetooth/BLE: 6,67 дБм
Количество хладагента:	60 г
СО ₂ -эквивалент:	0,086 т
Потенциал глобального потепления (GWP):	1430
Размеры (Ш x Г x В), мм (с ручками):	962 x 530 x 472
Вес:	29,6 кг

Холодильный контур содержит R134a.

Это изделие содержит фторированные парниковые газы.

Холодильный агрегат герметичен.

Радиооборудование Dometic CFX 3 25 – CFX 3 100 соответствует требованиям Директивы 2014/53/ЕС. Вы найдете декларацию соответствия для устройства на сайте documents.dometic.com.

Prosimy o uważne przeczytanie niniejszej instrukcji i przestrzeganie wszystkich zawartych w niej instrukcji postępowania, wskazówek i ostrzeżeń. Pozwoli to zapewnić, że produkt będzie zawsze prawidłowo instalowany, wykorzystywany i konserwowany. Niniejsza instrukcja MUSI przez cały czas pozostawać przy produkcie.

Korzystając z produktu, użytkownik potwierdza uważne przeczytanie wszelkich instrukcji, wskazówek i ostrzeżeń, ich zrozumienie oraz zobowiązuje się przestrzegać zawartych w nich warunków. Użytkownik zobowiązuje się wykorzystywać niniejszy produkt wyłącznie zgodnie z jego przeznaczeniem i zamierzonym zastosowaniem oraz z instrukcjami, wskazówkami i ostrzeżeniami wyszczególnionymi w niniejszej instrukcji produktu, jak również ze wszystkimi mającymi zastosowanie przepisami i regulacjami prawnymi. Nieprzestrzeganie zawartych tu instrukcji i ostrzeżeń może skutkować obrażeniami u użytkownika oraz osób trzecich, uszkodzeniem produktu lub też uszkodzeniem mienia w sąsiedztwie produktu. Zastrzega się możliwość wprowadzania zmian i aktualizacji niniejszej instrukcji produktu, wraz z instrukcjami, wskazówkami i ostrzeżeniami oraz powiązaną dokumentacją. Aktualne informacje dotyczące produktu można zawsze znaleźć na stronie documents.dometic.com, dometic.com.

Spis treści

1	Objaśnienie symboli	351
2	Wskazówki bezpieczeństwa	352
3	W zestawie	355
4	Osprzęt	355
5	Użytkowanie zgodne z przeznaczeniem	356
6	Opis działania	357
6.1	Zakres funkcji	357
6.2	Elementy obsługowe i wskaźniki	358
7	Eksploatacja.	359
7.1	Przed pierwszym użyciem.	359
7.2	Oszczędzanie energii	359
7.3	Odwracanie kierunku otwierania wieka	360
7.4	Podłączanie lodówki	360
7.5	Korzystanie z lodówki	361
7.6	Korzystanie z wyświetlacza	361
7.7	Blokowanie i odblokowywanie wyświetlacza	362
7.8	Wybór jednostki temperatury	362
7.9	Ustawianie temperatury	362
7.10	Korzystanie z zabezpieczenia akumulatora	362
7.11	Ustawianie jasności wyświetlacza	363
7.12	Włączanie lub wyłączenie komór (tylko CFX3 75DZ, CFX3 95DZ) . 363	
7.13	Korzystanie z lodownika (tylko CFX3 55IM)	363
7.14	Pobieranie aplikacji CFX3	365
7.15	Konfiguracja sygnału Bluetooth i łączenie się z aplikacją	365
7.16	Konfiguracja sygnału WiFi i łączenie się z aplikacją	365
7.17	Zmiana nazwy CFX i hasła w aplikacji	366

7.18	Resetowanie hasła aplikacji (tylko WiFi)	366
7.19	Przywracanie ustawień fabrycznych	366
7.20	Gniazdo USB do zasilania elektrycznego.	366
7.21	Odszranianie lodówki	367
7.22	Wymiana bezpiecznika prądu przemiennego	367
7.23	Wymiana bezpiecznika prądu stałego	367
7.24	Wymiana bezpiecznika wtyku prądu stałego.	368
7.25	Wymiana płytki drukowanej oświetlenia	368
8	Czyszczenie i konserwacja	368
9	Usuwanie usterek	369
10	Gwarancja	373
11	Utylizacja	373
12	Dane techniczne	374

1 Objąśnienie symboli



NIEBEZPIECZEŃSTWO!

Wskazówka bezpieczeństwa: Wskazuje niebezpieczną sytuację, która – jeśli się jej nie uniknie – prowadzi do śmierci lub poważnych obrażeń.



OSTRZEŻENIE!

Wskazówka bezpieczeństwa: Wskazuje niebezpieczną sytuację, która – jeśli się jej nie uniknie – może prowadzić do śmierci lub poważnych obrażeń.



OSTROŻNIE!

Wskazówka bezpieczeństwa: Wskazuje niebezpieczną sytuację, która – jeśli się jej nie uniknie – może prowadzić do lekkich lub umiarkowanych obrażeń.



UWAGA!

Wskazuje sytuację, która – jeśli się jej nie uniknie – może prowadzić do powstania szkód materialnych.

**WSKAZÓWKA**

Dodatkowe informacje dotyczące obsługi produktu.

2 Wskazówki bezpieczeństwa



NIEBEZPIECZEŃSTWO! Nieprzestrzeganie tych ostrzeżeń prowadzi do śmierci lub ciężkich obrażeń.

Ryzyko porażenia prądem

- Na łodziach: W przypadku zasilania sieciowego należy bezwzględnie pamiętać o zabezpieczeniu zasilania za pomocą bezpiecznika różnicowoprądowego.
- Nigdy nie chwycać gołymi rękami nieosłoniętych przewodów. Dotyczy to przede wszystkim zasilania z sieci prądu przemiennego (AC).
- Przed uruchomieniem urządzenia należy sprawdzić, czy przewód zasilający i wtyczka są suche.



OSTRZEŻENIE! Nieprzestrzeganie tych ostrzeżeń może prowadzić do śmierci lub ciężkich obrażeń.

Ryzyko porażenia prądem

- Nie używać urządzenia chłodniczego, jeśli ma ono widoczne uszkodzenia.
- Jeśli kabel zasilający tego urządzenia chłodniczego jest uszkodzony, należy go ze względów bezpieczeństwa wymienić.
- Napraw urządzenia chłodniczego mogą dokonywać tylko odpowiednio wykwalifikowane osoby. Nieodpowiednio wykonane naprawy mogą być przyczyną znacznych zagrożeń.
- Urządzenie podłączać do gniazdek zapewniających odpowiednie przyłącze, zwłaszcza jeżeli wymaga ono uziemienia.

Ryzyko pożaru

- Podczas ustawiania urządzenia należy uważać, aby nie przysięść ani nie uszkodzić przewodu zasilającego.
- Nie umieszczać z tyłu urządzenia rozgałęziaczy ani zasilaczy.
- Otwory wentylacyjne w obudowie urządzenia lub w konstrukcji montażowej nie mogą być zasłonięte.
- Do przyspieszania procesu odszraniania nie używać żadnych mechanicznych przedmiotów ani innych środków, o ile nie zaleca ich do tego celu producent urządzenia.
- Nie uszkodzić obiegu chłodniczego.

Zagrożenie zdrowia

- Dzieci od 8 lat i osoby o ograniczonych możliwościach fizycznych, sensorycznych lub intelektualnych oraz osoby niedysponujące stosowną wiedzą i doświadczeniem mogą używać tego urządzenia jedynie pod nadzorem innej osoby bądź pod warunkiem uzyskania informacji dotyczących bezpiecznego użytkowania urządzenia i zrozumienia wynikających z tego zagrożeń.
- Dzieci nie mogą bawić się urządzeniem.
- Dzieci nie mogą czyścić i konserwować urządzenia bez nadzoru.
- Dzieci od 3 do 8 lat mogą umieszczać produkty w urządzeniach chłodniczych i wyjmować je z nich.

Ryzyko wybuchu

- W urządzeniu chłodniczym nie wolno przechowywać substancji wybuchowych, np. sprayów z palnym gazem wyłaczającym.



OSTROŻNIE! Nieprzestrzeganie tych uwag może prowadzić do lekkich lub umiarkowanych obrażeń.

Ryzyko porażenia prądem

- Urządzenie chłodnicze należy odłączać od zasilania:
 - za każdym razem przed czyszczeniem i konserwacją,
 - po każdym użyciu.

Zagrożenie zdrowia

Aby zapobiec skażeniu żywności, należy przestrzegać poniższych instrukcji:

- Należy sprawdzić, czy zakres temperatur chłodzenia urządzenia jest wystarczający do przechowywania żywności lub leków, które mają być w nim umieszczone.
- Artykuły spożywcze mogą być przechowywane tylko w oryginalnych opakowaniach lub w odpowiednich pojemnikach.
- Pozostawianie drzwi urządzenia chłodniczego otwartych przez dłuższy czas może spowodować znaczny wzrost temperatury w jego komorach.
- Regularnie czyścić powierzchnie, które mogą mieć kontakt z żywnością i dostępnymi układami odprowadzania wody.

- Jeśli urządzenie pozostaje puste przez długi czas:
 - Wyłączyć urządzenie.
 - Odmrozić urządzenie.
 - Oczyszczyć i osuszyć urządzenie.
 - Pozostawić wieko otwarte, aby w urządzeniu nie tworzyła się pleśń.



UWAGA! Ryzyko uszkodzenia

- Należy porównać dane dotyczące napięcia na tabliczce znamionowej z dostępnym źródłem zasilania.
- Urządzenie chłodnicze można podłączać tylko:
 - kablem przyłączeniowym prądu stałego do zasilania prądem stałym pojazdu,
 - lub kablem przyłączeniowym prądu przemiennego do gniazda prądu przemiennego.
- Wtyczki nie wolno nigdy wyciągać z gniazda, ciągnąc za kabel.
- Jeśli urządzenie chłodnicze jest podłączone do gniazda prądu stałego, przed podłączeniem szybkiej ładowarki należy odłączyć od akumulatora urządzenie chłodnicze oraz inne odbiorniki energii elektrycznej.
- Jeśli urządzenie chłodnicze jest podłączone do gniazda prądu stałego, wyłączając silnik, należy odłączyć urządzenie chłodnicze lub je wyłączyć. W przeciwnym razie akumulator pojazdu może się rozładować.
- Urządzenie chłodnicze nie nadaje się do transportu substancji żrących lub zawierających rozpuszczalniki.
- Izolacja tego urządzenia chłodniczego zawiera palny cyklopentan, przez co wymaga ono specjalnej procedury utylizacyjnej. Po zaprzestaniu jego dalszej eksploatacji urządzenie chłodnicze należy dostarczyć do specjalistycznego zakładu utylizacyjnego.
- Wewnątrz urządzenia chłodniczego nie można używać żadnych urządzeń elektrycznych, za wyjątkiem urządzeń zalecanych przez producenta.
- Nie ustawiać urządzenia chłodniczego w pobliżu otwartego ognia ani innych źródeł ciepła (ogrzewanie, bezpośrednie promieniowanie słoneczne, piece gazowe itp.).

- **Ryzyko przegrzania!**

Należy zawsze zapewniać minimum 50 mm przestrzeni do wentylacji ze wszystkich czterech stron urządzenia chłodniczego. W przestrzeni tej nie mogą znajdować się żadne przedmioty ograniczające dopływ powietrza do chłodzonych elementów.

Nie umieszczają urządzenia chłodniczego w zamkniętych przestrzeniach ani w miejscach całkowicie lub prawie całkowicie pozbawionych dopływu powietrza.

- Uważać, aby nie zakrywać otworów wentylacyjnych.
- Nie wypełniać wewnętrznego pojemnika cieczami lub lodem.
- Nigdy nie zanurzać urządzenia chłodniczego w wodzie.
- Chronić urządzenie chłodnicze i jego kable przed wysokimi temperaturami i wilgocią.
- Urządzenia nie wolno narażać na działanie deszczu.

3 W zestawie

Pozycja na rys. 1 , strona 3	Ilość	Opis
1	1	Lodówka przenośna
2	1	Przewód przyłączeniowy do gniazda prądu stałego
3	1	Kabel przyłączeniowy do gniazda prądu przemiennego

4 Osprzęt

Dostępne jako osprzęt (niedostarczane w zestawie):

Oznaczenie	Nr katalogowy	Model
Ośłona		
CFX3 25PC	9600028749	CFX3 25
CFX3 35PC	9600028455	CFX3 35
CFX3 45PC	9600028456	CFX3 45
CFX3 55PC	9600028457	CFX3 55
		CFX3 55IM

Oznaczenie	Nr katalogowy	Model
CFX3 75PC	9600028458	CFX3 75DZ
CFX3 95PC	9600028459	CFX3 95DZ
CFX3 100PC	9600028460	CFX3 100
Prowadnica lodówki		
CFX3 SLD3545	9600028548	CFX3 35
		CFX3 45
CFX3 SLD55	9600028549	CFX3 55
		CFX3 55IM
CFX3 SLD75	9600028550	CFX3 75DZ
CFX3 SLD95100	9600028551	CFX3 95DZ
		CFX3 100
Aplikacja CFX3	–	do wszystkich modeli
PLB 40	9600012878	do wszystkich modeli

Uwaga: aplikacja CFX3 może być niedostępna w niektórych krajach.

5 Użytkowanie zgodne z przeznaczeniem

Lodówka turystyczna jest przeznaczona do chłodzenia artykułów spożywczych. Lodówka turystyczna nadaje się również do zastosowania w pojazdach. Lodówka turystyczna jest przeznaczona do zasilania z gniazda prądu stałego pojazdu, bądź też z sieci prądu przemiennego.

Lodówka jest przystosowana do wykorzystywania na campingach.

Lodówka jest przeznaczona do użytku domowego i podobnych zastosowań, w obszarach takich jak:

- W kuchniach dla personelu w sklepach, biurach i innych miejscach pracy
- W gospodarstwach rolnych
- Do użytku przez gości w hotelach, motelach i innych rodzajach zakwaterowania
- W pensjonatach i na kwaterach prywatnych
- W cateringu i podobnych zastosowaniach niedetalicznych

Lodówka turystyczna **nie** nadaje się do:

- Przechowywania substancji o właściwościach korozyjnych, żrących oraz substancji zawierających rozpuszczalniki

Lodówka turystyczna jest przystosowana wyłącznie do wykorzystywania zgodnie z jej przeznaczeniem oraz zamierzonym zastosowaniem według niniejszej instrukcji.

Niniejsza instrukcja zawiera informacje, które są niezbędne do prawidłowego montażu i/lub obsługi lodówki turystycznej. Nieprawidłowy montaż i/lub niewłaściwa obsługa lub konserwacja powodują niezadowalające rezultaty i mogą prowadzić do uszkodzeń.

Producent nie ponosi żadnej odpowiedzialności za ewentualne obrażenia lub uszkodzenia produktu wynikłe z następujących przyczyn:

- Nieprawidłowy montaż lub podłączenie, w tym zbyt wysokie napięcie
- Niewłaściwa konserwacja lub użycie innych części zamiennych niż oryginalne części zamienne dostarczone przez producenta
- Wprowadzanie zmian w produkcie bez wyraźnej zgody producenta
- Użytkowanie w celach innych niż opisane w niniejszej instrukcji obsługi

Firma Dometic zastrzega sobie prawo do zmiany wyglądu i specyfikacji produktu.

6 Opis działania

Chłodzenie odbywa się za pomocą kompresorowego obiegu chłodniczego o niskich wymaganiach w zakresie konserwacji. Skuteczna izolacja i wydajny kompresor zapewniają efektywne i szybkie chłodzenie.

Jest to lodówka przenośna.

Lodówka jest przystosowana do pracy przy krótkotrwałych nachyleniach do 30°.

6.1 Zakres funkcji

- Zasilacz z układem wyboru priorytetu zasilania sieciowego do podłączania do zasilania prądem przemiennym
- Trzy poziomowy układ monitorowania stanu akumulatora chroniący akumulator pojazdu
- Ekran wyświetlający temperaturę w °C oraz °F
- Regulacja temperatury krokowo co 1°C (1°F)
- Zintegrowane funkcje WiFi i Bluetooth, dzięki czemu lodówką można sterować za pomocą aplikacji

- Rozkładane uchwyty do przenoszenia
- Ładowarka USB do urządzeń przenośnych, takich jak telefony komórkowe
- Wyjmowany kosz
- **Tylko CFX3 55IM:** Lodownik

6.2 Elementy obsługowe i wskaźniki

Blokada pokrywy: rys. 2 1, strona 3

Panel do obsługi (rys. 3 , strona 4)

Pozycja	Opis	Objaśnienie
1		Włącza lodówkę po krótkim naciśnięciu przycisku Wyłącza lodówkę po przytrzymaniu przycisku przez trzy sekundy Wraca do poprzedniego menu
2	Wyświetlacz	<p>Przedstawia informacje</p> <p>AC : Podłączono zasilanie prądem przemiennym</p> <p>DCV: Podłączono zasilanie prądem stałym</p> <p> : Włączono funkcję Bluetooth</p> <p> : Włączono funkcję WiFi</p> <p> : Wyświetlacz zablokowany</p> <p>● : Pracuje sprężarka</p> <p>■ : Kostkarka do lodu pracuje (tylko CFX3 55IM)</p>
3		<p>Nacisnąć , aby przejść wyżej lub zwiększyć wybraną wartość.</p> <p>Nacisnąć , aby przejść niżej lub zmniejszyć wybraną wartość.</p> <p>Nacisnąć  i  jednocześnie przez 3 s aby zablokować lub odblokować wyświetlacz.</p>
4		Nacisnąć, aby wybrać menu lub zapisać wybraną wartość.

Gniazda przyłączeniowe (rys. 4, strona 4)

Pozycja	Opis
1	Gniazdo przyłączeniowe zasilania napięciem przemiennym
2	Gniazdo przyłączeniowe zasilania napięciem stałym
3	Gniazdo bezpiecznika prądu stałego
4	Gniazdo bezpiecznika

7 Eksploatacja

Aby zapobiec psuciu się żywności:

- Zapewnić jak najbardziej stabilną temperaturę. Urządzenie chłodnicze otwierać tylko tak często i na tak długo, jak jest to konieczne. Żywność przechowywać w sposób nieutrudniający obiegu powietrza.
- Dostosować temperaturę do ilości i typu żywności.
- Żywność może przenikać zapachami i smakami innych artykułów. Żywność zawsze przechowywać pod przykryciem lub w zamkniętych pojemnikach/butelkach.

7.1 Przed pierwszym użyciem



WSKAZÓWKA

Ze względów higienicznych przed uruchomieniem nowej lodówki należy wyczyścić ją od wewnątrz i z zewnątrz wilgotną szmatką (patrz również rozdz. „Czyszczenie i konserwacja” na stronie 368).

7.2 Oszczędzanie energii

- Wybrać miejsce z dobrą wentylacją, chronione przed promieniami słonecznymi.
- Ciepłe potrawy pozostawić do przestygnięcia przed włożeniem ich do urządzenia chłodniczego w celu utrzymywania ich w niskiej temperaturze.
- Nie otwierać lodówki częściej, niż jest to konieczne.
- Nie pozostawiać otwartych drzwi na dłużej, niż jest to konieczne.
- Jeśli lodówka jest wyposażona w koszyk: W celu zapewnienia optymalnego zużycia energii koszyk ustawiać w położeniu, w którym został on dostarczony.
- Regularnie sprawdzać osadzenie uszczelnienia pokrywy.

7.3 Odwracanie kierunku otwierania wieka

CFX3 55, CFX3 55IM, CFX3 100

- ▶ Postępować w zilustrowany sposób (rys. **5**, strona 5).

CFX3 75DZ, CFX3 95DZ

- ▶ Postępować w zilustrowany sposób (rys. **6**, strona 6).

7.4 Podłączanie lodówki



UWAGA! Ryzyko uszkodzenia

- W celu ochrony urządzenia dostarczony wraz z nim kabel do zasilania prądem stałym wyposażony jest we wtyk z bezpiecznikiem. **Nie** należy usuwać wtyku zasilania prądem stałym z bezpiecznikiem.
Należy używać wyłącznie dostarczonego kabla zasilania prądem stałym.
- Przed ładowaniem akumulatora za pomocą szybkiej ładowarki należy odłączyć od niego lodówkę oraz inne odbiorniki energii elektrycznej.
Przebiecia mogą uszkodzić elektronikę urządzenia.

Podłączanie do akumulatora

- ▶ Postępować w zilustrowany sposób (rys. **7**, strona 7).

Podłączanie za pomocą przedłużonego, stałego okablowania prądu stałego (tylko CFX3 100)

- ▶ Postępować w zilustrowany sposób (rys. **8**, strona 8).

Podłączanie do zasilania prądem przemiennym



NIEBEZPIECZEŃSTWO! Ryzyko porażenia prądem

- Nie dotykać wtyczek ani wyłączników wilgotnymi rękami lub stojąc na mokrej powierzchni.
- W przypadku korzystania z lodówki na pokładzie statku i zasilania jej z lądowej sieci prądu przemiennego pomiędzy siecią prądu przemiennego a lodówką należy zainstalować wyłącznik różnicowoprądowy.
Należy zasięgnąć porady odpowiednio przeszkolonego technika.

- ▶ Postępować w zilustrowany sposób (rys. **9**, strona 9).

7.5 Korzystanie z lodówki



UWAGA! Ryzyko przegrzania

Należy zawsze zapewniać dostateczną wentylację, aby umożliwić rozpraszanie wytwarzanego podczas pracy ciepła. Nie zakrywać otworów wentylacyjnych. Dbać o odpowiednią odległość urządzenia od ścian lub przedmiotów, zapewniając wystarczającą cyrkulację powietrza.



WSKAZÓWKA

W przypadku zasilania z akumulatora wyświetlacz automatycznie wyłączy się, jeżeli napięcie akumulatora jest niskie.

- Włączanie lodówki: rys. **10**, strona 9
- Wyłączanie lodówki: rys. **11**, strona 10

7.6 Korzystanie z wyświetlacza

Stany wyświetlacza (rys. **12**, strona 10)

Pozycja	Opis
A	Gotowość do pracy
B	Stan bez obciążenia
C	Zablokowany

Przegląd wyświetlacza: rys. **13**, strona 11

Nawigacja w menu

Wyróżnione menu jest wybrane.

- ▶ Nacisnąć , aby przejść wyżej.
- ▶ Nacisnąć , aby przejść niżej.

Wybór menu

- ▶ Nacisnąć , aby wybrać żądane menu.

Zmiana ustawień wentylatora

Wybrana jest wyróżniona wartość lub ustawienie.

- ▶ Nacisnąć \triangle , aby zwiększyć wybraną wartość lub wybrać poprzednie ustawienie.
- ▶ Nacisnąć ∇ , aby zmniejszyć wybraną wartość lub wybrać następne ustawienie.

Powrót do poprzedniego menu

- ▶ Nacisnąć \leftarrow , aby wrócić do poprzedniego menu.

7.7 Blokowanie i odblokowywanie wyświetlacza

- ▶ Nacisnąć \triangle i ∇ jednocześnie przez 3 s aby zablokować lub odblokować wyświetlacz (rys. 14, strona 11).

7.8 Wybór jednostki temperatury

- ▶ Postępować w zilustrowany sposób (rys. 15, strona 11).

7.9 Ustawianie temperatury



UWAGA! Ryzyko uszkodzenia przez zbyt niską temperaturę

Należy uważać, aby w lodówce znajdowały się tylko rzeczy lub produkty, które mogą być chłodzone do wybranej temperatury.

- ▶ Postępować w zilustrowany sposób (rys. 16, strona 12).

7.10 Korzystanie z zabezpieczenia akumulatora

Urządzenie jest wyposażone w 3-stopniowe zabezpieczenie akumulatora. Zabezpieczenie akumulatora zapobiega nadmiernemu rozładowaniu, gdy urządzenie jest podłączone do akumulatora rozruchowego pojazdu lub maksymalizuje wykorzystanie akumulatora zasilającego.

Jeżeli lodówka jest używana przy wyłączonym zapłonie w pojeździe, automatycznie wyłącza się ona, gdy napięcie spadnie poniżej ustawionej wartości. Lodówka włącza się ponownie po naładowaniu akumulatora i osiągnięciu napięcia ponownego włączenia.



UWAGA! Ryzyko uszkodzenia

Jeśli urządzenie zostanie wyłączone przez układ ochrony akumulatora, oznacza to, że akumulator nie jest już w pełni naładowany. Unikać wielokrotnego uruchamiania. Należy pamiętać o ponownym naładowaniu akumulatora.



WSKAZÓWKA

Jeżeli lodówka jest zasilana z akumulatora rozruchowego, należy wybrać tryb układu monitorowania stanu akumulatora „MEDIUM” lub „HIGH”. Jeżeli lodówka jest podłączona do akumulatora pokładowego, wystarczający jest tryb układu ochrony stanu akumulatora „LOW”.

- ▶ Postępować w zilustrowany sposób (rys. **17**, strona 13).

7.11 Ustawianie jasności wyświetlacza

- ▶ Postępować w zilustrowany sposób (rys. **18**, strona 13).

7.12 Włączanie lub wyłączanie komór (tylko CFX 3 75DZ, CFX 3 95DZ)

Każdą strefę można aktywować indywidualnie lub można włączyć obie strefy.

- ▶ Postępować w zilustrowany sposób (rys. **19**, strona 14).

7.13 Korzystanie z lodownika (tylko CFX 3 55IM)



WSKAZÓWKA

- Niezależnie od ustawienia temperatury w komorze głównej, strefa lodownika jest przeznaczona do wytwarzania kostek lodu, jeśli lodownik jest włączony.
- Zużycie energii przez lodówkę wzrasta przy włączonym lodowniku. Dlatego należy wyłączać lodownik, jeśli nie jest potrzebny.
- Fabryczne ustawienie lodownika to stan WYŁĄCZONY.

- ▶ Postępować w zilustrowany sposób (rys. **20**, strona 14).

Napełnianie tacek na lód wodą

- ▶ Wyjąć tacki na lód (rys. **21** 1, strona 15) z obudowy lodownika (rys. **21** 2, strona 15).

- ▶ Zdjąć pokrywy tacek na lód, napełnić czystą wodą i ponownie założyć pokrywy, zwracając uwagę na to, aby uszczelka krawędziowa była dociśnięta dookoła.
- ▶ Ponownie umieścić tacki na lód w obudowie lodownika i zamknąć wieko.

**WSKAZÓWKA**

Usunąć rozlaną wodę, która dostała się pod spód tacek. Pozwoli to ograniczyć odkładanie się lodu pod tacami i ułatwi ich wyjmowanie.

Wymowanie kostek lodu

- ▶ Otworzyć wieko obudowy wytwornicy lodu i chwycić przednią część tacek na lód.

**WSKAZÓWKA**

Usuwanie może wymagać użycia dodatkowej siły przy użyciu dwóch rąk w warunkach wysokiej wilgotności, która może powodować powstawanie lodu pod tacami na lód.

- ▶ Zdjąć pokrywy tacek i wyginać tacki, aby wydobyć z nich kostki lodu.

Wymowanie obudowy lodownika

Obudowę lodownika można demontować w celu czyszczenia lub gdy nie jest używana, aby zwiększyć przestrzeń użytkową wewnątrz lodówki:

- ▶ Podnieść obudowę na jednym końcu, aż zaczep się odłączy, a następnie wyjąć ją.
- ▶ Wykonać czynności w odwrotnej kolejności, naciskając zaczepy, aby zaskoczyły na swoje miejsca.

Wskazówki dotyczące korzystania z lodownika

- Lodownik wytwarza lód szybko przez kilka godzin po włączeniu, a następnie automatycznie przechodzi w tryb utrzymania lodu w celu zmniejszenia zużycia energii. Jeśli potrzebnych jest kilka partii lodu tak szybko, jak to możliwe, wyłączenie i ponowne włączenie lodownika spowoduje powrót do trybu szybkiego wytwarzania lodu. Powtórzyć czynności odpowiednio do potrzeb.
- Przy włączonej kostkarce do lodu utrzymanie niskich ustawień temperatury zamrażarki w komorze głównej w warunkach wysokiej temperatury otoczenia może nie być możliwe.

Czyszczenie i osuszanie lodownika

- ▶ Gdy lodownik nie jest używany, oczyścić i osuszyć tacki na lód oraz wnętrze lodownika, aby zapobiec powstawaniu pleśni.
- ▶ Po dłuższym okresie nieużywania przemyć wnętrze tacek na lód za pomocą łagodnego roztworu płynu do mycia naczyń i spłukać czystą wodą przed użyciem.

7.14 Pobieranie aplikacji CFX 3

Lodówkę można monitorować i sterować nią przez Bluetooth lub WiFi, używając aplikacji, którą można zainstalować na kompatybilnym urządzeniu.

- ▶ Aplikację CFX3 można pobrać z App Store lub Google Play:



Uwaga: aplikacja CFX3 może być niedostępna w niektórych krajach.

7.15 Konfiguracja sygnału Bluetooth i łączenie się z aplikacją

Lodówkę można monitorować i sterować nią za pośrednictwem łączności Bluetooth. W tym celu należy sparować lodówkę z urządzeniem obsługującym Bluetooth.



WSKAZÓWKA

- Parowanie należy wykonać z poziomu aplikacji CFX3, a nie w ustawieniach urządzenia.
- Do połączenia Bluetooth nie jest wymagane hasło.

- ▶ Postępować w zilustrowany sposób (rys. 22, strona 15).

7.16 Konfiguracja sygnału WiFi i łączenie się z aplikacją

Lodówkę można monitorować i sterować nią przez bezpośrednie połączenie WiFi z lodówką lub przez sieć WiFi.

- ▶ Postępować w zilustrowany sposób (rys. 23, strona 16), aby włączyć WiFi.

- ▶ Aby nawiązać bezpośrednie połączenie WiFi, należy przejść do ustawień urządzenia i wybrać lodówkę.
 - Nazwa WiFi lodówki zaczyna się od „CFX3”.
 - Ustawione domyślnie hasło brzmi „**00000000**”.
 - Nazwę WiFi i hasło można spersonalizować w aplikacji CFX3.



WSKAZÓWKA

Aby połączyć się przez sieć WiFi, należy przejść do opcji połączenia sieciowego w USTAWIENIACH aplikacji.

7.17 Zmiana nazwy CFX i hasła w aplikacji

- Nazwę urządzenia CFX można spersonalizować w aplikacji.
 - Ta sama dotyczy zarówno łączności Bluetooth, jak i WiFi.
 - W aplikacji można również spersonalizować hasło, które dotyczy tylko WiFi.
- ▶ Należy przejść do opcji „Nazwa CFX i hasło” w USTAWIENIACH aplikacji.

7.18 Resetowanie hasła aplikacji (tylko WiFi)

Hasło aplikacji można zresetować do ustawienia fabrycznego „**00000000**”.

- ▶ Postępować w zilustrowany sposób (rys. **23**, strona 16).

7.19 Przywracanie ustawień fabrycznych

Funkcja resetowania zmienia wszystkie menu wyświetlacza i pola aplikacji na oryginalne ustawienia fabryczne.

- ▶ Postępować w zilustrowany sposób (rys. **24**, strona 16).

7.20 Gniazdo USB do zasilania elektrycznego

Przyłącze USB można wykorzystywać w celu ładowania małych urządzeń (np. telefonów komórkowych lub odtwarzaczy mp3).



WSKAZÓWKA

Należy się upewnić, że małe urządzenie podłączone do przyłącza USB nadaje się do zasilania 5 V/2 A.

- ▶ Postępować w zilustrowany sposób (rys. **26**, strona 17).

7.21 Odszranianie lodówki

Wilgoć może się osadzać na parowniku lub wewnątrz lodówki w postaci szronu. Powoduje to zmniejszenie wydajności chłodzenia. Należy wówczas w odpowiednim czasie odszronić urządzenie.



UWAGA! Ryzyko uszkodzenia

Do usuwania warstw lodu lub oddzielania przymarzniętej żywności nigdy nie używać twardych lub ostro zakończonych narzędzi.

Aby odszronić lodówkę, należy postępować w następujący sposób:

- ▶ Opróżnić lodówkę.
- ▶ W razie potrzeby umieścić zawartość w innym urządzeniu chłodniczym w celu utrzymania jej w odpowiedniej temperaturze.
- ▶ Wyłączyć urządzenie.
- ▶ Pozostawić otwartą pokrywę.
- ▶ Zetrzeć wodę z roztopionego lodu.

7.22 Wymiana bezpiecznika prądu przemiennego



NIEBEZPIECZEŃSTWO! Ryzyko porażenia prądem

Przed wymianą bezpiecznika urządzenia należy odłączyć zasilanie i kabel przyłączeniowy.

- ▶ Odłączyć urządzenie od zasilania.
- ▶ Odłączyć przewód przyłączeniowy.
- ▶ Podważyć wkładkę bezpiecznikową (rys. 4 4, strona 4) wkrętakiem.
- ▶ Wymienić uszkodzony szklany bezpiecznik na nowy takiego samego typu i o takich samych parametrach (szybki, 4 A, 250 V).
- ▶ Z powrotem włożyć wkładkę bezpiecznikową do obudowy.
- ▶ Ponownie podłączyć urządzenie do zasilania.

7.23 Wymiana bezpiecznika prądu stałego

- ▶ Podważyć wkładkę bezpiecznikową (rys. 4 3, strona 4) wkrętakiem.
- ▶ Cofnąć osłonę bezpieczników i użyć haczyka, aby wymontować uszkodzony bezpiecznik szklany.

- ▶ Włożyć nowy bezpiecznik o takich samych parametrach i takiego samego typu.
- ▶ Z powrotem założyć osłonę bezpieczników.

7.24 Wymiana bezpiecznika wtyku prądu stałego

- ▶ Zastąpić wadliwy bezpiecznik nowym bezpiecznikiem tego samego typu i o takich samych parametrach.
- ▶ Postępować w zilustrowany sposób (rys. **27**, strona 17).

7.25 Wymiana płytki drukowanej oświetlenia



UWAGA! Ryzyko uszkodzenia

Aby uniknąć zagrożenia, wymianę lampki zlecać wyłącznie producentowi, w centrum serwisowym lub odpowiednio wykwalifikowanej osobie.

8 Czyszczenie i konserwacja



UWAGA! Ryzyko uszkodzenia

- Urządzenia nie wolno nigdy czyścić pod bieżącą wodą ani umieszczać w wodzie.
 - Do czyszczenia nie używać agresywnych środków czyszczących ani twardych przedmiotów, gdyż mogą one uszkodzić urządzenie chłodnicze.
- ▶ Urządzenie chłodnicze należy od czasu do czasu czyścić od wewnątrz i z zewnątrz wilgotną ściereczką.
 - ▶ Upewnić się, że otwory wlotowe i wylotowe powietrza urządzenia nie są zabrudzone ani zakurzone, aby umożliwić odprowadzanie ciepła i uniknąć uszkodzenia urządzenia.

9 Usuwanie usterek

Usterka	Możliwa przyczyna	Proponowane rozwiązanie
Urządzenie nie działa (tryb prądu stałego, zapłon włączony).	W gnieździe zasilającym prądu stałego nie wykryto napięcia.	W większości pojazdów zapłon musi być włączony, aby do gniazda zasilającego prądu stałego dostarczane było napięcie.
	Gniazdo prądu stałego jest zabrudzone. Unie-możliwia to prawidłowe przewodzenie prądu w złączu.	Jeśli wtyk urządzenia bardzo nagrzewa się w gnieździe prądu stałego, oznacza to, że należy wyczyścić gniazdo prądu stałego albo że wtyk nie został prawidłowo złożony.
	Bezpiecznik wtyku prądu stałego przepalił się.	Wymienić bezpiecznik we wtyku prądu stałego, patrz rozdz. „Wymiana bezpiecznika prądu stałego” na stronie 367.
	Bezpiecznik prądu stałego urządzenia przepalił się.	Wymienić bezpiecznik prądu stałego urządzenia, patrz rozdz. „Wymiana bezpiecznika prądu stałego” na stronie 367.
Urządzenie nie działa (tryb prądu zmiennego).	Bezpiecznik pojazdu przepalił się.	Wymienić bezpiecznik w gnieździe prądu stałego pojazdu. Patrz instrukcja obsługi pojazdu.
	W gnieździe prądu przemiennego nie ma napięcia.	Spróbować podłączyć urządzenie do innego gniazda.
	Bezpiecznik prądu przemiennego urządzenia przepalił się.	Wymienić bezpiecznik prądu przemiennego urządzenia, patrz rozdz. „Wymiana bezpiecznika prądu przemiennego” na stronie 367.
Wyświetlacz nie reaguje na naciśnięcia klawiszy.	Zintegrowany zasilacz prądu zmiennego jest uszkodzony.	Naprawy może dokonać tylko autoryzowany zakład serwisowy.
	Wyświetlacz jest zablokowany.	Odblokować wyświetlacz, patrz rozdz. „Blokowanie i odblokowywanie wyświetlacza” na stronie 362.

Usterka	Możliwa przyczyna	Proponowane rozwiązanie
Aplikacja nie może sterować urządzeniem.	Nie nawiązano połączenia Bluetooth ani WiFi.	Nawiązać połączenie Bluetooth, patrz rozdz. „Konfiguracja sygnału Bluetooth i łączenie się z aplikacją” na stronie 365, lub nawiązać połączenie WiFi, patrz rozdz. „Konfiguracja sygnału WiFi i łączenie się z aplikacją” na stronie 365.
Na wyświetlaczu pojawia się komunikat alarmowy lub kod ostrzegawczy.	–	Zob. poniższą tabelę.

Komunikaty alarmowe

Np. zob. rys. 25 A, strona 16.

Komunikat alarmowy	Opis	Możliwa przyczyna	Proponowane rozwiązanie
!ALERT - Wieko otwarte > 3 min	Wieko otwarte przez ponad 3 minuty	<ul style="list-style-type: none"> • Wieko nie jest w pełni domknięte • Usterka wewnętrzna 	<ul style="list-style-type: none"> • Sprawdzić czy wieko jest w pełni domknięte • Wymagana kontrola przez autoryzowany zakład serwisowy

Komunikat alarmowy	Opis	Możliwa przyczyna	Proponowane rozwiązanie
!ALERT - Niskie napięcie	Urządzenie przestało korzystać z prądu stałego z powodu niskiego napięcia	<ul style="list-style-type: none"> Niewystarczające napięcie zasilające Za niskie napięcie akumulatora Wybrano zbyt wysokie ustawienie układu ochrony akumulatora 	<ul style="list-style-type: none"> Sprawdzić spadek napięcia z akumulatora do gniazdka i w razie potrzeby zwiększyć przekrój przewodów Sprawdzić akumulator i w razie potrzeby naładować go Wybrać niższe ustawienie układu ochrony stanu akumulatora
	Urządzenie przestało pracować z zasilaniem prądem stałym z powodu przekroczenia normalnego poziomu napięcia >31,5 V (mało prawdopodobne zdarzenie – tylko w celu ochrony układu elektronicznego – wykorzystywany jest ten sam komunikat alarmowy co w przypadku niskiego napięcia powyżej)	<ul style="list-style-type: none"> Nieprawidłowa specyfikacja napięcia zasilania prądem stałym Nieprawidłowe napięcie zasilania Usterka wewnętrzna 	<ul style="list-style-type: none"> Upewnić się, że specyfikacja napięcia zasilania prądem stałym jest zgodna z tabliczką znamionową CFX3 Sprawdzić zasilanie napięciem stałym i naprawić je lub wymienić w razie uszkodzenia Wymagana kontrola przez autoryzowany zakład serwisowy

Kody ostrzegawcze

Np. zob. rys. **25** B, strona 16.

Kod ostrzegawczy	Usterka	Możliwa przyczyna	Proponowane rozwiązanie
!WARNING 32	Przekroczenie prądu wentylatora	Usterka wewnętrzna.	Wyłączyć urządzenie na co najmniej 5 minut, a następnie uruchomić je ponownie. Jeśli problem nie ustępuje, wymagana jest kontrola przez autoryzowany zakład serwisowy
!WARNING 33	Niepowodzenie uruchomienia kompresora		
!WARNING 34	Niska prędkość kompresora	<ul style="list-style-type: none"> • Wysoka temperatura otoczenia 	<ul style="list-style-type: none"> • Wyłączyć urządzenie na co najmniej 30 minut lub przenieść je w chłodniejsze miejsce, następnie uruchomić ponownie
!WARNING 35	Przekroczenie temperatury regulatora	<ul style="list-style-type: none"> • Zablockowany otwór wentylacyjny lub niewystarczający odstęp • Usterka wewnętrzna 	<ul style="list-style-type: none"> • Wymagana kontrola przez autoryzowany zakład serwisowy
!WARNING 01	Otwarty obwód NTC; SZ i DZ WYSOKIE	Usterka wewnętrzna	Wymagana kontrola przez autoryzowany zakład serwisowy
!WARNING 11	Otwarty obwód NTC; DZ NISKIE		
!WARNING 02	Zwarcie NTC; SZ i DZ WYSOKIE		
!WARNING 12	Zwarcie NTC; DZ NISKIE		
!WARNING 09	Zawór DZ lub zawór lodownika uszkodzony		Wyłączyć urządzenie na co najmniej 1 minutę, a następnie uruchomić je ponownie. Jeśli problem nie ustępuje, wymagana jest kontrola przez autoryzowany zakład serwisowy
!WARNING 03/43	Błąd komunikacji		

10 Gwarancja

Obowiązuje ustawowy okres gwarancji. W przypadku stwierdzenia uszkodzenia produktu, należy zgłosić się do jego sprzedawcy lub oddziału producenta w danym kraju (patrz dometic.com/dealer).

W celu naprawy lub realizacji gwarancji konieczne jest przesłanie wraz z produktem następujących dokumentów:

- Kopii rachunku z datą zakupu
- Informacja o przyczynie reklamacji lub opis wady

11 Utylizacja



OSTRZEŻENIE! Ryzyko zamknięcia się dziecka w urządzeniu

Przed utylizacją starego urządzenia chłodniczego należy:

- Zdemontować klapę.
- Pozostawić kosze w lodówce, aby dzieci nie mogły w łatwy sposób wejść do środka.

Recykling materiałów opakowaniowych



- Opakowanie należy wyrzucić do odpowiedniego pojemnika na odpady do recyklingu.

Recykling produktów z niewymiennymi bateriami, akumulatorami lub źródłami światła



- Jeśli produkt zawiera niewymienne baterie, akumulatory lub źródła światła, nie trzeba ich usuwać przed utylizacją.



- Jeśli produkt nie będzie już dalej wykorzystywany, należy dowiedzieć się w najbliższym zakładzie recyklingu lub od specjalistycznego przedstawiciela producenta, w jaki sposób można zutylizować produkt zgodnie z obowiązującymi przepisami.



- Produkt można zutylizować nieodpłatnie.

12 Dane techniczne



WSKAZÓWKA

Minimalnej temperatury podanej w punkcie „Zakres temperatur chłodzenia” nie można osiągnąć, jeśli temperatura otoczenia przekracza 32 °C (90 °F) w przypadku modeli CFX3 25/35/45/55/55IM/100 lub gdy temperatura otoczenia przekracza 30 °C (86 °F) w przypadku modeli CFX3 75DZ/95DZ (ustawienie niskie -22 °C / wysokie +4 °C).

Kontrola/certyfikaty:



	CFX3 25	CFX3 35
Napięcie zasilania:	12/24 V \equiv 100-240 V \sim	
Prąd znamionowy:	12 V \equiv : 6,5 A 24 V \equiv : 3,2 A 100 V \sim : 0,90 A 240 V \sim : 0,38 A	12 V \equiv : 7,5 A 24 V \equiv : 3,3 A 100 V \sim : 0,94 A 240 V \sim : 0,39 A
Zakres temperatur chłodzenia:	+20 °C do -22 °C (+68 °F do -8 °F)	
Klasa klimatyczna:	N, T	
Temperatura otoczenia:	+16 °C do +43 °C (+61 °F do +110 °F)	
Port ładowania USB:	5 V \equiv , 2 A	
Zakres częstotliwości:	WiFi: 2412 MHz – 2472 MHz / 2422 MHz – 2462 MHz Bluetooth/BLE: 2402 MHz – 2480 MHz	
Pasma częstotliwości (WiFi):	2,4 GHz	
Moc wyjściowa RF:	WiFi: 16,62 dBm (802.11b), 16,23 dBm (802.11g), 16,45 dBm (802.11n20), 16,02 dBm (802.11n40) Bluetooth: 8,31 dBm Bluetooth LE: 6,67 dBm	
Ilość czynnika chłodniczego:	32 g	38 g
Ekwiwalent CO ₂ :	0,046 t	0,054 t
Potencjał tworzenia efektu cieplarnianego (GWP):	1430	
Wymiary (szer. x wys. x gł.) w mm (łącznie z uchwytami):	342 x 569 x 420	398 x 694 x 407
Masa:	12,7 kg	16,9 kg

	CFX3 45	CFX3 55
Napięcie zasilania:	12/24 V \equiv 100-240 V \sim	
Prąd znamionowy:	12 V \equiv : 8,2 A 24 V \equiv : 3,5 A 100 V \sim : 0,96 A 240 V \sim : 0,40 A	12 V \equiv : 8,7 A 24 V \equiv : 3,7 A 100 V \sim : 0,98 A 240 V \sim : 0,41 A
Zakres temperatur chłodzenia:	+20 °C do -22 °C (+68 °F do -8 °F)	
Klasa klimatyczna:	N, T	
Temperatura otoczenia:	+16 °C do +43 °C (+61 °F do +110 °F)	
Port ładowania USB:	5 V \equiv , 2 A	
Zakres częstotliwości:	WiFi: 2412 MHz – 2472 MHz / 2422 MHz – 2462 MHz Bluetooth/BLE: 2402 MHz – 2480 MHz	
Pasma częstotliwości (WiFi):	2,4 GHz	
Moc wyjściowa RF:	WiFi: 16,62 dBm (802.11b), 16,23 dBm (802.11g), 16,45 dBm (802.11n20), 16,02 dBm (802.11n40) Bluetooth: 8,31 dBm Bluetooth LE: 6,67 dBm	
Ilość czynnika chłodniczego:	42 g	45 g
Ekwiwalent CO ₂ :	0,060 t	0,064 t
Potencjał tworzenia efektu cieplarnianego (GWP):	1430	
Wymiary (szer. x wys. x gł.) w mm (łącznie z uchwytami):	398 x 694 x 476	720 x 455 x 480
Masa:	18,7 kg	20,4 kg

	CFX3 55IM	CFX3 75DZ	CFX3 95DZ
Napięcie zasilania:	12/24 V \equiv 100-240 V \sim		
Prąd znamionowy:	12 V \equiv : 8,9 A 24 V \equiv : 3,8 A 100 V \sim : 1,00 A 240 V \sim : 0,42 A	12 V \equiv : 9,6 A 24 V \equiv : 4,2 A 100 V \sim : 1,12 A 240 V \sim : 0,47 A	12 V \equiv : 10,4 A 24 V \equiv : 4,6 A 100 V \sim : 1,22 A 240 V \sim : 0,51 A
Zakres temperatur chłodzenia:	+20 °C do -22 °C (+68 °F do -8 °F)		
Klasa klimatyczna:	N, T		
Temperatura otoczenia:	+16 °C do +43 °C (+61 °F do +110 °F)		
Port ładowania USB:	5 V \equiv , 2 A		
Zakres częstotliwości:	WiFi: 2412 MHz – 2472 MHz / 2422 MHz – 2462 MHz Bluetooth/BLE: 2402 MHz – 2480 MHz		
Pasma częstotliwości (WiFi):	2,4 GHz		
Moc wyjściowa RF:	WiFi: 16,62 dBm (802.11b), 16,23 dBm (802.11g), 16,45 dBm (802.11n20), 16,02 dBm (802.11n40) Bluetooth: 8,31 dBm Bluetooth LE: 6,67 dBm		
Ilość czynnika chłodniczego:	45 g	59 g	67 g
Ekwiwalent CO ₂ :	0,064 t	0,084 t	0,096 t
Potencjał tworzenia efektu cieplarnianego (GWP):	1430		
Wymiary (szer. x wys. x gł.) w mm (łącznie z uchwytami):	720 x 455 x 480	892 x 495 x 472	962 x 530 x 472
Masa:	21,3 kg	27,8 kg	29,8 kg

	CFX 3 100
Napięcie zasilania:	12/24 V=== 100-240 V~
Prąd znamionowy:	12 V===: 10,8 A 24 V===: 4,8 A 100 V~ : 1,28 A 240 V: 0,53 A
Zakres temperatur chłodzenia:	+20 °C do -22 °C (+68 °F do -8 °F)
Klasa klimatyczna:	N, T
Temperatura otoczenia:	+16 °C do +43 °C (+61 °F do +110 °F)
USB:	5 V===, 2 A
Zakres częstotliwości:	WiFi: 2412 MHz – 2472 MHz / 2422 MHz – 2462 MHz Bluetooth/BLE: 2402 MHz – 2480 MHz
Pasmo częstotliwości (WiFi):	2,4 GHz
Moc wyjściowa RF:	WiFi: 16,62 dBm (802.11b), 16,23 dBm (802.11g), 16,45 dBm (802.11n20), 16,02 dBm (802.11n40) Bluetooth: 8,31 dBm Bluetooth LE: 6,67 dBm
Ilość czynnika chłodniczego:	60 g
Ekwiwalent CO ₂ :	0,086 t
Potencjał tworzenia efektu cieplarnianego (GWP):	1430
Wymiary (szer. x wys. x gł.) w mm (łącznie z uchwytami):	962 x 530 x 472
Masa:	29,6 kg

Obieg czynnika chłodniczego zawiera R134a.

Produkt zawiera fluorowane gazy cieplarniane.

Agregat chłodniczy jest hermetycznie zamknięty.

Urządzenia radiowe Dometic CFX3 25 do CFX3 100 spełniają wymagania dyrektywy 2014/53/UE. Deklarację zgodności dla urządzenia można znaleźć na stronie documents.dometic.com.

Dôkladne si prečítajte tento návod a dodržiavajte všetky pokyny, usmernenia a varovania uvedené v tomto návode k výrobku, aby sa zaručilo, že výrobok sa vždy bude správne inštalovať, používať a udržiavať. Tento návod MUSÍ zostať priložený k výrobku.

Používaním tohto výrobku týmto potvrdzujete, že ste si dôkladne prečítali všetky pokyny, usmernenia a varovania a že rozumiete a súhlasíte s dodržiavaním všetkých uvedených podmienok. Súhlasíte, že tento výrobok budete používať len v súlade so zamýšľaným použitím a v súlade s pokynmi, usmerneniami a varovania uvedenými v tomto návode k výrobku, ako aj v súlade so všetkými platnými zákonmi a nariadeniami. V prípade, že si neprečítate a nebudete sa riadiť pokynmi a varovaniami uvedenými v tomto návode, môže mať za následok vaše poranenie alebo poranenie iných osôb, poškodenie vášho výrobku alebo poškodenie majetku v jeho blízkosti. Tento návod k výrobku vrátane pokynov, usmernení a varovaní, a súvisiaca dokumentácia môže podliehať zmenám a aktualizáciám. Najaktuálnejšie informácie o výrobku nájdete na adrese documents.domestic.com, domestic.com.

Obsah

1	Vysvetlenie symbolov	380
2	Bezpečnostné pokyny	381
3	Rozsah dodávky	384
4	Príslušenstvo	384
5	Používanie v súlade s určením	385
6	Opis činnosti	386
6.1	Rozsah funkcií	386
6.2	Ovládacie a indikačné prvky	387
7	Obsluha	388
7.1	Pred prvým použitím	388
7.2	Úspora energie	388
7.3	Zmena smeru otvárania veka	389
7.4	Pripojenie chladiaceho boxu	389
7.5	Použitie chladiaceho boxu	390
7.6	Používanie displeja	390
7.7	Uzamknutie/odmoknutie displeja	391
7.8	Voľba jednotky teploty	391
7.9	Nastavenie teploty	391
7.10	Použitie ochrany batérie	391
7.11	Nastavenie jasu displeja	392
7.12	Zapnutie alebo vypnutie priehradok (iba modely CFX3 75DZ, CFX3 95DZ)	392
7.13	Použitie výrobníka ľadu (iba model CFX3 55IM)	392
7.14	Stiahnutie aplikácie CFX3	394
7.15	Nastavenie signálu Bluetooth a pripojenie k aplikácii	394
7.16	Nastavenie WiFi signálu a pripojenie k aplikácii	394
7.17	Zmena názvu CFX a hesla v aplikácii	395
7.18	Resetovanie hesla aplikácie (iba WiFi)	395

7.19	Obnovenie výrobných nastavení	395
7.20	USB pripojenie pre napájanie	395
7.21	Odmrazenie chladiaceho boxu	395
7.22	Výmena poistky striedavého prúdu	396
7.23	Výmena poistky jednosmerného prúdu	396
7.24	Výmena poistky zástrčky na jednosmerný prúd	396
7.25	Výmena dosky svetelných vodičov	397
8	Čistenie a údržba	397
9	Odstraňovanie porúch	398
10	Záruka	401
11	Likvidácia	402
12	Technické údaje	402

1 Vysvetlenie symbolov



NEBZPEČENSTVO!

Bezpečnostný pokyn: Označuje nebezpečnú situáciu, ktorej následkom je smrť alebo vážne zranenie, ak sa jej nezabráni.



VÝSTRAHA!

Bezpečnostný pokyn: Označuje nebezpečnú situáciu, ktorej následkom môže byť smrť alebo vážne zranenie, ak sa jej nezabráni.



UPOZORNENIE!

Bezpečnostný pokyn: Označuje nebezpečnú situáciu, ktorej následkom môže byť malé alebo stredne ťažké zranenie, ak sa jej nezabráni.



POZOR!

Označuje situáciu, ktorej následkom môže byť poškodenie majetku, ak sa jej nezabráni.



POZNÁMKA

Doplňujúce informácie týkajúce sa obsluhy produktu.

2 Bezpečnostné pokyny



NEBZPEČENSTVO! Nedodržanie týchto varovaní bude mať za následok smrť alebo vážne poranenie.

Nebezpečenstvo úrazu elektrickým prúdom

- U lodí: Pri sieťovej prevádzke bezpodmienečne zabezpečte, aby napájanie prúdom bolo zaistené FI prúdovým chráničom.
- Nikdy sa nedotýkajte holými rukami obnažených vodičov. To platí predovšetkým pri prevádzke prostredníctvom siete striedavého prúdu.
- Pred uvedením zariadenia do prevádzky dbajte na to, aby bolo suché prírodné vedenie a zástrčka.



VÝSTRAHA! Nedodržanie týchto varovaní môže mať za následok smrť alebo vážne poranenie.

Nebezpečenstvo úrazu elektrickým prúdom

- Nepoužívajte chladiace zariadenie, ak je viditeľné poškodené.
- Ak je napájací kábel tohto chladiaceho zariadenia poškodený, musí sa vymeniť, aby sa zabránilo bezpečnostným rizikám.
- Opravy tohto chladiaceho zariadenia smie vykonávať len kvalifikovaný personál. Nesprávne opravy môžu zapríčiniť vážne riziká.
- Zariadenie pripájajte do zásuviek, ktoré zaručia správne pripojenie, najmä vtedy, keď je zariadenie potrebné uzemniť.

Nebezpečenstvo požiaru

- Pri umiestňovaní zariadenia sa ubezpečte, že napájací kábel nie je zachytený alebo poškodený.
- Neumiestňuje žiadne viacnásobné prenosné zásuvky alebo prenosné napájacie adaptéry na zadnú stranu zariadenia.
- Udržujte vetracie otvory na telese zariadenia alebo v zabudovaných konštrukciách nezablockované.
- Nepoužívajte žiadne mechanické predmety alebo iné prostriedky na urýchlenie procesu rozmrazovania, okrem prípadu, keď ich výrobca odporúča na tento účel.
- Nepoškodte chladiaci okruh.

Nebezpečenstvo ohrozenia zdravia

- Toto zariadenie smú používať deti od 8 rokov a osoby so zníženými psychickými, zmyslovými alebo mentálnymi schopnosťami a vedomosťami, keď sú pod dozorom alebo keď boli poučené o bezpečnom používaní zariadenia a chápu, aké riziká z toho vyplývajú.

- Deti sa nesmú hrať so zariadením.
- Čistenie a bežnú údržbu nesmú vykonávať deti bez dozoru.
- Deti vo veku od 3 do 8 rokov smú vkladať potraviny do chladiacich zariadení a tiež ich z nich vyberať.

Nebezpečenstvo výbuchu

- V chladiacom zariadení neskladujte látky, u ktorých hrozí nebezpečenstvo výbuchu napr. sprejové nádoby s horľavým hnacím plynom.



UPOZORNENIE! Nedodržanie týchto upozornení môže mať za následok drobné alebo stredne ťažké poranenie.

Nebezpečenstvo úrazu elektrickým prúdom

- Chladiace zariadenie odpojte od zdroja napätia
 - pred každým čistením a údržbou,
 - po každom použití.

Nebezpečenstvo ohrozenia zdravia

Pre zabránenie kontaminácii potravín dodržte nasledujúce pokyny:

- Skontrolujte, či chladiaci výkon zariadenia zodpovedá požiadavkám potravín alebo liekov, ktoré chcete chladiť.
- Potraviny sa smú skladovať len v originálnych baleniach alebo vhodných nádobách.
- Otvorenie chladiaceho zariadenia na dlhšiu dobu môže spôsobiť výrazné zvýšenie teploty v priehradkách zariadenia.
- Pravidelne čistíte povrchy, ktoré môžu prísť do kontaktu s potravinami a prístupnými systémami na odvádzanie kondenzátu.
- Ak zariadenie ponecháte prázdne na dlhý čas:
 - Vypnite zariadenie.
 - Odmrazte zariadenie.
 - Zariadenie vyčistite a usušte.
 - Nechajte otvorené veko, aby ste zabránili tvorbe plesní vnútri zariadenia.



POZOR! Nebezpečenstvo poškodenia

- Skontrolujte, či údaj o napätí na typovom štítku súhlasí s údajom na zdroji napájania.
- Chladiace zariadenie pripájajte iba nasledovne:
 - Pripojte pripájací kábel na jednosmerný prúd k zdroju jednosmerného prúdu vo vozidle
 - alebo pripojte pripájací kábel na striedavý prúd do zásuvky so striedavým prúdom.

- Konektor nikdy nevyťahujte zo zásuvky za kábel.
- Ak je chladiace zariadenie zapojené do zásuvky s jednosmerným prúdom, pred pripojením rýchlonabíjačky odpojte chladiace zariadenie a ostatné elektrické spotrebiče.
- Ak je chladiace zariadenie zapojené do zásuvky s jednosmerným prúdom, pri vypnutí motora odpojte alebo vypnite chladiace zariadenie. Inak sa môže vybiť batéria vozidla.
- Chladiace zariadenie nie je vhodné na prepravu žieravých látok alebo látok s obsahom rozpúšťadiel.
- Izolácia chladiaceho zariadenia obsahuje horľavý cyklopentán a vyžaduje si špeciálne postupy pri likvidácii. Po uplynutí jeho životnosti odovzdanie chladiaceho zariadenia na vhodnú recykláciu.
- Nepoužívajte žiadne elektrické zariadenia v chladiacom zariadení, okrem prípadu, keď výrobca odporúča používanie týchto zariadení takýmto spôsobom.
- Neumiestňujte chladiace zariadenie do blízkosti otvoreného plameňa alebo iných zdrojov tepla (ohrievače, priame slnečné žiarenie, plynové rúry atď.).
- **Riziko prehriatia!**

Ubezpečte sa, že po celú dobu je na všetkých štyroch stranách chladiaceho zariadenia minimálne 50 mm voľného priestoru na vetranie. Neblokujte vetrací priestor žiadnymi predmetmi, ktoré by mohli prekážať prúdeniu vzduchu k chladiacim súčiastkam.

Neumiestňujte chladiace zariadenie do uzavretých priehradiek alebo priestorov bez prúdenia alebo s minimálnym prúdením vzduchu.
- Dbajte na to, aby vetracie otvory neboli zakryté.
- Do vnútorného zásobníka neplňte ľad ani žiadne kvapaliny.
- Chladiace zariadenie nikdy neponárajte do vody.
- Chráňte chladiace zariadenie a káble pred vysokými teplotami a vlhkosťou.
- Zariadenie nevystavujte dažďu.

3 Rozsah dodávky

Položka na obr. 1, strane 3	Počet	Opis
1	1	Chladiaci box
2	1	Prípájací kábel pre prípojku s jednosmerným prúdom
3	1	Prípájací kábel pre prípojku so striedavým prúdom

4 Príslušenstvo

K dispozícii ako príslušenstvo (nie je súčasťou dodávky):

Označenie	Č. výr.	Model
Ochranný obal		
CFX3 25PC	9600028749	CFX3 25
CFX3 35PC	9600028455	CFX3 35
CFX3 45PC	9600028456	CFX3 45
CFX3 55PC	9600028457	CFX3 55
		CFX3 55IM
CFX3 75PC	9600028458	CFX3 75DZ
CFX3 95PC	9600028459	CFX3 95DZ
CFX3 100PC	9600028460	CFX3 100
Plnovýsuv chladničky		
CFX3 SLD3545	9600028548	CFX3 35
		CFX3 45
CFX3 SLD55	9600028549	CFX3 55
		CFX3 55IM
CFX3 SLD75	9600028550	CFX3 75DZ
CFX3 SLD95100	9600028551	CFX3 95DZ
		CFX3 100

Označenie	Č. výr.	Model
Aplikácia CFX3	–	vhodná pre všetky modely
PLB40	9600012878	vhodná pre všetky modely

Majte na pamäti, že aplikácia CFX3 nemusí byť dostupná vo vašej krajine.

5 Používanie v súlade s určením

Chladiaci box je vhodný na chladenie potravín. Chladiaci box je tiež vhodný na použitie vo vozidlách. Chladiaci box je skonštruovaný na pripojenie k zásuvke na jednosmerný prúd vozidla alebo na pripojenie k sieti so striedavým prúdom.

Chladiaci box je tiež vhodný na kempovanie.

Chladiaci box je určený na použitie v domácnosti a na podobné použitie, napríklad

- v kuchynkách pre zamestnancov v obchodoch, kanceláriách a iných pracovných prostrediach
- na chalupách
- zákazníkmi v hoteloch, motelloch a v iných typoch ubytovacích zariadení
- v zariadeniach typu Bed and Breakfast
- v kateringovej alebo podobných veľkoobchodných zariadeniach

Chladiaci box **nie je** vhodný na:

- skladovanie korozívnych, žieravých látok alebo látok obsahujúcich rozpúšťadlá,

Tento chladiaci box je vhodný iba na použitie na určený účel a použitie v súlade s týmto návodom.

Tento návod obsahuje informácie, ktoré sú nevyhnutné pre správnu inštaláciu a/alebo obsluhu chladiaceho boxu. Chybná inštalácia a/alebo nesprávna obsluha či údržba bude mať za následok neuspokojivý výkon a možnú poruchu.

Výrobca nenesie žiadnu zodpovednosť za akékoľvek poranenia či škody na výrobku spôsobené:

- nesprávnou montážou alebo pripojením vrátane nadmerného napätia
- nesprávnou údržbou alebo použitím iných ako originálnych náhradných dielov poskytnutých výrobcom
- Zmeny produktu bez výslovného povolenia výrobcu

- Použitie na iné účely než na účely opísané v návode

Firma Dometic si vyhradzuje právo na zmenu vzhľadu a technických parametrov výrobku.

6 Opis činnosti

Chladienie sa uskutočňuje prostredníctvom takmer bezúdržbového chladiaceho okruhu s kompresorom. Dostatočná izolácia a výkonný kompresor zaručujú účinné a rýchle chladienie.

Chladiaci box je určený na mobilné použitie.

Chladiaci box vydrží krátkodobý náklon 30°.

6.1 Rozsah funkcií

- Zdroj napájania s prioritným obvodom na pripojenie k zdroju so striedavým napätím
- Trojstupňový indikátor batérie na ochranu batérie vozidla
- Displej so zobrazením teploty v °C a °F
- Nastavenie teploty v krokoch po 1 °C (1 °F)
- Integrovaná funkcia WiFi a Bluetooth, vďaka čomu je možné ovládanie s použitím aplikácie
- Sklopné prenosné rukoväte
- USB nabíjačka pre prenosné zariadenia, ako napríklad mobilné telefóny
- Vyberateľný vkladací kôš
- **Iba model CFX3 55IM:** Výrobca ľadu

6.2 Ovládacie a indikačné prvky

Západka veka: obr. 2 1, strane 3

Ovládací panel (obr. 3 1, strane 4)

Položka	Opis	Vysvetlenie
1		Zapne chladiaci box, keď sa tlačidlo krátko stlačí Vypne chladiaci box, keď sa tlačidlo stlačí na tri sekundy Návrat do hlavného menu
2	Displej	Zobrazuje informácie AC : Sieť striedavého napätia je pripojená DCV : Sieť jednosmerného napätia je pripojená  : Bluetooth je aktivované  : WiFi je aktivovaná  : Displej je uzamknutý ● : Kompresor beží ■ : Výrobník ľadu pracuje (iba model CFX3 55IM)
3		Stlačte  na prechádzanie nahor alebo na zvýšenie zvolenej hodnoty. Stlačte  na prechádzanie nadol alebo na zníženie zvolenej hodnoty. Súčasne stlačte  a  na 3 s pre uzamknutie alebo odomknutie displeja.
4		Stlačte pre voľbu menu alebo uloženie zvolenej hodnoty.

Zásuvkové prípojky (obr. 4, strane 4):

Položka	Opis
1	Prípojná zásuvka napájania striedavým napätím
2	Prípojná zásuvka napájania jednosmerným napätím
3	Držiak poistky pre jednosmerný prúd
4	Držiak poistky pre striedavý prúd

7 Obsluha

Aby ste predišli plytvaniu potravinami, vezmite na vedomie nasledujúce:

- Zabráňte kolísaniu teploty v čo najväčšej možnej miere. Chladiace zariadenie otvárajte iba tak často a na takú dobu, ako je nevyhnutné. Skladujte potraviny tak, aby vzduch stále mohol dobre cirkulovať.
- Prispôsobte teplotu množstvu a druhu potravín.
- Potraviny dokážu ľahko absorbovať alebo uvoľňovať pachy či chute. Potraviny vždy skladujte zakryté alebo v uzavretých nádobách/flašiach.

7.1 Pred prvým použitím

**POZNÁMKA**

Pred uvedením chladiaceho boxu do prevádzky by ste ho z hygienických dôvodov mali vyčistiť zvonku a zvnútra vlhkou handričkou (pozri tiež kap. „Čistenie a údržba“ na strane 397).

7.2 Úspora energie

- Vyberte si dobre odvetrané miesto, ktoré je chránené pred priamym slnečným svetlom.
- Teplé jedlá nechajte pred vložením do chladiaceho zariadenia najprv vychladnúť.
- Chladiace zariadenie neotvárajte častejšie, ako je to potrebné.
- Chladiace zariadenie nenechávajte otvorené dlhšie, ako je nevyhnutné.
- Ak chladiaci box disponuje košom: Pre optimálnu spotrebu energie umiestnite koš podľa jeho umiestnenia pri dodaní.
- Pravidelne kontrolujte, či tesnenie veka stále pevne drží.

7.3 Zmena smeru otvárania veka

CFX3 55, CFX3 55IM, CFX3 100

- Postupujte podľa obrázka (obr. **5**, strane 5).

CFX3 75DZ, CFX3 95DZ

- Postupujte podľa obrázka (obr. **6**, strane 6).

7.4 Pripojenie chladiaceho boxu



POZOR! Nebezpečenstvo poškodenia

- Na ochranu zariadenia sa kábel na jednosmerný prúd dodáva s poistkou vo vnútri zástrčky. **Neodstraňujte** zástrčku na jednosmerný prúd s poistkou.
Používajte len dodaný kábel na jednosmerný prúd.
- Pred pripojením batérie k rýchlonabíjačke odpojte chladiaci box a iné spotrebiče od batérie.
Prepätie môže poškodiť elektroniku zariadenia.

Pripojenie k batérii

- Postupujte podľa obrázka (obr. **7**, strane 7).

Pripojenie pomocou predĺžených neodpojiteľných káblov jednosmerného prúdu (iba model CFX3 100)

- Postupujte podľa obrázka (obr. **8**, strane 8).

Pripojenie k sieti striedavého napätia



NEBZPEČENSTVO! Nebezpečenstvo úrazu elektrickým prúdom

- Nikdy nemanipulujte s konektormi a spínačmi, keď máte mokré ruky alebo stojíte vo vode.
- Keď prevádzkujete chladiaci box na palube lode zo siete striedavého napätia, musíte v každom prípade medzi napájanie striedavým prúdom a chladiaci box zapojiť prúdový chránič.
Poradte sa s kvalifikovaným odborníkom.

- Postupujte podľa obrázka (obr. **9**, strane 9).

7.5 Použitie chladiaceho boxu



POZOR! Riziko prehriatia

Zabezpečte po celú dobu dostatočné vetranie, aby teplo vytvárané počas prevádzky mohlo byť odvádzané. Dbajte na to, aby vetracie otvory neboli zakryté. Zabezpečte, aby zariadenie bolo v dostatočnej vzdialenosti od stien alebo predmetov, takže bude zaručená cirkulácia vzduchu.



POZNÁMKA

Pri napájaní z batérie sa displej automaticky vypne, ak je napätie batérie nízke.

- Zapnutie chladiaceho boxu: obr. **10**, strane 9
- Vypnutie chladiaceho boxu: obr. **11**, strane 10

7.6 Používanie displeja

Stavy displeja (obr. **12**, strane 10)

Položka	Opis
A	Pripravené na prevádzku
B	Kľudový režim
C	Uzamknutý

Prehľad displeja: obr. **13**, strane 11

Prechádzanie cez menu

Zvýraznené menu je zvolené.

- ▶ Stlačte  na prechádzanie nahor.
- ▶ Stlačte  na prechádzanie nadol.

Výber menu

- ▶ Stlačte  pre výber požadovaného menu.

Zmena nastavení

Zvýraznená hodnota alebo zvýraznené nastavenie je zvolené.

- ▶ Stlačte  pre zvýšenie zvolenej hodnoty alebo na výber predchádzajúceho nastavenia.
- ▶ Stlačte  pre zníženie zvolenej hodnoty alebo na výber nasledujúceho nastavenia.

Návrat do predchádzajúceho menu

- ▶ Stlačte  pre návrat do predchádzajúceho menu bez uloženia.

7.7 Uzamknutie/odmknutie displeja

- ▶ Súčasne stlačte  a  na 3 s pre uzamknutie alebo odomknutie displeja (obr. 14, strane 11).

7.8 Voľba jednotky teploty

- ▶ Postupujte podľa obrázka (obr. 15, strane 11).

7.9 Nastavenie teploty



POZOR! Nebezpečenstvo poškodenia následkom nadmerne nízkej teploty

Dbajte na to, aby sa v chladiacom zariadení nachádzali len predmety, príp. tovar, ktoré sa môžu chladiť na zvolenú teplotu.

- ▶ Postupujte podľa obrázka (obr. 16, strane 12).

7.10 Použitie ochrany batérie

Zariadenie je vybavené s 3-stupňovou ochranou batérie. Ochrana batérie zabráňuje nadmernému vybitiu, keď je zariadenie pripojené k štartovacej batérie vozidla alebo maximalizuje použitie napájacej batérie.

Ak sa chladiaci box používa pri vypnutom zapalovaní vozidla, samočinne sa vypne hneď, ako napájacie napätie klesne pod nastavenú hodnotu. Chladiaci box sa znova zapne hneď, ako sa nabitím batérie dosiahne znovuzapínacie napätie.



POZOR! Nebezpečenstvo poškodenia

Pri vypnutí ochranou batérie už batéria nemá svoju plnú kapacitu nabitia. Vyhnite sa opakovanému štartovaniu. Postarajte sa, aby sa batéria opäť nabila.



POZNÁMKA

Keď je chladiaci box napájaný štartovacou batériou, zvolte režim ochrany batérie „MEDIUM“ alebo „HIGH“. Keď je chladiaci box pripojený k napájacej batérii, ideálnou voľbou je režim ochrany batérie „LOW“.

- Postupujte podľa obrázka (obr. **17**, strane 13).

7.11 Nastavenie jasu displeja

- Postupujte podľa obrázka (obr. **18**, strane 13).

7.12 Zapnutie alebo vypnutie priehradok (iba modely CFX 3 75DZ, CFX 3 95DZ)

Každú zónu môžete aktivovať samostatne alebo ich môžete aktivovať obidve.

- Postupujte podľa obrázka (obr. **19**, strane 14).

7.13 Použitie výrobníka ľadu (iba model CFX 3 55IM)



POZNÁMKA

- Nezávisle od nastavenia teploty hlavnej priehradky je zóna výrobníka ľadu určená na výrobu ľadových kociek, ak je výrobník ľadu zapnutý.
- So zapnutým výrobníkom ľadu sa zvyšuje spotreba energie chladiaceho boxu. Z tohto dôvodu vypínajte výrobník ľadu, keď ho nepoužívate.
- Výrobné nastavenie výrobníka ľadu je VYPNUTÝ.

- Postupujte podľa obrázka (obr. **20**, strane 14).

Nalievanie vody do misiek na ľad

- Vyberte misky na ľad (obr. **21** 1, strane 15) z puzdra výrobníka ľadu (obr. **21** 2, strane 15).
- Odoberte kryty z misiek na ľad, naplňte ich čistou vodou a znovu nasadte kryty, pričom dbajte na to, aby ste tesnenie zatlačili po celom okraji misiek.

- Misky na ľad znovu umiestnite do puzdra výrobníka ľadu a zatvorte veko.

**POZNÁMKA**

Ak je pod miskami na ľad rozliata voda, utrite ju dosucha. Minimalizuje sa tak tvorba námrazy pod miskami a ich vyberanie bude jednoduchšie.

Vybratie ľadových kociek

- Otvorte veko puzdra výrobníka ľadu a misky na ľad zdvihnite za prednú časť.

**POZNÁMKA**

Vybratie si môže vyžadovať väčšiu silu s použitím oboch rúk v prípade vyššej vlhkosti vzduchu, následkom čoho sa pod miskami na ľad môže vytvoriť ľad.

- Odoberte kryty misiek na ľad a skrútením misiek uvoľníte kocky ľadu.

Vybratie puzdra výrobníka ľadu

Puzdro výrobníka ľadu je možné vybrať kvôli čisteniu alebo ak sa nepoužíva, aby sa zväčšil využiteľný priestor vnútri chladiaceho boxu:

- Zdvihnite puzdro na jednom konci, kým sa úchyt neuvoľní zo spony, potom ho vytiahnite.
- Pri opätovnom vkladaní zatlačte na úchyty, aby puzdro zapadlo na svoje miesto.

Tipy na použitie výrobníka ľadu

- Po zapnutí výrobníka ľadu za niekoľko hodín rýchlo vyrobí ľad a potom sa automaticky prepne do režimu uchovávania ľadu kvôli zníženiu spotreby energie. Ak čo najrýchlejšie potrebujete niekoľko dávok ľadu, vypnutím a opätovným zapnutím sa výrobník ľadu nastaví späť do režimu rýchlej výroby ľadu. Opakujte podľa potreby.
- V podmienkach vysokej teploty okolia so zapnutým výrobníkom ľadu nemusia zostať zachované nastavenia nízkej teploty mrazničky v hlavnej priehradky.

Čistenie a sušenie výrobníka ľadu

- Ak výrobník ľadu nepoužívate, vyčistíte a vysušíte misky na ľad a vnútro puzdra výrobníka ľadu, aby ste predišli tvorbe plesní.
- Ak misky na ľad dlhšie nepoužívate, pred použitím vyčistíte vnútro misiek na ľad s jemným roztokom prípravku na umývanie riadu a vypláchnite ich čistou vodou.

7.14 Stiahnutie aplikácie CFX 3

Chladiaci box je možné monitorovať a ovládať prostredníctvom Bluetooth alebo WiFi s pomocou aplikácie, ktorú si môžete nainštalovať na kompatibilné zariadenie.

► Stiahnite si aplikáciu CFX 3 z App Store alebo Google Play:



Majte na pamäti, že aplikácia CFX3 nemusí byť dostupná vo vašej krajine.

7.15 Nastavenie signálu Bluetooth a pripojenie k aplikácii

Chladiaci box je možné monitorovať a ovládať prostredníctvom Bluetooth. Kvôli tomu musíte chladiaci box spárovať s vaším Bluetooth zariadením.



POZNÁMKA

- Párovanie sa musí vykonať v aplikácii CFX3, nie v nastaveniach zariadenia.
- Bluetooth spojenie si nevyžaduje heslo.

► Postupujte podľa obrázka (obr. **22**, strane 15).

7.16 Nastavenie WiFi signálu a pripojenie k aplikácii

Chladiaci box je možné monitorovať a ovládať prostredníctvom priameho WiFi spojenie s chladiacim boxom alebo prostredníctvom WiFi siete.

► Pri zapnutí WiFi postupujte nasledovne (obr. **23**, strane 16).

- Pre priame WiFi spojenie s chladiacim boxom prejdite do nastavení zariadenia a zvolte si svoj chladiaci box.
 - Názov WiFi vášho chladiaceho boxu začína s „CFX3“.
 - Prednastavené heslo je „**00000000**“.
 - V aplikácii CFX 3 si môžete personalizovať názov WiFi a heslo.



POZNÁMKA

Pre pripojenie prostredníctvom WiFi siete prejdite do „Pripojenie siete“ v NASTAVENIACH aplikácie.

7.17 Zmena názvu CFX a hesla v aplikácii

- V aplikácii si môžete personalizovať názov vášho CFX.
 - Rovnaký názov platí pre Bluetooth aj WiFi.
 - Tiež si môžete personalizovať svoje heslo v aplikácii – platí len pre WiFi.
- Prejdite do „Názov a heslo CFX“ v NASTAVENIACH aplikácie.

7.18 Resetovanie hesla aplikácie (iba WiFi)

Heslo aplikácie môžete obnoviť na výrobné nastavenie „00000000“.

- Postupujte podľa obrázka (obr. 23, strane 16).

7.19 Obnovenie výrobných nastavení

Funkcia resetovania obnoví všetky menu displeja a polia aplikácie na pôvodné výrobné nastavenia.

- Postupujte podľa obrázka (obr. 24, strane 16).

7.20 USB pripojenie pre napájanie

USB pripojenie môžete použiť na nabíjanie malých prístrojov (napr. mobilné telefóny a MP3 prehrávače).



POZNÁMKA

Uistite sa, že drobný spotrebič pripojený k USB pripojeniu, je vhodný na prevádzku s 5 V/2 A.

- Postupujte podľa obrázka (obr. 26, strane 17).

7.21 Odmrazenie chladiaceho boxu

Vlhkosť vzduchu môžu vo vnútri chladiaceho zariadenia alebo na výparníku vytvárať námrazu. Tým sa znižuje chladiaci výkon. Zariadenie včas odmrázte, aby ste tomu zabránili.



POZOR! Nebezpečenstvo poškodenia

Na odstránenie vrstvy námrazy alebo uvoľnenie primrznutých predmetov nepoužívajte tvrdé alebo špicaté nástroje.

Pri odmrazovaní chladiaceho boxu postupujte nasledovne:

- Vyberte obsah chladiaceho boxu.
- V prípade potreby ho uskladnite v inom chladiacom zariadení, aby zostal chladený.
- Vypnite zariadenie.
- Veko nechajte otvorené.
- Utrite rozmrazenú vodu.

7.22 Výmena poistky striedavého prúdu



NEBZPEČENSTVO! Nebezpečenstvo úrazu elektrickým prúdom

Pred výmenou poistky zariadenia odpojte zdroj napájania a pripájacie káble.

- Odpojte prívod elektrickej energie do zariadenia.
- Vytiahnite pripájací kábel.
- Vypáčte vložku poistky (obr. **4** 4, strane 4) s pomocou skrutkovača.
- Vymeňte chybnú sklenenú poistku za novú poistku rovnakého typu a s rovnakou hodnotou (rýchla, 4 A, 250 V).
- Zatlačte poistkovú vložku znova naspäť do krytu.
- Znovu pripojte prívod elektrickej energie do zariadenia.

7.23 Výmena poistky jednosmerného prúdu

- Vypáčte kryt poistky (obr. **4** 3, strane 4) s pomocou skrutkovača.
- Vyklopte kryt poistky dozadu a s pomocou háku vyberte chybnú nožovú poistku.
- Vložte novú poistku rovnakého typu a s rovnakou hodnotou.
- Znovu nasadíte kryt poistky.

7.24 Výmena poistky zástrčky na jednosmerný prúd

- Vymeňte chybnú poistku za novú poistku rovnakého typu a s rovnakou hodnotou.
- Postupujte podľa obrázka (obr. **27**, strane 17).

7.25 Výmena dosky svetelných vodičov



POZOR! Nebezpečenstvo poškodenia

Kontrolku smie vymeniť len výrobca, servisný technik alebo osoba s podobnou kvalifikáciou, aby sa zabránilo nebezpečenstvu.

8 Čistenie a údržba



POZOR! Nebezpečenstvo poškodenia

- Chladiace zariadenie nikdy nečistíte pod tečúcou vodou alebo dokonca vo vode.
- Na čistenie nepoužívajte ostré čistiace prostriedky alebo tvrdé predmety, pretože by mohli poškodiť chladiace zariadenie.

- Vyčistíte chladiace zariadenie zvnútra a zvonku príležitostne vlhkou handričkou.
- Zabezpečte, aby vetracie a odvzdušňovacie otvory zariadenia boli bez prachu a nečistôt, aby sa teplo vznikajúce pri prevádzke mohlo odvádzať a aby sa zariadenie nepoškodilo.

9 Odstraňovanie porúch

Porucha	Možná príčina	Návrh riešenia
Zariadenie nefunguje (režim jednosmerného prúdu, zapalovanie zapnuté).	V zásuvke s jednosmerným prúdom nebolo namerané žiadne napätie.	Vo väčšine vozidiel musí byť zapnuté zapalovanie, aby do zásuvky s jednosmerným prúdom bolo privádzané napätie.
	Výstup s jednosmerným prúdom je znečistený. To má za následok zlý elektrický kontakt.	Keď sa zástrčka zariadenia vo výstupe s jednosmerným prúdom veľmi zohreje, musí sa buď vyčistiť výstup s jednosmerným prúdom alebo zástrčka pravdepodobne nie je správne zmontovaná.
	Poistka zástrčky na jednosmerný prúd je prehorená.	Vymeňte poistku v zástrčke na jednosmerný prúd, pozri kap. „Výmena poistky jednosmerného prúdu“ na strane 396.
	Poistka jednosmerného prúdu zariadenia prehorela.	Vymeňte poistku jednosmerného prúdu zariadenia, pozri kap. „Výmena poistky jednosmerného prúdu“ na strane 396.
	Poistka vozidla je prehorená.	Vymeňte poistku výstupu s jednosmerným prúdom vozidla. Pozrite si návod na obsluhu vášho vozidla.
Zariadenie nefunguje (režim striedavého prúdu).	Zásuvka striedavého napätia nevedie napätie.	Vyskúšajte inú zásuvku.
	Poistka striedavého prúdu zariadenia prehorela.	Vymeňte poistku striedavého prúdu zariadenia, pozri kap. „Výmena poistky striedavého prúdu“ na strane 396.
	Integrovaný adaptér striedavého prúdu je chybný.	Opravu môže vykonať iba autorizované servisné stredisko.
Displej nereaguje na stláčanie tlačidiel.	Displej je uzamknutý.	Odomknite displej, pozri kap. „Uzamknutie/odmoknutie displeja“ na strane 391.

Porucha	Možná príčina	Návrh riešenia
Aplikácia nemôže ovládať zariadenie.	Bluetooth alebo WiFi nie je pripojené.	Pripojte Bluetooth, pozri kap. „Nastavenie signálu Bluetooth a pripojenie k aplikácii“ na strane 394, alebo pripojte WiFi, pozri kap. „Nastavenie WiFi signálu a pripojenie k aplikácii“ na strane 394.
Na displeji sa zobrazí poplašné hlásenie alebo kód varovania.	–	Pozri tabuľku nižšie.

Poplašné hlásenia

Napr. pozri obr. **25** A, strane 16.

Poplašné hlásenie	Opis	Možná príčina	Návrh riešenia
!POPLACH - Veko otvorené > 3 min	Veko otvorené dlhšie ako 3 minúty	<ul style="list-style-type: none"> Veko nie je úplne zatvorené a zaistené Interná chyba 	<ul style="list-style-type: none"> Skontrolujte, či je veko úplne zatvorené a zaistené Potrebná kontrola v autorizovanom servisnom stredisku

Poplašné hlásenie	Opis	Možná príčina	Návrh riešenia
!POPLACH - Nízke napätie	Zariadenie prestalo fungovať na jednosmerný prúd kvôli nízkemu napätiu	<ul style="list-style-type: none"> Nedostatočné napájacie napätie Napätie batérie je príliš nízke Ochrana batérie je nastavená na príliš vysokú hodnotu. 	<ul style="list-style-type: none"> Skontrolujte pokles napätia z batérie do zásuvky a v prípade potreby zväčšite prierez kábla Urobte test batérie a v prípade potreby ju nabite Zvoľte nižšie nastavenie ochrany batérie.
	Zariadenie prestalo fungovať na jednosmerný prúd kvôli abnormálne vysokému napätiu >31,5 V (Nepravdepodobná udalosť – iba pre ochranu elektroniky – používa rovnaké poplašné hlásenie ako nízke napätie vyššie)	<ul style="list-style-type: none"> Nesprávna špecifikácia jednosmerného napájacieho napätia Chybné napájacie napätie Interná chyba 	<ul style="list-style-type: none"> Ubezpečte sa, že jednosmerné napájacie napätie sa zhoduje s typovým štítkom výrobku CFX 3 Skontrolujte jednosmerné napájacie napätie, ak je chybné, vykonajte opravu alebo výmenu Potrebná kontrola v autorizovanom servisnom stredisku

Kódy varovania

Napr. pozri obr. **25** B, strane 16.

Kód varovania	Porucha	Možná príčina	Návrh riešenia
!VAROVANIE 32	Nadmerný prúd ventilátora	Interná chyba.	Vypnite zariadenie aspoň na 5 min., potom ho reštartujte. Ak problém pretrváva, je potrebná kontrola v autorizovanom servisnom stredisku
!VAROVANIE 33	Neúspešný štart kompresora		

Kód varovania	Porucha	Možná príčina	Návrh riešenia
!VAROVANIE 34	Nízke otáčky kompresora	<ul style="list-style-type: none"> Vysoká teplota okolia 	<ul style="list-style-type: none"> Vypnite zariadenie aspoň na 30 min., alebo ho premiestnite na chladnejšie miesto, potom ho reštartujte
!VAROVANIE 35	Nadmerná teplota riadenia	<ul style="list-style-type: none"> Vetrací otvor zablokovaný alebo nedostatočná vzdialenosť Interná chyba 	<ul style="list-style-type: none"> Vyčistíte vetracie otvory Potrebná kontrola v autorizovanom servisnom stredisku
!VAROVANIE 01	NTC rozpojený obvod JZ (jednotlivá zóna) a DZ (duálna zóna) VEĽKÁ	Interná chyba	Potrebná kontrola v autorizovanom servisnom stredisku
!VAROVANIE 11	NTC rozpojený obvod DZ MALÁ		
!VAROVANIE 02	NTC skrat JZ a DZ VEĽKÁ		
!VAROVANIE 12	NTC skrat DZ MALÁ		
!VAROVANIE 09	Chybný ventil duálnej zóny (DZ) alebo ventil výrobníka ľadu		Vypnite zariadenie aspoň na 1 min., potom ho reštartujte. Ak problém pretrváva, je potrebná kontrola v autorizovanom servisnom stredisku
!VAROVANIE 03/43:	Chyba komunikácie		

10 Záruka

Platí zákonom stanovená záručná lehota. Ak je výrobok poškodený, obráťte sa na svojho predajcu alebo pobočku výrobcu vo svojej krajine (pozrite dometic.com/dealer).

Ak žiadate o vybavenie opravy alebo nárokov vyplývajúcich zo záruky, k zaslanému výrobku musíte priložiť nasledujúce dokumenty:

- kópiu faktúry s dátumom kúpy
- dôvod reklamácie alebo opis chyby

11 Likvidácia



VÝSTRAHA! Riziko uväznenia dieťaťa

Pred likvidáciou vášho starého chladiaceho zariadenia:

- Odmontujte veko.
- Nechajte košíky na svojom mieste, aby deti nemohli ľahko vliezť dnu.

Recyklácia obalového materiálu



- Obalový materiál dávajte podľa možnosti do príslušného recyklovateľného odpadu.

Recyklácia výrobkov s integrovanými batériami, nabíjateľnými batériami alebo svetelnými zdrojmi



- Ak výrobok obsahuje integrované batérie, nabíjateľné batérie alebo svetelné zdroje, nemusíte ich pred likvidáciou vyberať.



- Keď výrobok chcete definitívne vyradiť z prevádzky, informujte sa v najbližšom recyklačnom stredisku alebo u svojho špecializovaného predajcu o príslušných predpisoch týkajúcich sa likvidácie.



- Výrobok je možné bezplatne zlikvidovať.

12 Technické údaje



POZNÁMKA

Minimálna teplota zobrazená v „Chladiaci výkon“ sa nedá dosiahnuť, ak je teplota okolia vyššia ako 32 °C (90 °F) v prípade modelov CFX3 25/35/45/55/55IM/100 alebo ak je teplota okolia vyššia ako 30 °C (86 °F) v prípade modelov CFX3 75DZ/95DZ (nastavte malý pri – 22 °C/veľký pri +4 °C).

Test/certifikáty:



	CFX3 25	CFX3 35
Pripájacie napätie:	12/24 V \equiv 100-240 V \sim	
Menovitý prúd:	12 V \equiv : 6,5 A 24 V \equiv : 3,2 A 100 V \sim : 0,90 A 240 V \sim : 0,38 A	12 V \equiv : 7,5 A 24 V \equiv : 3,3 A 100 V \sim : 0,94 A 240 V \sim : 0,39 A
Chladiaci výkon:	+20 °C až -22 °C (+68 °F až -8 °F)	
Klimatická trieda:	N, T	
Teplota okolia:	+16 °C až +43 °C (+61 °F až +110 °F)	
Nabíjací port USB:	5 V \equiv , 2 A	
Frekvenčný rozsah:	WiFi: 2412 MHz – 2472 MHz / 2422 MHz – 2462 MHz Bluetooth/BLE: 2402 MHz – 2480 MHz	
Frekvenčné pásmo (Wi-Fi):	2,4 GHz	
Výkon RF výstupu:	WiFi: 16,62 dBm (802.11b), 16,23 dBm (802.11g), 16,45 dBm (802.11n20), 16,02 dBm (802.11n40), Bluetooth: 8,31 dBm Bluetooth LE: 6,67 dBm	
Množstvo chladiaceho prostriedku:	32 g	38 g
Ekvivalent CO ₂ :	0,046 t	0,054 t
Potenciál globálneho otepľovania (GWP):	1430	
Rozmery (Š × V × H) v mm (vrátane rukovätí):	342 × 569 × 420	398 × 694 × 407
Hmotnosť:	12,7 kg	16,9 kg

	CFX3 45	CFX3 55
Pripájacie napätie:	12/24 V \equiv 100-240 V \sim	
Menovitý prúd:	12 V \equiv : 8,2 A 24 V \equiv : 3,5 A 100 V \sim : 0,96 A 240 V \sim : 0,40 A	12 V \equiv : 8,7 A 24 V \equiv : 3,7 A 100 V \sim : 0,98 A 240 V \sim : 0,41 A
Chladiaci výkon:	+20 °C až -22 °C (+68 °F až -8 °F)	
Klimatická trieda:	N, T	
Teplota okolia:	+16 °C až +43 °C (+61 °F až +110 °F)	
Nabíjací port USB:	5 V \equiv , 2 A	
Frekvenčný rozsah:	WiFi: 2412 MHz – 2472 MHz / 2422 MHz – 2462 MHz Bluetooth/BLE: 2402 MHz – 2480 MHz	
Frekvenčné pásmo (Wi-Fi):	2,4 GHz	
Výkon RF výstupu:	WiFi: 16,62 dBm (802.11b), 16,23 dBm (802.11g), 16,45 dBm (802.11n20), 16,02 dBm (802.11n40), Bluetooth: 8,31 dBm Bluetooth LE: 6,67 dBm	
Množstvo chladiaceho prostriedku:	42 g	45 g
Ekvivalent CO ₂ :	0,060 t	0,064 t
Potenciál globálneho otepľovania (GWP):	1430	
Rozmery (Š × V × H) v mm (vrátane rukovätí):	398 × 694 × 476	720 × 455 × 480
Hmotnosť:	18,7 kg	20,4 kg

	CFX3 55IM	CFX3 75DZ	CFX3 95DZ
Pripájacie napätie:	12/24 V \equiv 100–240 V \sim		
Menovitý prúd:	12 V \equiv : 8,9 A 24 V \equiv : 3,8 A 100 V \sim : 1,00 A 240 V \sim : 0,42 A	12 V \equiv : 9,6 A 24 V \equiv : 4,2 A 100 V \sim : 1,12 A 240 V \sim : 0,47 A	12 V \equiv : 10,4 A 24 V \equiv : 4,6 A 100 V \sim : 1,22 A 240 V \sim : 0,51 A
Chladiaci výkon:	+20 °C až –22 °C (+68 °F až –8 °F)		
Klimatická trieda:	N, T		
Teplota okolia:	+16 °C až +43 °C (+61 °F až +110 °F)		
Nabíjací port USB:	5 V \equiv , 2 A		
Frekvenčný rozsah:	WiFi: 2412 MHz – 2472 MHz / 2422 MHz – 2462 MHz Bluetooth/BLE: 2402 MHz – 2480 MHz		
Frekvenčné pásmo (Wi-Fi):	2,4 GHz		
Výkon RF výstupu:	WiFi: 16,62 dBm (802.11b), 16,23 dBm (802.11g), 16,45 dBm (802.11n20), 16,02 dBm (802.11n40), Bluetooth: 8,31 dBm Bluetooth LE: 6,67 dBm		
Množstvo chladiaceho prostriedku:	45 g	59 g	67 g
Ekvivalent CO ₂ :	0,064 t	0,084 t	0,096 t
Potenciál globálneho otepľovania (GWP):	1430		
Rozmery (Š × V × H) v mm (vrátane rukovätí):	720 × 455 × 480	892 × 495 × 472	962 × 530 × 472
Hmotnosť:	21,3 kg	27,8 kg	29,8 kg

	CFX3 100
Pripájacie napätie:	12/24 V \equiv 100–240 V \sim
Menovitý prúd:	12 V \equiv : 10,8 A 24 V \equiv : 4,8 A 100 V \sim : 1,28 A 240 V: 0,53 A
Chladiaci výkon:	+20 °C až –22 °C (+68 °F až –8 °F)
Klimatická trieda:	N, T
Teplota okolia:	+16 °C až +43 °C (+61 °F až +110 °F)
USB:	5 V \equiv , 2 A
Frekvenčný rozsah:	WiFi: 2412 MHz – 2472 MHz / 2422 MHz – 2462 MHz Bluetooth/BLE: 2402 MHz – 2480 MHz
Frekvenčné pásmo (Wi-Fi):	2,4 GHz
Výkon RF výstupu:	WiFi: 16,62 dBm (802.11b), 16,23 dBm (802.11g), 16,45 dBm (802.11n20), 16,02 dBm (802.11n40), Bluetooth: 8,31 dBm Bluetooth LE: 6,67 dBm
Množstvo chladiaceho prostriedku:	60 g
Ekvivalent CO ₂ :	0,086 t
Potenciál globálneho otepľovania (GWP):	1430
Rozmery (Š × V × H) v mm (vrátane rukoväti):	962 × 530 × 472
Hmotnosť:	29,6 kg

Chladiaci obvod obsahuje R134a.

Tento výrobok obsahuje fluórované skleníkové plyny.

Chladiaci agregát je hermeticky uzavretý.

Rádiové zariadenie Dometic CFX3 25 až CFX3 100 vyhovuje požiadavkám smernice 2014/53/EÚ. Vyhlásenie o zhode k zariadeniu nájdete na stránke documents.dometic.com.

Pečlivě si prosím přečtěte a dodržujte všechny pokyny, směrnice a varování obsažené v tomto návodu k výrobku, abyste měli jistotu, že výrobek budete vždy správně instalovat, používat a udržovat. Tyto pokyny MUSÍ být uchovávány v blízkosti výrobku.

Používáním výrobku tímto potvrzujete, že jste si pečlivě přečetli všechny pokyny, směrnice a varování a že rozumíte podmínkám uvedeným v tomto dokumentu a souhlasíte s nimi. Souhlasíte s používáním tohoto výrobku pouze k určenému účelu a použití a v souladu s pokyny, směrnicemi a varováními uvedenými v tomto návodu k výrobku a v souladu se všemi příslušnými zákony a předpisy. Pokud si nepřečtete a nebudete dodržovat zde uvedené pokyny a varování, může to vést ke zranění vás i ostatních, poškození vašeho výrobku nebo poškození jiného majetku v okolí. Tento návod k výrobku, včetně pokynů, směrnic a varování a související dokumentace může být předmětem změn a aktualizací. Aktuální informace o výrobku naleznete na documents.dometic.com, dometic.com.

Obsah

1	Vysvětlení symbolů	408
2	Bezpečnostní pokyny	409
3	Obsah dodávky	412
4	Příslušenství	412
5	Použití v souladu s účelem	413
6	Popis funkce	414
6.1	Funkční rozsah	414
6.2	Ovládací a indikační prvky	415
7	Obsluha	416
7.1	Před prvním použitím	416
7.2	Úspora energie	416
7.3	Změna směru zavírání víka	416
7.4	Připojení chladicího boxu	417
7.5	Použití chladicího boxu	417
7.6	Použití displeje	418
7.7	Uzamčení/odemčení displeje	418
7.8	Výběr jednotek pro zobrazení teploty	419
7.9	Nastavení teploty	419
7.10	Použití ochrany baterie	419
7.11	Nastavení jasu displeje	419
7.12	Zapnutí nebo vypnutí příhrádek (pouze CFX 3 75DZ, CFX 3 95DZ)	419
7.13	Používání výrobku ledu (pouze CFX 3 55IM)	420
7.14	Stážení aplikace CFX 3	421
7.15	Nastavení signálu Bluetooth a připojení k aplikaci	421
7.16	Nastavení signálu WiFi a připojení k aplikaci	422
7.17	Změna názvu a hesla CFX v aplikaci	422
7.18	Obnovení hesla aplikace (pouze WiFi)	422

7.19	Reset na tovární nastavení	422
7.20	Přípojka USB k zajištění napájení	422
7.21	Odmrazování chladicího boxu	423
7.22	Výměna pojistky střídavého proudu	423
7.23	Výměna pojistky stejnosměrného proudu	424
7.24	Výměna pojistky stejnosměrné zástrčky	424
7.25	Výměna desky s optickými vodiči	424
8	Čištění a péče	424
9	Odstraňování poruch a závad	425
10	Záruka	428
11	Likvidace	428
12	Technické údaje	429

1 Vysvětlení symbolů



NEBEZPEČÍ!

Bezpečnostní pokyn: Označuje nebezpečnou situaci, která, pokud se jí nezabrání, bude mít za následek smrt nebo vážné zranění.



VÝSTRAHA!

Bezpečnostní pokyn: Označuje nebezpečnou situaci, která, pokud se jí nezabrání, může mít za následek smrt nebo vážné zranění.



UPOZORNĚNÍ!

Bezpečnostní pokyn: Označuje nebezpečnou situaci, která, pokud se jí nezabrání, může mít za následek lehké nebo středně těžké zranění.



POZOR!

Označuje nebezpečnou situaci, která, pokud se jí nezabrání, může mít za následek majetkové škody.



POZNÁMKA

Doplňující informace týkající se obsluhy výrobku.

2 Bezpečnostní pokyny



NEBEZPEČÍ! Nedodržení těchto varování bude mít za následek smrt nebo vážné zranění.

Nebezpečí usmrcení elektrickým proudem

- Na člunech a lodích: Při použití síťového napájení je nezbytné, aby byl napájecí zdroj chráněn spínačem FI.
- Nikdy se nedotýkejte odizolovaných vodičů. To platí především pro provoz přístroje v síti na střídavý proud.
- Před uvedením přístroje do provozu zkontrolujte, zda jsou přívodní kabel a zástrčka suché.



VÝSTRAHA! Nedodržení těchto varování by mohlo mít za následek smrt nebo vážné zranění.

Nebezpečí usmrcení elektrickým proudem

- V případě, že je chladicí přístroj viditelně poškozen, nesmíte ho používat.
- Pokud je přívodní kabel tohoto chladicího přístroje poškozen, musí být vyměněn, aby nevzniklo nebezpečí.
- Opravy tohoto chladicího přístroje smějí provádět pouze kvalifikovaní pracovníci. Nesprávné opravy mohou způsobit značné nebezpečí.
- Přístroj zapojte do zásuvek, které zajišťují správné připojení, zejména pokud je třeba přístroj uzemnit.

Nebezpečí požáru

- Při umístění přístroje se ujistěte, že není zachycen nebo poškozen přívodní kabel.
- Přenosné vícenásobné zásuvky nebo přenosné napájecí zdroje neumísťujte v zadní části přístroje.
- Ventilační otvory na krytu přístroje nebo v montážních konstrukcích udržujte bez překážek.
- K urychlení procesu rozmrazování nepoužívejte žádné mechanické předměty ani jiné prostředky s výjimkou těch, které k tomu byly doporučeny výrobcem.
- Okruh chladiva se nesmí poškodit.

Nebezpečí ohrožení zdraví

- Tento přístroj mohou používat děti od 8 let a osoby se sníženými fyzickými, smyslovými nebo duševními schopnostmi nebo s nedostatečnými zkušenostmi a znalostmi, pokud jsou pod dohledem nebo obdržely pokyny týkající se používání přístroje bezpečným způsobem a porozuměly souvisejícím nebezpečím.
- Děti si s přístrojem nesmí hrát.
- Čištění a běžnou údržbu nesmějí provádět děti bez dozoru.
- Děti ve věku od 3 do 8 let mohou chladicí přístroje plnit a vyprazdňovat.

Nebezpečí výbuchu

- Neskladujte v chladicím přístroji výbušné látky, jako např. spreje s hořlavým hnacím plynem.



UPOZORNĚNÍ! Nedodržení těchto upozornění by mohlo mít za následek lehké nebo střední zranění.

Nebezpečí usmrcení elektrickým proudem

- Odpojte chladicí přístroj od elektrického napájení
 - před každým čištěním a údržbou,
 - po každém použití.

Nebezpečí ohrožení zdraví

Aby se zabránilo kontaminaci potravin, dodržujte prosím následující pokyny:

- Zkontrolujte, zda chladicí výkon přístroje odpovídá požadavkům potravin nebo léčiv, které chcete skladovat.
- Skladujte potraviny pouze v originálním balení nebo ve vhodných nádobách.
- Otevření chladicího přístroje na delší dobu může způsobit značné zvýšení teploty v přihrádkách přístroje.
- Pravidelně čistěte povrchy, které se mohou dostat do kontaktu s potravinami a přístupnými odtokovými systémy.
- Je-li přístroj ponechán prázdný po dlouhou dobu:
 - Vypněte přístroj.
 - Odmrazte přístroj.
 - Vyčistěte a vysušte přístroj.
 - Nechejte víko otevřené, aby se zabránilo tvorbě plísní uvnitř přístroje.



POZOR! Nebezpečí poškození

- Zkontrolujte, zda údaj o napětí na typovém štítku odpovídá údaji pro zdroje napájení.
- Připojte chladicí přístroj pouze následujícím způsobem:
 - Připojte přívodní kabel na stejnosměrný proud k síti stejnosměrného proudu ve vozidle
 - Nebo přívodní kabel pro střídavý proud k síti střídavého proudu
- Nikdy nevytahujte zástrčku ze zásuvky tahem za kabel.
- Je-li chladicí přístroj připojen do stejnosměrné zásuvky, odpojte chladicí přístroj a jiné spotřebiče od baterie vozidla ještě před připojením rychlonabíjecího zařízení.
- Je-li chladicí přístroj připojen do stejnosměrné zásuvky, odpojte chladicí přístroj nebo jej vypněte, když vypínáte motor. V opačném případě může dojít k vybití baterie vozidla.
- Chladicí přístroj není vhodný k přepravě leptavých látek nebo látek s obsahem rozpouštědel.
- Izolace chladicího přístroje obsahuje hořlavý cyklopentan a vyžaduje speciální postupy likvidace. Chladicí přístroj odevzdejte na konci jeho životního cyklu do vhodného střediska pro recyklaci.
- Nepoužívejte uvnitř chladicího přístroje žádné elektrické přístroje, pouze pokud jsou k tomu takové přístroje doporučeny výrobcem.
- Chladicí přístroj neinstalujte v blízkosti otevřeného ohně nebo jiných tepelných zdrojů (topení, přímé sluneční záření, plynová kamna apod.).
- **Riziko přehřátí!**
Zajistěte, aby bylo vždy kolem chladicího zařízení ze všech čtyř stran alespoň 50 mm volného místa k větrání. Větrací prostor udržujte volný bez jakýchkoli předmětů, které by mohly překážet proudu vzduchu a zabránit tak chlazení součástí zařízení.
Chladicí zařízení neumísťujte do uzavřených schránek nebo prostor, kde nemůže proudit vzduch.
- Pamatujte, že nesmějí být zakryty větrací otvory.
- Do vnitřní nádoby nelijte žádné kapaliny ani do ní nedávejte led.
- Nikdy neponořujte chladicí přístroj do vody.
- Chladicí přístroj a kabely chraňte před horkem a vlhkem.
- Přístroj nesmí být vystaven dešti.

3 Obsah dodávky

Položka na obr. 1, strana 3	Počet	Popis
1	1	Chladicí box
2	1	Přívodní kabel pro přípojku stejnosměrného proudu
3	1	Přívodní kabel pro přípojku střídavého proudu

4 Příslušenství

Dostupné jako příslušenství (není součástí dodávky):

Označení	Č. výr.	Model
Ochranný kryt		
CFX3 25PC	9600028749	CFX3 25
CFX3 35PC	9600028455	CFX3 35
CFX3 45PC	9600028456	CFX3 45
CFX3 55PC	9600028457	CFX3 55
		CFX3 55IM
CFX3 75PC	9600028458	CFX3 75DZ
CFX3 95PC	9600028459	CFX3 95DZ
CFX3 100PC	9600028460	CFX3 100
Lyžina na lednici		
CFX3 SLD3545	9600028548	CFX3 35
		CFX3 45
CFX3 SLD55	9600028549	CFX3 55
		CFX3 55IM
CFX3 SLD75	9600028550	CFX3 75DZ
CFX3 SLD95100	9600028551	CFX3 95DZ
		CFX3 100

Označení	Č. výr.	Model
Aplikace CFX3	–	vyhovuje všem modelům
PLB40	9600012878	vyhovuje všem modelům

Upozorňujeme, že aplikace CFX3 nemusí být ve vaší zemi dostupná.

5 Použití v souladu s účelem

Chladicí box je vhodný pro chlazení potravin. Lze ho používat i ve vozidlech. Chladicí box je navržen tak, aby mohl být provozován ze zásuvky stejnosměrného proudu vozidla nebo napájení střídavého proudu.

Chladicí box je vhodný i pro použití v kempech.

Chladicí box je určen k použití v domácnosti apod., jako jsou např.

- kuchyňky pro personál v obchodech, kancelářích a jiných pracovních prostorech,
- farmy,
- klienti v hotelech, motelech a jiných prostředích rezidenčního typu,
- ubytovací zařízení typu bed and breakfast,
- cateringové a jiné nebytové aplikace.

Chladicí box **není** vhodný pro:

- skladování žíravých, leptavých nebo rozpouštědla obsahujících látek

Tento chladicí box je vhodný pouze k určenému účelu a použití v souladu s tímto návodem.

Tento návod poskytuje informace, které jsou nezbytné pro řádnou instalaci a/nebo provoz chladicího boxu. Nedostatečná instalace a/nebo nesprávný provoz či údržba povedou k neuspokojivému výkonu a možné závadě.

Výrobce nepřijímá žádnou odpovědnost za jakékoli zranění nebo poškození výrobku vyplývající z následujících:

- Nesprávné sestavení nebo připojení včetně nadměrného napětí
- Nesprávná údržba nebo použití jiných náhradních dílů než původních dílů dodaných výrobcem
- Změna výrobku bez výslovného souhlasu výrobce

- Použití k jiným účelům, než jsou popsány v tomto návodu

Společnost Dometic si vyhrazuje právo změnit vzhled a specifikace výrobku.

6 Popis funkce

Chlazení je provedeno pomocí chladicího okruhu s kompresorem s nízkými nároky na údržbu. Velkorysá izolace a výkonný kompresor zajišťují účinné a rychlé chlazení.

Chladicí box je vhodný k mobilnímu využití.

Chladicí box dokáže odolat krátkodobému sklonu 30°.

6.1 Funkční rozsah

- Síťový zdroj k prioritnímu spínání k připojení ke střídavému napětí
- Třístupňová ochrana baterie k ochraně baterie vozidla
- Displej se zobrazováním teploty ve °C a °F
- Nastavení teploty v krocích po 1 °C (1 °F)
- Integrovaná funkce WiFi a Bluetooth je tedy ovladatelná pomocí aplikace
- Sklopné rukojeti
- USB nabíječka pro přenosná zařízení, jako jsou mobilní telefony
- Odnímatelný vnitřní koš
- **Pouze CFX3 55IM:** Výrobník ledu

6.2 Ovládací a indikační prvky

Západka pro víko: obr. 2 1, strana 3

Ovládací panel (obr. 3, strana 4):

Položka	Popis	Vysvětlení
1		Po krátkém stisknutí tlačítka se chladicí box zapne Po stisknutí tlačítka na tři sekundy se chladicí box vypne Vrátí se do předchozí nabídky
2	Displej	Zobrazí informace ac : Přípojka na střídavý proud je připojena dcv : Přípojka na stejnosměrný proud je připojena  : Bluetooth je aktivováno  : WiFi je aktivováno  : Displej je uzamčen  : Kompressor pracuje  : Výrobník ledu pracuje (pouze CFX3 55IM)
3		Stisknutím  přejdete nahoru nebo zvýšíte vybranou hodnotu. Stisknutím  přejdete dolů nebo snížíte vybranou hodnotu. Stisknutím  a  současně na 3 s uzamknete nebo odemknete displej.
4		Stisknutím tlačítka vyberete nabídku nebo uložíte vybranou hodnotu.

Přívodní zdířky (obr. 4, strana 4):

Položka	Popis
1	Přívodní zdířka napájení střídavým napětím
2	Přívodní zdířka napájení stejnosměrným napětím
3	Držák pojistky stejnosměrného proudu
4	Držák pojistky střídavého proudu

7 Obsluha

Abyste zabránili odpadu z potravin, dbejte následujícího:

- Udržujte výkyvy teploty co nejnižší. Chladicí přístroj otevírejte pouze na nezbytně nutnou dobu. Potraviny skladujte takovým způsobem, aby vzduch mohl stále dobře cirkulovat.
- Teplotu nastavte podle množství a typu potravin.
- Potraviny mohou snadno pohlcovat nebo uvolňovat zápach nebo vůni. Potraviny vždy uchovávejte zakryté nebo v uzavřených nádobách/lahvích.

7.1 Před prvním použitím



POZNÁMKA

Dříve než uvedete nový chladicí box do provozu, musíte jej z hygienických důvodů očistit vlhkou utěrkou jak zevnitř, tak zevně (viz též kap. „Čištění a péče“ na straně 424).

7.2 Úspora energie

- Zvolte dobře větrané místo, které je chráněno před přímým slunečním zářením.
- Teplé pokrmy nechejte před uložením do chladicího přístroje vychladnout.
- Neotevírejte chladicí přístroj častěji, než je nezbytně nutné.
- Nenechávejte chladicí přístroj otevřený déle, než je nutné.
- Pokud je chladicí box vybavený zásobníkem: Pro optimální spotřebu elektrické energie umístěte zásobník podle polohy při dodání.
- Pravidelně ověřujte, že těsnění víka stále řádně sedí.

7.3 Změna směru zavírání víka

CFX3 55, CFX3 55IM, CFX3 100

- ▶ Postupujte podle obrázku (obr. **5**, strana 5).

CFX3 75DZ, CFX3 95DZ

- ▶ Postupujte podle obrázku (obr. **6**, strana 6).

7.4 Připojení chladicího boxu



POZOR! Nebezpečí poškození

- K ochraně zařízení obsahuje dodaný kabel stejnosměrného proudu pojistku uvnitř zástrčky. **Neodstraňujte** zástrčku stejnosměrného proudu s pojistkou.
Používejte pouze dodaný kabel stejnosměrného proudu.
- Odpojte chladicí box a jiné spotřebiče od baterie dříve, než připojíte baterii k rychlonabíječce.
Přepětí může poškodit elektronické systémy přístrojů.

Připojení k baterii

- Postupujte podle obrázku (obr. **7**, strana 7).

Připojení přes rozšířené pevné zapojení stejnosměrného proudu (pouze CFX 3 100)

- Postupujte podle obrázku (obr. **8**, strana 8).

Připojení k napájecí síti střídavého proudu



NEBEZPEČÍ! Nebezpečí usmrcení elektrickým proudem

- Nikdy nemanipulujte se zástrčkami a spínači s mokřkýma rukama nebo pokud stojíte v moku.
- Pokud používáte chladicí box na palubě lodi, která je připojena k napájecí síti střídavého proudu, musíte vždy instalovat mezi napájení střídavého proudu a chladicí box proudový chránič.
Poradte se s odborníkem.

- Postupujte podle obrázku (obr. **9**, strana 9).

7.5 Použití chladicího boxu



POZOR! Riziko přehřátí

Vždy zajistěte dostatečné větrání, aby se teplo vytvářené během provozu mohlo rozptýlit. Pamatujte, že nesmí být zakryty větrací otvory. Zajistěte, aby byl chladicí přístroj postaven v dostatečné vzdálenosti od stěn nebo předmětů tak, aby mohl vzduch cirkulovat.



POZNÁMKA

Při provozu na baterii se displej automaticky vypne, je-li napětí baterie nízké.

- Zapnutí chladicího boxu: obr. **10**, strana 9
- Vypnutí chladicího boxu: obr. **11**, strana 10

7.6 Použití displeje

Stavy displeje (obr. **12**, strana 10)

Položka	Popis
A	Pohotovostní režim
B	Nečinnost
C	Uzamčen

Přehled displeje: obr. **13**, strana 11

Navigace nabídkami

Zvýrazněná nabídka je vybrána.

- ▶ Stisknutím  přejdete nahoru.
- ▶ Stisknutím  přejdete dolů.

Výběr nabídky

- ▶ Stisknutím  vyberete požadovanou nabídku.

Změna nastavení

Je vybrána zvýrazněná hodnota nebo nastavení.

- ▶ Stisknutím  zvýšíte vybranou hodnotu nebo zvolíte předchozí nastavení.
- ▶ Stisknutím  snížíte vybranou hodnotu nebo zvolíte další nastavení.

Návrat do předchozí nabídky

- ▶ Stisknutím  se vrátíte do předchozí nabídky bez uložení.

7.7 Uzamčení/odemčení displeje

- ▶ Stisknutím  a  současně na 3 s uzamknete nebo odemknete displej (obr. **14**, strana 11).

7.8 Výběr jednotek pro zobrazení teploty

- Postupujte podle obrázku (obr. **15**, strana 11).

7.9 Nastavení teploty



POZOR! Nebezpečí poškození v případě příliš nízké teploty

Dbejte, aby byly v chladicím boxu skladovány pouze předměty nebo potraviny, které je dovoleno chladit za nastavené teploty.

- Postupujte podle obrázku (obr. **16**, strana 12).

7.10 Použití ochrany baterie

Přístroj je vybaven 3stupňovou ochranou baterie. Ochrana baterie zabráňuje nadměrnému vybití, když je přístroj připojen ke startovací baterii vozidla, nebo maximalizuje použití napájecí baterie.

Pokud chladicí box používáte ve vozidle s vypnutým zapalováním, dojde k samočinnému vypnutí chladicího boxu, jakmile napájecí napětí poklesne pod předem definovanou hodnotu. Chladicí box se opět zapne, jakmile je nabitím baterie dosaženo napětí k opětovnému zapnutí.



POZOR! Nebezpečí poškození

Po vypnutí ochranou baterie nebude baterie již plně nabitá. Vyhněte se opakovanému startování. Zajistěte dobítí baterie.



POZNÁMKA

Pokud je chladicí box napájen ze startovací baterie, vyberte režim ochrany baterie „MEDIUM“ nebo „HIGH“. Pokud je chladicí box připojen k napájecí baterii, ideální je režim ochrany baterie „LOW“.

- Postupujte podle obrázku (obr. **17**, strana 13).

7.11 Nastavení jasu displeje

- Postupujte podle obrázku (obr. **18**, strana 13).

7.12 Zapnutí nebo vypnutí přihrádek (pouze CFX3 75DZ, CFX3 95DZ)

Každou zónu můžete aktivovat jednotlivě nebo obě najednou.

- ▶ Postupujte podle obrázku (obr. **19**, strana 14).

7.13 Používání výrobniku ledu (pouze CFX 3 55IM)



POZNÁMKA

- Nezávisle na nastavení teploty v hlavní přihrádce je zóna výrobniku ledu, je-li zapnutý, navržena pro výrobu kostek ledu.
- Spotřeba energie chladicího boxu se zvyšuje se zapnutým výrobníkem ledu. Proto byste měli výrobník ledu vypnout, pokud jej nepotřebujete.
- Tovární nastavení pro výrobník ledu je VYPNUTO.

- ▶ Postupujte podle obrázku (obr. **20**, strana 14).

Plnění forem na led vodou

- ▶ Vyjměte formy na led (obr. **21** 1, strana 15) z pouzdra výrobniku ledu (obr. **21** 2, strana 15).
- ▶ Sejměte kryty forem na led, naplňte je čistou vodou a znovu nasadte kryt, přičemž dbejte na zatlačení okrajového těsnění po celém obvodu.
- ▶ Formy na led opět umístěte do pouzdra výrobniku ledu a zavřete víko.



POZNÁMKA

Osušte případně rozlitou vodu pod formami na led. Tím se sníží tvorba ledu pod formami a usnadní se vyjímání.

Vyjímání kostek ledu

- ▶ Otevřete víko pouzdra výrobniku ledu a zvedněte formy na led za přední část dole.



POZNÁMKA

V podmínkách vysoké vlhkosti může vyjímání vyžadovat více síly obou rukou, protože led může být přimrzlý pod formami na led.

- ▶ Sejměte kryty forem na led a kostky ledu uvolněte obrácením forem.

Vyjmutí pouzdra výrobniku ledu

Pouzdro výrobniku ledu lze vyjmout za účelem čištění, nebo pokud se nepoužívá, pro zvětšení užitečného prostoru uvnitř chladicího boxu.

- ▶ Zvedněte pouzdro na jednom konci, dokud se západka neuvolní, a poté ho vyjměte.

- ▶ Vložte jej zpět v obráceném pořadí zatlačením západek dolů, aby zaskočily na místo.

Tipy k používání výrobku ledu

- Výrobek ledu po zapnutí vyrobí led rychle na několik hodin a poté automaticky přejde do režimu udržování ledu, aby se snížila spotřeba energie. Pokud je třeba co nejrychleji více dávek ledu, vypnutím a opětovným zapnutím výrobku ledu se nastaví zpět do režimu rychlé výroby ledu. Opakujte podle potřeby.
- Nastavení nízké teploty v mrazicím prostoru nemusí být při vysokých okolních teplotách se zapnutým výrobníkem ledu udrženo.

Čištění a vysoušení výrobku ledu

- ▶ Pokud se výrobek ledu nepoužívá, vyčistěte a vysušte formy na led a vnitřek pouzdra výrobku ledu, aby se zabránilo vzniku plísně.
- ▶ Po delším období nepoužívání vyčistěte vnitřek forem na led jemným mycím prostředkem na nádobí a před použitím vypláchněte čistou vodou.

7.14 Stažení aplikace CFX 3

Chladicí box lze sledovat a ovládat pomocí Bluetooth nebo WiFi prostřednictvím aplikace, kterou můžete nainstalovat na kompatibilní zařízení.

- ▶ Stáhněte si aplikaci CFX 3 z obchodu App Store nebo Google Play:



Upozorňujeme, že aplikace CFX 3 nemusí být ve vaší zemi dostupná.

7.15 Nastavení signálu Bluetooth a připojení k aplikaci

Chladicí box lze sledovat a ovládat pomocí Bluetooth. Chcete-li to provést, musíte chladicí box spárovat se zařízením Bluetooth.



POZNÁMKA

- Párování musí být provedeno v aplikaci CFX3, nikoli v nastavení zařízení.
- Pro připojení Bluetooth není vyžadováno žádné heslo.

- ▶ Postupujte podle obrázku (obr. 22, strana 15).

7.16 Nastavení signálu WiFi a připojení k aplikaci

Chladicí box lze sledovat a ovládat pomocí WiFi direct v chladicím boxu nebo přes síť WiFi.

- ▶ WiFi zapněte podle obrázku (obr. **23**, strana 16).
- ▶ V případě připojení WiFi direct v chladicím boxu přejděte do nastavení zařízení a vyberte chladicí box.
 - Název WiFi vašeho chladicího boxu začíná „CFX3“.
 - Přednastavené heslo je „**00000000**“.
 - Název WiFi a heslo si můžete přizpůsobit v aplikaci CFX3.



POZNÁMKA

Pro připojení přes síť WiFi přejděte v NASTAVENÍ aplikace k „síťovému připojení“.

7.17 Změna názvu a hesla CFX v aplikaci

- Název CFX v aplikaci si můžete přizpůsobit.
- Stejný název platí pro Bluetooth i WiFi.
- V aplikaci si také můžete přizpůsobit své heslo – platí pouze pro WiFi.
- ▶ V NASTAVENÍ aplikaci přejděte na „Název a heslo CFX“.

7.18 Obnovení hesla aplikace (pouze WiFi)

Heslo aplikace můžete obnovit na tovární nastavení „**00000000**“.

- ▶ Postupujte podle obrázku (obr. **23**, strana 16).

7.19 Reset na tovární nastavení

Resetovací funkce změní všechna pole nabídek displeje a aplikace na původní tovární nastavení.

- ▶ Postupujte podle obrázku (obr. **24**, strana 16).

7.20 Přípojka USB k zajištění napájení

Port USB můžete použít k nabíjení drobných spotřebičů, např. mobilních telefonů a MP3 přehrávačů.

**POZNÁMKA**

Zkontrolujte, zda je drobný spotřebič připojený k portu USB vhodný k provozu s napájením 5 V/2 A.

- Postupujte podle obrázku (obr. **26**, strana 17).

7.21 Odmrazování chladicího boxu

Vzdušná vlhkost se může srážet uvnitř chladicího přístroje nebo na výparníku. Tím se snižuje chladicí výkon. Vyhněte se tomu včasným odmrazením přístroje.

**POZOR! Nebezpečí poškození**

Nepoužívejte k odstraňování ledu nebo k uvolňování přimrzlých předmětů špičaté nástroje.

Při rozmrazování chladicího boxu postupujte takto:

- Vymějte obsah z chladicího boxu.
- Uložte jej případně do jiného chladicího přístroje, aby zůstal v chladu.
- Vypněte přístroj.
- Nechejte víko otevřené.
- Otřete odmrazenou vodu.

7.22 Výměna pojistky střídavého proudu

**NEBEZPEČÍ! Nebezpečí usmrcení elektrickým proudem**

Před výměnou pojistek přístroje odpojte napájení a přívodní kabel.

- Odpojte přístroj od napájení.
- Vytáhněte přívodní kabel.
- Uvolněte držák pojistek (obr. **4** 4, strana 4) šroubovákem.
- Vyměňte vadnou skleněnou pojistku za novou stejného typu a se stejnou hodnotou (rychločinná, 4 A, 250 V).
- Zatlačte držák pojistek opět do krytu.
- Opět připojte napájení k přístroji.

7.23 Výměna pojistky stejnosměrného proudu

- ▶ Uvolněte kryt pojistek (obr. 4 3, strana 4) šroubovákem.
- ▶ Obráťte kryt pojistky a použijte háček k odstranění vadné nožové pojistky.
- ▶ Zatlačte novou pojistku stejného typu a jmenovité hodnoty.
- ▶ Znovu nasad'te kryt pojistky.

7.24 Výměna pojistky stejnosměrné zástrčky

- ▶ Vyměňte vadnou pojistku za novou stejného typu a jmenovité hodnoty.
- ▶ Postupujte podle obrázku (obr. 27, strana 17).

7.25 Výměna desky s optickými vodiči



POZOR! Nebezpečí poškození

Osvětlení může vyměnit pouze výrobce, zástupce servisu nebo podobně kvalifikovaná osoba, aby se zamezilo nebezpečí.

8 Čištění a péče



POZOR! Nebezpečí poškození

- Nikdy nečistěte chladicí přístroj pod tekoucí vodou nebo ve vodní lázni.
- K čištění nepoužívejte čisticí písky nebo tvrdé předměty, může dojít k poškození chladničky.

- ▶ Pokud je to nutné, očistěte chladicí přístroj zevnitř a zvenčí vlhkým hadříkem.
- ▶ Zajistěte, aby nebyly větrací a odvodušňovací otvory přístroje zaprášené a znečištěné. Tím může být teplo vznikající za provozu odváděno a nedojde k poškození přístroje.

9 Odstraňování poruch a závad

Porucha	Možná příčina	Návrh řešení
Přístroj nefunguje (režim stejnosměrného proudu, zapnuté zapalování).	V zásuvce stejnosměrného proudu nebylo zjištěno žádné napětí.	U většiny vozidel musí být před přivedením napájení do zásuvky stejnosměrného proudu zapnuto zapalování.
	Zásuvka stejnosměrného napětí je znečištěná. Následkem je špatný elektrický kontakt.	Pokud je zástrčka přístroje v zásuvce stejnosměrného proudu velmi horká, buď očistěte zásuvku, nebo zkontrolujte, zda je zástrčka správně namontována.
	Pojistka zástrčky stejnosměrného napájení je přepálená.	Vyměňte pojistku stejnosměrné zásuvky, viz kap. „Výměna pojistky stejnosměrného proudu“ na straně 424.
	Spálená pojistka stejnosměrného proudu přístroje.	Vyměňte pojistku stejnosměrného proudu přístroje, viz kap. „Výměna pojistky stejnosměrného proudu“ na straně 424.
Přístroj nefunguje (režim stejnosměrného proudu).	Pojistka vozidla je přepálená.	Vyměňte pojistku stejnosměrné zásuvky vozidla. Viz návod k obsluze vašeho vozidla.
	Zásuvka na střídavé napětí není pod napětím.	Zkuste to na jiné zásuvce.
	Spálená pojistka střídavého proudu přístroje.	Vyměňte pojistku střídavého proudu přístroje, viz kap. „Výměna pojistky střídavého proudu“ na straně 423.
Displej nereaguje na stisknutí kláves.	Integrovaný adaptér střídavého proudu je vadný.	Opravu může provést pouze autorizované středisko oprav.
	Displej je uzamčen.	Odemkněte displej, viz kap. „Uzamčení/odemčení displeje“ na straně 418.
Aplikace nemůže ovládat přístroj.	Bluetooth nebo WiFi není připojeno.	Připojte Bluetooth, viz kap. „Nastavení signálu Bluetooth a připojení k aplikaci“ na straně 421, nebo připojte WiFi, viz kap. „Nastavení signálu WiFi a připojení k aplikaci“ na straně 422.

Porucha	Možná příčina	Návrh řešení
Na displeji se zobrazí výstražné hlášení nebo varovný kód.	–	Viz tabulka níže.

Výstražná hlášení

Např. viz obr. 25 A, strana 16.

Výstražné hlášení	Popis	Možná příčina	Návrh řešení
!VÝSTRAHA - Víko otevřeno >3 min	Víko otevřené déle než 3 minuty	<ul style="list-style-type: none"> Víko není zcela zajištěno Interní porucha 	<ul style="list-style-type: none"> Zkontrolujte, zda je víko zcela zajištěné Je vyžadována prohlídka autorizovaným opravárenským střediskem
!VÝSTRAHA - Nízké napětí	Přístroj přestal pracovat na stejnosměrném proudu kvůli nízkému napětí	<ul style="list-style-type: none"> Nedostatečné napájecí napětí Napětí baterie je příliš nízké Ochrana baterie je nastavena příliš vysoko 	<ul style="list-style-type: none"> Zkontrolujte pokles napětí z baterie do zásuvky a podle potřeby zvyšte průřez vedení Zkontrolujte baterii a případně ji nabijte Vyberte nižší nastavení ochrany baterie
	Přístroj přestal pracovat na stejnosměrném proudu kvůli abnormálně vysokému napětí >31,5 V (nepravděpodobná událost – pouze pro ochranu elektroniky – používá stejné výstražné hlášení jako nízké napětí výše)	<ul style="list-style-type: none"> Chybná specifikace napětí stejnosměrného proudu Chybné napájecí napětí Interní porucha 	<ul style="list-style-type: none"> Ujistěte se, že specifikace napětí stejnosměrného proudu odpovídá typovému štítku výrobku CFX3 Zkontrolujte napájecí zdroj stejnosměrného proudu a opravte nebo vyměňte, pokud je vadný Je vyžadována prohlídka autorizovaným opravárenským střediskem

Výstražné kódy

Např. viz obr. 25 B, strana 16.

Výstražný kód	Porucha	Možná příčina	Návrh řešení
!VAROVÁNÍ 32	Nadproud ventilátoru	Interní porucha.	Vypněte přístroj alespoň na 5 minut a poté spusťte znovu. Pokud problém přetrvává, je nutná kontrola autorizovaným opravárenským střediskem
!VAROVÁNÍ 33	Chyba startu kompresoru		
!VAROVÁNÍ 34	Nízké otáčky kompresoru	<ul style="list-style-type: none"> • Vysoká okolní teplota 	<ul style="list-style-type: none"> • Vypněte přístroj alespoň na 30 minut nebo se přesuňte na chladnější místo a poté spusťte znovu
!VAROVÁNÍ 35	Přehřátí řídicí jednotky	<ul style="list-style-type: none"> • Odvzdušňovací ventil blokován nebo nedostatečný volný prostor • Interní porucha 	<ul style="list-style-type: none"> • Vyčistěte větrací otvory • Je vyžadována prohlídka autorizovaným opravárenským střediskem
!VAROVÁNÍ 01	NTC rozpojený obvod SZ & DZ LARGE	Interní porucha	Je vyžadována prohlídka autorizovaným opravárenským střediskem
!VAROVÁNÍ 11	NTC rozpojený obvod DZ SMALL		
!VAROVÁNÍ 02	NTC zkrat SZ & DZ LARGE		
!VAROVÁNÍ 12	NTC zkrat DZ SMALL		
!VAROVÁNÍ 09	DZ vadný ventil nebo ventil výrobniku ledu		Vypněte přístroj alespoň na 1 minutu a poté spusťte znovu. Pokud problém přetrvává, je nutná kontrola autorizovaným opravárenským střediskem
!VAROVÁNÍ 03/43	Chyba v komunikaci		

10 Záruka

Na výrobek je poskytována záruka v souladu s platnými zákony. Pokud je výrobek vadný, obraťte se na svého prodejce nebo na pobočku výrobce ve vaší zemi (viz dometic.com/dealer).

K vyřízení opravy a záruky nezapomeňte spolu s výrobkem odeslat následující dokumenty:

- kopii účtenky s datem zakoupení,
- Důvod reklamace nebo popis závady

11 Likvidace



VÝSTRAHA! Nebezpečí uvíznutí dětí

Před likvidací chladicího přístroje:

- Odmontujte víko.
- Nechejte na místě košíky, aby se dovnitř nemohly snadno dostat děti.

Recyklace obalového materiálu



- Obalový materiál likvidujte v odpadu určeném k recyklaci.

Recyklace výrobků s nevyměnitelnými bateriemi, dobíjecími bateriemi nebo světelnými zdroji



- Pokud výrobek obsahuje nevyměnitelné baterie, dobíjecí baterie nebo světelné zdroje, nemusíte je před likvidací odstraňovat.



- Pokud budete chtít výrobek definitivně zlikvidovat, informace o příslušném postupu v souladu s platnými předpisy pro likvidaci vám sdělí místní recyklační středisko nebo specializovaný prodejce.



- Výrobek lze bezplatně zlikvidovat.

12 Technické údaje



POZNÁMKA

Minimální teploty uvedené v části „Chladicí výkon“ nelze dosáhnout, pokud je okolní teplota vyšší než 32 °C (90 °F) u modelů CFX3 25/35/45/55/55IM/100 nebo okolní teplota je vyšší než 30 °C (86 °F) u modelů CFX3 75DZ/95DZ (nastavit nízkou -22 °C/vysokou +4 °C).

Zkouška/certifikáty:



	CFX3 25	CFX3 35
Napájecí napětí:	12/230 voltů \equiv 100–240 V \sim	
Jmenovitý proud:	12 V \equiv : 6,5 A 24 V \equiv : 3,2 A 100 V \sim : 0,90 A 240 V \sim : 0,38 A	12 V \equiv : 7,5 A 24 V \equiv : 3,3 A 100 V \sim : 0,94 A 240 V \sim : 0,39 A
Chladicí výkon:	+20 °C až –22 °C (+68 °F až –8 °F)	
Klimatická třída:	N, T	
Okolní teplota:	+16 °C až +43 °C (+61 °F až +110 °F)	
Nabíjecí port USB:	5 V \equiv , 2 A	
Frekvenční rozsah:	WiFi: 2412 MHz – 2472 MHz/2422 MHz – 2462 MHz Bluetooth/BLE: 2402 MHz–2480 MHz	
Frekvenční pásmo (WiFi):	2,4 GHz	
Výstupní výkon RF:	WiFi: 16,62 dBm (802.11b), 16,23 dBm (802.11g), 16,45 dBm (802.11n20), 16,02 dBm (802.11n40) Bluetooth: 8,31 dBm Bluetooth LE: 6,67 dBm	
Množství chladicího média:	32 g	38 g
Ekvivalent CO ₂ :	0,046 t	0,054 t
Potenciál skleníkových plynů (GWP):	1430	
Rozměry (Š x H x V) v mm (včetně rukojetí):	342 x 569 x 420	398 x 694 x 407
Hmotnost:	12,7 kg	16,9 kg

	CFX3 45	CFX3 55
Napájecí napětí:	12/230 V \equiv 100–240 V \sim	
Jmenovitý proud:	12 V \equiv : 8,2 A 24 V \equiv : 3,5 A 100 V \sim : 0,96 A 240 V \sim : 0,40 A	12 V \equiv : 8,7 A 24 V \equiv : 3,7 A 100 V \sim : 0,98 A 240 V \sim : 0,41 A
Chladicí výkon:	+20 °C až –22 °C (+68 °F až –8 °F)	
Klimatická třída:	N, T	
Okolní teplota:	+16 °C až +43 °C (+61 °F až +110 °F)	
Nabíjecí port USB:	5 V \equiv , 2 A	
Frekvenční rozsah:	WiFi: 2412 MHz – 2472 MHz/2422 MHz – 2462 MHz Bluetooth/BLE: 2402 MHz–2480 MHz	
Frekvenční pásmo (WiFi):	2,4 GHz	
Výstupní výkon RF:	WiFi: 16,62 dBm (802.11b), 16,23 dBm (802.11g), 16,45 dBm (802.11n20), 16,02 dBm (802.11n40) Bluetooth: 8,31 dBm Bluetooth LE: 6,67 dBm	
Množství chladicího média:	42 g	45 g
Ekvivalent CO ₂ :	0,060 t	0,064 t
Potenciál skleníkových plynů (GWP):	1430	
Rozměry (Š x H x V) v mm (včetně rukojetí):	398 x 694 x 476	720 x 455 x 480
Hmotnost:	18,7 kg	20,4 kg

	CFX3 55IM	CFX3 75DZ	CFX3 95DZ
Napájecí napětí:	12/230 V $\overline{=}$ 100–240 V \sim		
Jmenovitý proud:	12 V $\overline{=}$: 8,9 A 24 V $\overline{=}$: 3,8 A 100 V \sim : 1,00 A 240 V \sim : 0,42 A	12 V $\overline{=}$: 9,6 A 24 V $\overline{=}$: 4,2 A 100 V \sim : 1,12 A 240 V \sim : 0,47 A	12 V $\overline{=}$: 10,4 A 24 V $\overline{=}$: 4,6 A 100 V \sim : 1,22 A 240 V \sim : 0,51 A
Chladicí výkon:	+20 °C až –22 °C (+68 °F až –8 °F)		
Klimatická třída:	N, T		
Okolní teplota:	+16 °C až +43 °C (+61 °F až +110 °F)		
Nabíjecí port USB:	5 V $\overline{=}$, 2 A		
Frekvenční rozsah:	WiFi: 2412 MHz – 2472 MHz/2422 MHz – 2462 MHz Bluetooth/BLE: 2402 MHz–2480 MHz		
Frekvenční pásmo (WiFi):	2,4 GHz		
Výstupní výkon RF:	WiFi: 16,62 dBm (802.11b), 16,23 dBm (802.11g), 16,45 dBm (802.11n20), 16,02 dBm (802.11n40) Bluetooth: 8,31 dBm Bluetooth LE: 6,67 dBm		
Množství chladicího média:	45 g	59 g	67 g
Ekvivalent CO ₂ :	0,064 t	0,084 t	0,096 t
Potenciál skleníkových plynů (GWP):	1430		
Rozměry (Š x H x V) v mm (včetně rukojetí):	720 x 455 x 480	892 x 495 x 472	962 x 530 x 472
Hmotnost:	21,3 kg	27,8 kg	29,8 kg

	CFX3 100
Napájecí napětí:	12/230 V=== 100–240 V~
Jmenovitý proud:	12 V===: 10,8 A 24 V===: 4,8 A 100 V~: 1,28 A 240 V: 0,53 A
Chladicí výkon:	+20 °C až –22 °C (+68 °F až –8 °F)
Klimatická třída:	N, T
Okolní teplota:	+16 °C až +43 °C (+61 °F až +110 °F)
USB:	5 V===, 2 A
Frekvenční rozsah:	WiFi: 2412 MHz – 2472 MHz/2422 MHz – 2462 MHz Bluetooth/BLE: 2402 MHz–2480 MHz
Frekvenční pásmo (WiFi):	2,4 GHz
Výstupní výkon RF:	WiFi: 16,62 dBm (802.11b), 16,23 dBm (802.11g), 16,45 dBm (802.11n20), 16,02 dBm (802.11n40) Bluetooth: 8,31 dBm Bluetooth LE: 6,67 dBm
Množství chladicího média:	60 g
Ekvivalent CO ₂ :	0,086 t
Potenciál skleníkových plynů (GWP):	1430
Rozměry (Š x H x V) v mm (včetně rukojetí):	962 x 530 x 472
Hmotnost:	29,6 kg

Chladicí okruh obsahuje médium R134a.

Tento výrobek obsahuje fluorované skleníkové plyny.

Chladicí jednotka je hermeticky utěsněná.

Rádiové zařízení Dometic CFX3 25 až CFX3 100 vyhovuje požadavkům směrnice 2014/53/EU. Prohlášení o shodě pro zařízení najdete na documents.dometic.com.

A termék mindenkor szakszerű telepítése, használata és karbantartása érdekében kérjük figyelmesen olvassa el az ebben a termék kézikönyvben található utasításokat, irányelveket és figyelmeztetéseket, valamint mindig tartsa be ezeket. Ezt az útmutatót a termék közelében KELL tartani.

A termék használatba vételével Ön kijelenti hogy figyelmesen elolvasta az összes utasítást, irányelvet és figyelmeztetést, valamint megértette és elfogadja az itt leírt szerződési feltételeket. Ön elfogadja, hogy kizárólag a rendeltetésének megfelelő célra és a jelen termék kézikönyvben leírt útmutatásoknak, irányelveknek és figyelmeztetéseknek, valamint a hatályos törvényeknek és szabályozásoknak megfelelően használja ezt a terméket. Az itt leírt utasítások és figyelmeztetések elolvasásának és betartásának elmulasztása saját és mások sérüléséhez, a termék vagy a közelben található más anyagi javak károsodásához vezethet. Ez a termék kézikönyv és a benne található utasítások, irányelvek és figyelmeztetések, valamint a kapcsolódó dokumentációk módosulhatnak és frissülhetnek. Naprakész termékinformációk érdekében kérjük látogasson el a következő honlapra: documents.dometic.com, dometic.com.

Tartalom

1	Szimbólumok magyarázata	435
2	Biztonsági útmutatások	436
3	A csomag tartalma	439
4	Tartozékok	439
5	Rendeltetészerű használat	440
6	A működés leírása	441
6.1	Rendelkezésre álló funkciók	441
6.2	Kezelő- és kijelzőelemek	442
7	Kezelés	443
7.1	Az első használat előtt	443
7.2	Energiatakarékosság	443
7.3	A fedél nyitási irányának megfordítása	444
7.4	A hűtőláda csatlakoztatása	444
7.5	A hűtőláda használata	445
7.6	A kijelző használata	445
7.7	A kijelző lezárása/feloldása	446
7.8	A hőmérséklet mértékegységeinek kiválasztása	446
7.9	A hőmérséklet beállítása	446
7.10	Az akkumulátorvédelem használata	446
7.11	A kijelző fényerejének beállítása	447
7.12	A rekeszek be-, vagy kikapcsolása (csak a CFX3 75DZ, CFX3 95DZ modelleknél)	447
7.13	A jégkészítő használata (csak a CFX3 55IM modellnél)	447
7.14	A CFX3 app letöltése	449
7.15	A Bluetooth jel beállítása és csatlakozás az alkalmazáshoz	449
7.16	A WiFi jel beállítása és csatlakozás az alkalmazáshoz	450
7.17	A CFX nevének és jelszavának módosítása az alkalmazásban	450

7.18	Az app jelszavának visszaállítása (csak WiFi)	450
7.19	Gyári beállítások visszaállítása	450
7.20	USB csatlakozó a feszültségellátáshoz	450
7.21	A hűtőláda leolvasztása	451
7.22	A váltakozó áramú biztosíték cseréje	452
7.23	Az egyenáramú biztosíték cseréje	452
7.24	Az egyenáramú dugasz biztosítékának cseréje	452
7.25	A világítás nyomtatott áramkörének cseréje	452
8	Tisztítás és karbantartás	453
9	Hibaelhárítás	453
10	Szavatosság	456
11	Ártalmatlanítás	457
12	Műszaki adatok	457

1 Szimbólumok magyarázata



VESZÉLY!

Biztonsági útmutatás: Veszélyes helyzetet jelöl, amely súlyos sérülést vagy halált okoz, ha nem kerülik el.



FIGYELMEZTETÉS!

Biztonsági útmutatás: Veszélyes helyzetet jelöl, amely súlyos sérülést vagy halált okozhat, ha nem kerülik el.



VIGYÁZAT!

Biztonsági útmutatás: Veszélyes helyzetet jelöl, amely könnyű vagy mérsékelt sérülést okozhat, ha nem kerülik el.



FIGYELEM!

Olyan helyzetet jelöl, amely vagyoni kárt okozhat, ha nem kerülik el.



MEGJEGYZÉS

A termék kezelésére vonatkozó kiegészítő információk.

2 Biztonsági útmutatások



VESZÉLY! Ezeknek a figyelmeztetéseknek a figyelmen kívül hagyása súlyos vagy halálos sérüléshez vezet.

Áramütés miatti veszély

- Hajóknál: hálózati üzem esetén feltétlenül gondoskodjon arról, hogy az áramellátás FI-relén keresztül legyen biztosítva.
- Soha ne fogjon meg pusztá kézzel csupaszc vezetékeket. Ez mindene-előtt a váltakozó áramú hálózatról történő üzemeltetés során érvényes.
- Üzembe helyezés előtt ügyeljen arra, hogy a vezeték és a dugasz száraz legyen.



FIGYELMEZTETÉS! Ezeknek a figyelmeztetéseknek a figyelmen kívül hagyása súlyos, vagy halálos sérüléshez vezethet.

Áramütés miatti veszély

- Ne használja a hűtőkészüléket, ha az láthatóan megsérült.
- Ha a hűtőkészülék tápkábele megsérült, akkor a biztonsági kockázatok elkerülése érdekében ki kell cserélni ezt.
- Ezen a hűtőkészüléken csak szakember végezhet javításokat. A helytelen javítások jelentős veszélyeket okozhatnak.
- A készüléket olyan aljzatba illessze be, amely biztosítja a megfelelő csatlakozást, különösen akkor, ha a készüléket földelni kell.

Tűzveszély

- A készülék elhelyezésekor ügyeljen arra, hogy ne csípje be és ne károsítsa a tápkábelt.
- Ne helyezzen el több hordozható aljzatot, vagy hordozható tápegységet a készülék hátsó részénél.
- A készülékházban, vagy a beépítési szerkezetben lévő szellőzőnyílásokat tilos eltorlaszolni.
- A leolvasztási művelet felgyorsítására ne használjon mechanikus eszközöket, vagy más anyagokat, kivéve, ha a gyártó ezt javasolja.
- Ne tegyen kárt a hűtőkörben.

Egészségkárosodás veszélye

- A készüléket 8 év feletti gyermekek, valamint korlátozott fizikai, érzékelési és mentális képességű, illetve megfelelő tapasztalattal és tudással nem rendelkező személyek csak felügyelet mellett, illetve a készülék biztonságos használatát és az abból eredő veszélyeket megértve használhatják.

- A készülékkel gyerekek nem játszhatnak.
- A tisztítást és a felhasználói karbantartást felügyelet nélküli gyermekek nem végezhetik.
- A 3 és 8 év közötti gyermekek már kivehetnek és berakhatnak élelmiszereket a hűtőkészülékekbe.

Robbanásveszély

- Tilos a hűtőkészülékben robbanékony anyagokat, például gyúlékony hajtógázt tartalmazó permetpalackokat tárolni.



VIGYÁZAT! Ezeknek a felhívásoknak a figyelmen kívül hagyása könnyű vagy mérsékelt sérüléshez vezethet.

Áramütés miatti veszély

- Válassza le a hűtőkészüléket az áramellátásról
 - minden tisztítás és ápolás előtt
 - minden használat után

Egészségkárosodás veszélye

Az élelmiszer szennyeződésének elkerülése érdekében kérjük tartsa be a következő útmutatásokat:

- Ellenőrizze, hogy a készülék hűtőtéljesítménye megfelel-e a hűteni kívánt élelmiszerek vagy gyógyszerek követelményeinek.
- Élelmiszert csak eredeti csomagolásban vagy megfelelő tárolókban szabad tárolni.
- Ha hosszabb időszakokra kinyitja a hűtőkészüléket, azzal jelentősen megnövekedhet a hőmérséklet a készülék rekeszeiben.
- Tisztítsa meg rendszeresen az élelmiszerral érintkező felületeket és a hozzáférhető lefolyórendszereket.
- Ha hosszú időre üresen hagyja a készüléket:
 - Kapcsolja ki a készüléket.
 - Olvassa le a készüléket.
 - Tisztítsa meg és szárítsa meg a készüléket.
 - A készülék belsejében történő penészképződés érdekében hagyja nyitva a fedelet.



FIGYELEM! Károsodás veszélye

- Ellenőrizze, hogy az adattáblán feltüntetett feszültségadatok megegyeznek-e a rendelkezésre álló energiaellátás adataival.

- A hűtőkészüléket kizárólag a következő módon csatlakoztassa:
 - Az egyenáramú csatlakozókábelrel a jármű egyenáramú hálózatához
 - Vagy egy váltakozó áramú hálózati aljzathoz csatlakoztassa a váltakozó áramú csatlakozókábelt
- Soha ne húzza ki a csatlakozódugót a kábelnél fogva az aljzataból.
- Ha a hűtőkészülék egyenáramú konnektorhoz van csatlakoztatva, a gyorsított készülék csatlakoztatása előtt válassza le a hűtőkészüléket és az egyéb fogyasztókat az akkumulátorról.
- Ha a hűtőkészülék egyenáramú konnektorhoz van csatlakoztatva, a motor leállításakor válassza le a hűtőkészüléket, vagy kapcsolja ki azt. Ellenkező esetben a járműakkumulátor lemerülhet.
- A hűtőkészülék nem alkalmas maró hatású vagy oldószert tartalmazó anyagok szállítására.
- A hűtőkészülék szigetelése gyúlékony ciklopentánt tartalmaz, amely speciális ártalmatlanítási eljárásokat igényel. Élettartama végén megfelelő hulladékkezelő központban adja le a hűtőkészüléket.
- Ne használjon elektromos készülékeket a hűtőkészülék belsejében, kivéve, ha ezeket a készülékeket a gyártó erre a célra javasolja.
- Ne helyezze a hűtőkészüléket nyílt láng vagy más hőforrás (fűtés, erős napsugárzás, gáztűzhely stb.) közelébe.
- **Túlmelegedés kockázata!**

Mindig gondoskodjon arról, hogy a hűtőkészülék mind a négy oldalánál legyen legalább 50 mm-nyi szellőzőrés. Minden olyan tárgyat tartson távol a szellőzőterülettől, amely korlátozná a hűtő szerkezeti elemekhez menő légáramlatot.

Ne helyezze a hűtőkészüléket zárt rekeszekbe vagy olyan területekre, ahol nincs vagy minimális a légáramlás.
- Ügyeljen arra, hogy a szellőzőnyílások ne legyenek lefedve.
- Ne töltsön folyadékokat vagy jeget a belső tartályba.
- Soha ne merítse vízbe a hűtőkészüléket.
- Védje a hűtőkészüléket és a kábeleket a hőtől és a nedvességtől.
- A készüléket ne tegye ki az eső hatásának.

3 A csomag tartalma

Tétel itt:

1. ábra, **Mennyiség** **Leírás**
3. oldal

1	1	Hűtőláda
2	1	Csatlakozókábel egyenáramú csatlakozáshoz
3	1	Csatlakozókábel váltakozó áramú csatlakozáshoz

4 Tartozékok

Tartozékként kapható (nincs mellékelve):

Megnevezés	Cikksz.	Modell
Védőfedél		
CFX3 25PC	9600028749	CFX3 25
CFX3 35PC	9600028455	CFX3 35
CFX3 45PC	9600028456	CFX3 45
CFX3 55PC	9600028457	CFX3 55
		CFX3 55IM
CFX3 75PC	9600028458	CFX3 75DZ
CFX3 95PC	9600028459	CFX3 95DZ
CFX3 100PC	9600028460	CFX3 100
Hűtőszekrény csúszófedél		
CFX3 SLD3545	9600028548	CFX3 35
		CFX3 45
CFX3 SLD55	9600028549	CFX3 55
		CFX3 55IM
CFX3 SLD75	9600028550	CFX3 75DZ
CFX3 SLD95100	9600028551	CFX3 95DZ
		CFX3 100

Megnevezés	Cikksz.	Modell
CFX3 app	–	Az összes modellhez alkalmas
PLB40	9600012878	Az összes modellhez alkalmas

Lehetséges, hogy a CFX3 alkalmazás az Ön országában nem érhető el.

5 Rendeltetésszerű használat

A hűtőláda élelmiszerek hűtésére alkalmas. A hűtőláda járművekben való üzemeltetésre is alkalmas. A hűtőláda járművek egyenáramú tápellátás aljzatáról vagy változó áramú tápellátásról is üzemeltethető.

A hűtőláda kemping használatra is alkalmas.

Ez a hűtőláda háztartási és hasonló környezetekben, például

- üzletek, irodák és egyéb munkahelyek személyzeti konyháiban
- vidéki vendégházakban
- hotelekben, motelekben és más lakóépület típusú környezetekben
- vendégfogadó létesítményekben
- catering és hasonló nem kiskereskedelmi felhasználási területeken alkalmazható

A hűtőláda **nem** alkalmas a következőkre:

- Korrozív, maró hatású vagy oldószert tartalmazó anyagok tárolására

Ez a hűtőláda az itt leírt utasításoknak megfelelő rendeltetésszerű használatra alkalmas.

Ez a kézikönyv olyan információkat nyújt, amelyek a hűtőláda szakszerű telepítéséhez és/vagy üzemeltetéséhez szükségesek. A hibás telepítés és/vagy a szakszerűtlen üzemeltetés vagy karbantartás elégtelen teljesítményhez és potenciálisan meghibásodáshoz vezethet.

A gyártó nem vállal felelősséget a termék olyan károsodásáért, vagy sérülésekért, amelyek a következőkre vezethetők vissza:

- Hibás összeszerelés vagy csatlakoztatás, ideértve a túlfeszültséget is
- Helytelen karbantartás, vagy a gyártó által szállított eredeti cserealkatrészekből eltérő cserealkatrészek használata
- a termék kifejezett gyártói engedély nélküli módosítása

- Az útmutatóban leírt céloktól eltérő felhasználás

A Dometic fenntartja a termék megjelenésének és specifikációjának módosítására vonatkozó jogát.

6 A működés leírása

A hűtést alacsony karbantartási igényű, kompresszorral ellátott hűtőkör teszi lehetővé. A megbízható szigetelés és az erős kompresszor hatékony és gyors hűtésről gondoskodik.

A hűtőláda hordozható.

A hűtőláda rövid ideig 30°-os dőlésszöget is elvisel.

6.1 Rendelkezésre álló funkciók

- Elsőbbségi kapcsolást biztosító hálózati tápegység váltakozó áramú tápellátáshoz való csatlakozáshoz
- Háromfokozatú akkumulátorvédelem a jármű akkumulátorának védelme érdekében
- Kijelző °C vagy °F egységű hőmérséklet-megjelenítéssel
- Hőmérséklet beállítás 1 °C (1 °F) lépésekben
- Beépített WiFi és Bluetooth funkció, így a készülék alkalmazásról is vezérelhető
- Billenthető hordozófogantyú
- USB töltő hordozható készülékek, például mobiltelefonok számára
- Kivehető kosárbetét
- **Csak CFX3 55IM:** Jégkészítő

6.2 Kezelő- és kijelzőelemek

Fedélzár: **2.** ábra , **1, 3. oldal**

Kezelőpanel (3. ábra, **4. oldal):**

Tétel	Leírás	Magyarázat
1		A gomb rövid lenyomásakor bekapcsolja a hűtőládát A gomb három másodpercig történő nyomva tartásakor kikapcsolja a hűtőládát Visszalép az előző menübe
2	Kijelző	Megjeleníti a következő információkat ac : Váltakozó áramú tápellátás csatlakoztatva van dcv : Egyenáramú tápellátás csatlakoztatva van  : Bluetooth aktiválva van  : WiFi aktiválva van  : Kijelző le van zárva  : Kompresszor üzemel  : Jégkészítő üzemel (csak a CFX3 55IM modellnél)
3		A felfelé navigáláshoz, vagy a kiválasztott érték növeléséhez nyomja meg a  elemet. A lefelé navigáláshoz, vagy a kiválasztott érték csökkentéséhez nyomja meg a  elemet. A kijelző zárolásához, vagy a zárolás feloldásához tartsa lenyomva egyszerre 3 másodpercig a  és a  gombokat.
4		Egy menü kiválasztásához, vagy a kiválasztott érték mentéséhez nyomja meg ezt.

Csatlakozóaljzatok (4. ábra, 4. oldal):

Tétel	Leírás
1	Csatlakozóaljzat váltakozó áramú tápellátáshoz
2	Csatlakozóaljzat egyenáramú tápellátáshoz
3	Egyenáramú biztosítéktartó
4	Váltakozó áramú biztosítéktartó

7 Kezelés

Az ételmezterpazarlás elkerülése érdekében vegye figyelembe a következőket:

- Tartsa a lehető legalacsonyabb szinten a hőmérséklet ingadozását. A hűtő ajtaját csak addig tartsa nyitva ameddig ez feltétlenül szükséges. Úgy rendezze el az ételmezsert, hogy a levegő jól tudjon áramolni.
- A hőmérsékletet az ételmezser mennyiségéhez és típusához állítsa be.
- Az ételmezseret könnyen felvesznek vagy kibocsátanak szagokat vagy ízeket. Az ételmezsereteket mindig lefedve vagy zárt edényekben/palackokban tárolja.

7.1 Az első használat előtt

**MEGJEGYZÉS**

Az új hűtőládát az üzembe helyezés előtt – higiéniai okokból – tisztítsa meg nedves ruhával belül és kívül (lásd még: „Tisztítás és karbantartás” fejezet, 453. oldal).

7.2 Energiatakarékosság

- Olyan jól szellőző helyet válasszon ki, amely védve van a közvetlen napsugárzástól.
- Hagyja lehűlni a meleg ételeket, mielőtt azokat hűtés céljára a hűtőkészülékbe helyezné.
- Ne nyissa ki a szükségesnél gyakrabban a hűtőkészülék.
- Ne hagyja nyitva a szükségesnél hosszabb ideig a hűtőkészülék.
- Ha a hűtő rendelkezik kosárral: Az optimális energiafogyasztás érdekében a kosarat a kiszállítási helyzetbe pozícionálja.
- Rendszeresen ellenőrizze, hogy a fedél megfelelően illeszkedik-e.

7.3 A fedél nyitási irányának megfordítása

CFX3 55, CFX3 55IM, CFX3 100

- ▶ Az ábrán bemutatott módon járjon el (**5**. ábra, 5. oldal).

CFX3 75DZ, CFX3 95DZ

- ▶ Az ábrán bemutatott módon járjon el (**6**. ábra, 6. oldal).

7.4 A hűtőláda csatlakoztatása



FIGYELEM! Károsodás veszélye

- A készülék védelme érdekében a csomagban található egyenáramú kábel dugaszának belsejében egy biztosíték található. **Ne** távolítsa el a biztosítékkal rendelkező egyenáramú dugaszt. Csak a mellékelt egyenáramú csatlakozókábelt használja.
- Válassza le a hűtőládát és más fogyasztókat az akkumulátorról, mielőtt az akkumulátort gyorstöltő készülékre csatlakoztatná. A túlfeszültség károsíthatja a készülék elektronikáját.

Csatlakoztatás az akkumulátorra

- ▶ Az ábrán bemutatott módon járjon el (**7**. ábra, 7. oldal).

Csatlakoztatás állandó meghosszabbított egyenáramú huzalozással (csak a CFX3 100 modellnél)

- ▶ Az ábrán bemutatott módon járjon el (**8**. ábra, 8. oldal).

Csatlakoztatás váltakozó áramú hálózathoz



VESZÉLY! Áramütés miatti veszély

- Soha ne dolgozzon dugócsatlakozókkal és kapcsolókkal, ha nedves a keze vagy nedves helyen áll.
- Ha hűtőládáját egy hajó fedélzetén, váltakozó áramú hálózatról üzemelteti, akkor áram-védőkapcsolót kell a váltakozó áramú hálózat és a hűtőláda közé iktatnia. Ilyen esetben kérje szakember tanácsát.

- ▶ Az ábrán bemutatott módon járjon el (**9**. ábra, 9. oldal).

7.5 A hűtőláda használata



FIGYELEM! Túlmelegedés kockázata

Mindig ügyeljen arra, hogy elegendő legyen a szellőzés, így az üzemeltetés közben keletkező hő távozni tud. Ügyeljen arra, hogy a szellőzőnyílások ne legyenek lefedve. A levegő keringtetése érdekében gondoskodjon arról, hogy a készülék megfelelő távolságra legyen a faltól vagy tárgytól.



MEGJEGYZÉS

Akkumulátorral való üzemeltetés esetén a kijelző automatikusan kikapcsol, ha alacsony az akkumulátor feszültsége.

- A hűtőláda bekapcsolása: **10**. ábra, 9. oldal
- A hűtőláda kikapcsolása: **11**. ábra, 10. oldal

7.6 A kijelző használata

Kijelző állapotok (**12**. ábra, 10. oldal)

Tétel	Leírás
A	Készenlét
B	Üresjárt
C	Zárva

A kijelző áttekintése: **13**. ábra, 11. oldal

Navigálás a menükben

Megtörtént a kiemelt menü kiválasztása.

- ▶ Felfelé navigáláshoz nyomja meg a  elemet.
- ▶ Lefelé navigáláshoz nyomja meg a  elemet.

Egy menü kiválasztása

- ▶ A kívánt menü kiválasztásához nyomja meg a  elemet.

Beállítások módosítása

Megtörtént a kiemelt érték vagy beállítás kiválasztása.

- ▶ A kiválasztott érték növeléséhez, vagy az előző beállítás kiválasztásához nyomja meg a \triangle elemet.
- ▶ A kiválasztott érték csökkentéséhez, vagy a következő beállítás kiválasztásához nyomja meg a ∇ elemet.

Visszalépés az előző menübe

- ▶ Az előző menübe mentés nélkül történő visszalépéshez nyomja meg a \leftarrow gombot.

7.7 A kijelző lezárása/feloldása

- ▶ A kijelző zárolásához, vagy a zárolás feloldásához tartsa lenyomva egyszerre 3 másodpercig a \triangle és a ∇ gombokat (14. ábra, 11. oldal).

7.8 A hőmérséklet mértékegységeinek kiválasztása

- ▶ Az ábrán bemutatott módon járjon el (15. ábra, 11. oldal).

7.9 A hőmérséklet beállítása



FIGYELEM! Túl alacsony hőmérséklet miatti károsodás veszélye
Ügyeljen arra, hogy csak olyan tárgyak, ill. áruk legyenek a hűtőkészülékben, amelyek lehűthetők a kiválasztott hőmérsékletre.

- ▶ Az ábrán bemutatott módon járjon el (16. ábra, 12. oldal).

7.10 Az akkumulátorvédelem használata

A készülék 3-fokozatú akkumulátorvédelemmel van ellátva. Az akkumulátorvédelem megakadályozza a túlzott lemerítést abban az esetben, ha a készülék egy jármű indítóakkumulátorhoz csatlakozik, vagy maximalizálja a kiegészítő akkumulátor használatát.

Ha a hűtőládát olyankor üzemelteti, amikor a jármű gyújtása ki van kapcsolva, akkor a hűtőláda automatikusan kikapcsol, amint a tápfeszültség egy beállítható szint alá csökken. Amint az akkumulátor a feltöltés során eléri a visszakapcsoláshoz szükséges feszültséget, a hűtőláda ismét bekapcsol.

**FIGYELEM! Károsodás veszélye**

Az akkumulátorvédelem általi kikapcsolás esetén az akkumulátor teljes töltése már nem biztosított. Kerülje el az ismételt indítást. Gondoskodjon az akkumulátor újratöltéséről.

**MEGJEGYZÉS**

Ha a hűtőládát indítóakkumulátorról használja, akkor válassza a „MEDIUM” vagy a „HIGH” akkumulátorvédelem üzemmódot. Ha a hűtőládát kiegészítő akkumulátorról használja, akkor a „LOW” akkumulátorvédelem üzemmód az ideális.

- Az ábrán bemutatott módon járjon el (17. ábra, 13. oldal).

7.11 A kijelző fényerejének beállítása

- Az ábrán bemutatott módon járjon el (18. ábra, 13. oldal).

7.12 A rekeszek be-, vagy kikapcsolása (csak a CFX 3 75DZ, CFX 3 95DZ modelleknél)

Minden egyes zónát külön, vagy két zónát is aktiválhat.

- Az ábrán bemutatott módon járjon el (19. ábra, 14. oldal).

7.13 A jégkészítő használata (csak a CFX 3 55IM modellnél)

**MEGJEGYZÉS**

- A jégkészítő zóna jégkockák készítésére való, a fő rekesz hőmérsékletbeállításától függetlenül, és akkor működik ha a jégkészítő be van kapcsolva.
- Amikor be van kapcsolva a jégkészítő, akkor a hűtőláda energiafogyasztása megnő. Ezért ha nincs szükség rá, kapcsolja ki a jégkészítőt.
- A jégkészítő gyári beállítása a KI helyzet.

- Az ábrán bemutatott módon járjon el (20. ábra, 14. oldal).

A jégtálcák feltöltése vízzel

- Vegye ki a jégtálcákat (21. ábra 1, 15. oldal) a jégkészítő házából (21. ábra 2, 15. oldal).

- ▶ Vegye le a jégalkák tetőit, töltsse fel ezeket tiszta vízzel és helyezze vissza a tetőket, vigyázva arra hogy a peremeknél körben jól illeszkedjenek.
- ▶ Helyezze vissza a jégalkákat a jégkészítő házába és zárja le fedelet.

**MEGJEGYZÉS**

Törölje fel a jégalkák alól az összes kiömlött vizet. Ez csökkenti a jégalkák alatti jégképződést és megkönnyíti ezek eltávolítását.

A jégkockák eltávolítása

- ▶ Nyissa fel a jégkészítő házát és emelje meg a jégalkák első részét.

**MEGJEGYZÉS**

Nedves környezetben a jégalkák alatt jégréteg képződhet ami megnehezíti az eltávolítást, ekkor két kézzel próbálja meg kivenni a jégalkákat.

- ▶ A jégkockák kipattintásához vegye le a jégalkák tetejét és csavarja meg a tálkákat.

A jégkészítő ház eltávolítása

Tisztítás céljára, vagy ha nincs használatban, a hűtőládában lévő hely növelése érdekében a jégkészítő ház eltávolítható:

- ▶ Emelje fel a ház egyik felét, amíg a fül ki nem ugrik a helyéről, majd távolítsa el a házat.
- ▶ A visszahelyezéskor fordított sorrendben járjon el, nyomja le a füleket, amíg azok a helyükre nem pattannak.

Tanácsok a jégkészítő használatához

- A bekapcsolás után a jégkészítő gyorsan, pár óra alatt elkészíti a jeget és ezt követően az energiafogyasztás csökkentése érdekében a jégmegtartási üzemmódba kapcsol. Ha a lehető leggyorsabban több tétel jégre van szüksége, a jégkészítő ki és bekapcsolásával visszaállíthatja azt gyors jégkészítési üzemmódba. Szükség szerint ismétlje meg a műveletet.
- Magas környezeti hőmérsékleti viszonyok esetén lehetséges hogy bekapcsolt jégkészítővel nem lehet alacsony fagyasztási hőmérsékletet fenntartani a fő rekeszben.

A jégkészítő tisztítása és megszáritása

- ▶ Ha nem használja, akkor a penészedés elkerülése érdekében tisztítsa és szárítsa meg a jégtálcákat és a jégkészítő belső részét.
- ▶ Hosszabb használaton kívüli idő után tisztítsa meg a jégtálcák belsejét kímélő mosogatószerszettel és használat előtt öblítse ki ezeket tiszta vízzel.

7.14 A CFX3 app letöltése

Egy app segítségével, amelyet egy kompatibilis készülékre telepíthet fel, a hűtőláda Bluetooth, vagy WiFi kapcsolaton keresztül figyelhető és vezérelhető.

- ▶ Töltse le a CFX3 alkalmazást az App Store vagy a Google Play áruházból:



Lehetséges, hogy a CFX3 alkalmazás az Ön országában nem érhető el.

7.15 A Bluetooth jel beállítása és csatlakozás az alkalmazáshoz

A hűtőláda Bluetooth kapcsolaton keresztül figyelhető és vezérelhető. Ehhez párosítania kell a hűtőládát Bluetooth készülékével.



MEGJEGYZÉS

- A párosítást a CFX3 alkalmazásban kell elvégezni, nem a készülék beállításában.
- A Bluetooth csatlakozáshoz nincs szükség jelszóra.

- ▶ Az ábrán bemutatott módon járjon el (22. ábra, 15. oldal).

7.16 A WiFi jel beállítása és csatlakozás az alkalmazáshoz

A hűtőláda közvetlen WiFi kapcsolattal, vagy egy WiFi hálózaton keresztül figyelhető és vezérelhető.

- ▶ A WiFi bekapcsolásához az ábrán (23. ábra, 16. oldal) látható módon járjon el.
- ▶ A hűtőládával való közvetlen WiFi kapcsolat létrehozásához lépjen be a készülék beállításokba és válassza ki hűtőládáját.
 - Hűtőládájának WiFi neve „CFX3” karakterekkel kezdődik.
 - Az előre beállított jelszó: „00000000”.
 - A CFX3 alkalmazásban személyre szabhatja a WiFi nevet és a jelszót.



MEGJEGYZÉS

A WiFi hálózaton keresztül történő csatlakozáshoz az app BEÁLLÍTÁSOK menüpontjában lépjen be a „csatlakozás hálózathoz” pontba.

7.17 A CFX nevének és jelszavának módosítása az alkalmazásban

- Az alkalmazásban személyre szabhatja CFX készüléke nevét.
- A Bluetooth és a WiFi is ugyan azt a nevet használja.
- Személyre szabhatja jelszavát is az alkalmazásban - csak a WiFi-re vonatkozik.
- ▶ Az app BEÁLLÍTÁSOK menüpontjában lépjen be a „CFX név és jelszó” pontba.

7.18 Az app jelszavának visszaállítása (csak WiFi)

Visszaállíthatja az app jelszavát a „00000000” gyári beállításra.

- ▶ Az ábrán bemutatott módon járjon el (23. ábra, 16. oldal).

7.19 Gyári beállítások visszaállítása

A visszaállítás funkció az összes kijelző menüt és app mezőt visszaállítja az eredeti gyári beállításokra.

- ▶ Az ábrán bemutatott módon járjon el (24. ábra, 16. oldal).

7.20 USB csatlakozó a feszültségellátáshoz

Az USB csatlakozó kisebb készülékek, például mobiltelefonok és MP3 lejátszók töltéséhez használható.

**MEGJEGYZÉS**

Győződjön meg róla, hogy az USB csatlakozásra csatlakoztatott kisebb készülék alkalmas legyen 5 V / 2 A tápellátású üzemelésre.

- ▶ Az ábrán bemutatott módon járjon el **(26)**. ábra, 17. oldal).

7.21 A hűtőláda leolvasztása

A levegő nedvességtartalma jeget képezhet a hűtőkészülék belső terében vagy az elpárologtatón. Emiatt csökken a hűtési teljesítmény. Ennek elkerülése érdekében olvassza le időben a készüléket.

**FIGYELEM! Károsodás veszélye**

Soha ne használjon kemény vagy hegyes végű eszközöket a jég eltávolításához vagy a fagyott tárgyak lazításához.

A hűtőláda leolvasztásához a következő módon járjon el:

- ▶ Vegyen ki mindent a hűtőládából.
- ▶ Tárolja azokat adott esetben egy másik hűtőkészülékben, hogy hidegen maradjanak.
- ▶ Kapcsolja ki a készüléket.
- ▶ Hagyja nyitva a fedelet.
- ▶ Törölje le a leolvadt vizet.

7.22 A váltakozó áramú biztosíték cseréje



VESZÉLY! Áramütés miatti veszély

A készülék biztosítékának cseréje előtt szüntesse meg az áramellátást és húzza ki a csatlakozókábelt.

- ▶ Szüntesse meg a készülék áramellátását.
- ▶ Húzza ki a csatlakozókábelt.
- ▶ Pattintsa ki a biztosítékbetétet (4. ábra 4, 4. oldal) csavarhúzó segítségével.
- ▶ Cserélje ki a meghibásodott üveg biztosítékot egy ugyanolyan típusú és paraméterű új biztosítékra (gyors működésű, 4 A, 250 V).
- ▶ Pattintsa vissza a biztosítékbetétet a tokozásba.
- ▶ Állítsa helyre a készülék áramellátását.

7.23 Az egyenáramú biztosíték cseréje

- ▶ Pattintsa ki a biztosítékfedelelet (4. ábra 3, 4. oldal) egy csavarhúzó segítségével.
- ▶ Fordítsa meg a biztosítékfedelelet és egy kampóval távolítsa el a meghibásodott lapos biztosítékot.
- ▶ Nyomjon be egy ugyanolyan típusú és paraméterekkel rendelkező biztosítékot.
- ▶ Helyezze vissza a biztosítékfedelelet.

7.24 Az egyenáramú dugasz biztosítékának cseréje

- ▶ Cserélje ki a meghibásodott biztosítékot egy azonos típusú és paraméterekkel rendelkező új biztosítékra.
- ▶ Az ábrán bemutatott módon járjon el (27. ábra, 17. oldal).

7.25 A világítás nyomtatott áramkörének cseréje



FIGYELEM! Károsodás veszélye

A veszélyek elkerülése érdekében csak a gyártó, a szerviz vagy hasonló képességgel rendelkező szolgáltató cserélheti ki az izzót.

8 Tisztítás és karbantartás



FIGYELEM! Károsodás veszélye

- Soha ne tisztítsa a hűtőkészüléket csapvíz alatt vagy mosogatóvízben.
- Ne használjon a tisztításhoz dörzsölő hatású tisztítószereket vagy kemény tárgyakat, mert ezek károsíthatják a hűtőkészüléket.

- Alkalmanként tisztítsa meg a hűtőkészülék belsejét és külsejét nedves kendővel.
- Biztosítsa, hogy a készülék szellőzőnyílásai por- és szennyeződésmentesek legyenek, így az üzem közben keletkező hó távozhat és a készülék nem károsodik.

9 Hibaelhárítás

Hiba	Lehetséges ok	Megoldási javaslat
A készülék nem működik (egyenáramú mód, gyújtás be).	Nincs feszültség az egyenáramú kimenetben.	A legtöbb járműben előbb be kell kapcsolni a gyújtást ahhoz, hogy az egyenáramú kimenet áram alá kerüljön.
	Elszennyeződött az egyenáramú kimenet. Emiatt rossz az elektromos érintkezés.	Ha a készülék dugasa nagyon felmelegszik az egyenáramú kimenetben, akkor vagy az egyenáramú kimenetet kell megtisztítani, vagy esetleg a dugasz van hibásan összeszerelve.
	Kiégett az egyenáramú dugasz biztosítéka.	Cserélje ki az egyenáramú dugasz biztosítékát, lásd: „Az egyenáramú biztosíték cseréje” fejezet, 452. oldal.
	Kiégett a készülék egyenáramú biztosítéka.	Cserélje ki a készülék egyenáramú biztosítékát, lásd: „Az egyenáramú biztosíték cseréje” fejezet, 452. oldal.
	Kiégett a jármű biztosítéka.	Cserélje ki a jármű egyenáramú kimenetének biztosítékát. Vegye figyelembe a jármű kezelési útmutatóját.

Hiba	Lehetséges ok	Megoldási javaslat
A készülék nem működik (váltakozó áramú mód).	A váltakozó áramú aljzatban nincs feszültség.	Próbáljon egy másik aljzatot használni.
	Kiégett a készülék váltakozó áramú biztosítéka.	Cserélje ki a készülék váltakozó áramú biztosítékát, lásd: „A váltakozó áramú biztosíték cseréje” fejelet, 452. oldal.
	A beépített váltakozó áramú tápegység meghibásodott.	A javítást csak engedéllyel rendelkező vevőszolgálat végezheti.
A kijelző nem reagál a billentyűk lenyomására.	A kijelző zárva van.	Oldja fel a kijelzőt, lásd: „A kijelző lezárása/feloldása” fejelet, 446. oldal.
Az app nem vezérli a készüléket.	Nincs csatlakoztatva a Bluetooth, vagy a WiFi.	Csatlakoztassa a Bluetooth hálózatot, lásd: „A Bluetooth jel beállítása és csatlakozás az alkalmazáshoz” fejelet, 449. oldal, vagy csatlakoztassa a WiFi hálózatot, lásd: „A WiFi jel beállítása és csatlakozás az alkalmazáshoz” fejelet, 450. oldal.
A kijelzőn riasztási üzenet, vagy figyelmeztetés kód látható.	–	Lásd az alábbi táblázatban.

Riasztási üzenetek

Pl. lásd: **25.** ábra A, 16. oldal.

Riasztási üzenet	Leírás	Lehetséges ok	Megoldási javaslat
!RIASZTÁS - Fedél nyitva > 3 perc	A fedél 3 percnél hosszabb ideig van nyitva	<ul style="list-style-type: none"> Nincs teljesen lezárva a fedél Belső hiba 	<ul style="list-style-type: none"> Ellenőrizze, hogy a fedél teljesen le van-e zárva Vizsgálta meg a terméket egy hivatalos szervizközponttal

Riasztási üzenet	Leírás	Lehetséges ok	Megoldási javaslat
!RIASZTÁS - Alacsony feszültség	Alacsony feszültség miatt a készülék egyenáramú üzeme leállt	<ul style="list-style-type: none"> Alacsony tápfeszültség Az akkumulátorfeszültség túl alacsony Az akkumulátorvédelem túl magasra van beállítva 	<ul style="list-style-type: none"> Az akkumulátor teljesítménykimenetén engedélyezze a feszültségcsökkenést és szükség esetén növelje a vezeték keresztmetszetét Ellenőrizze és szükség esetén töltsen fel az akkumulátort Válasszon alacsonyabb beállítást az akkumulátorvédelem számára
	A rendellenesen magas feszültség >31,5 V miatt a készülék egyenáramú üzeme leállt (valószínűtlen esemény – csak az elektronika védelmét szolgálja – ugyan ezt a riasztási üzenetet alkalmazza, mint a fenti alacsony feszültség)	<ul style="list-style-type: none"> Nem megfelelő egyenáramú tápfeszültség specifikáció Hibás tápfeszültség Belső hiba 	<ul style="list-style-type: none"> Biztosítsa, hogy az egyenáramú feszültség specifikációja megfelelően a CFX3 termék adattábláján található értéknek Ellenőrizze az egyenáramú feszültségellátást és hiba esetén javítsa meg, vagy cserélje ki Vizsgálta meg a terméket egy hivatalos szervizközponttal

Figyelmeztető kódok

Pl. lásd: **25.** ábra B, 16. oldal.

Figyelmeztető kód	Hiba	Lehetséges ok	Megoldási javaslat
!FIGYELMEZTÉS 32	Ventilátor túláram	Belső hiba.	Legalább 5 percre kapcsolja ki a készüléket majd indítsa újra. Ha a probléma továbbra is fennáll, akkor hivatalos szervizközpont általi kivizsgálásra van szükség
!FIGYELMEZTÉS 33	A kompresszor nem indul el		

Figyelmeztető kód	Hiba	Lehetséges ok	Megoldási javaslat
!FIGYELMEZTETÉS 34	A kompresszor sebessége alacsony	<ul style="list-style-type: none"> Magas környezeti hőmérséklet Szellőzőnyílás eltömődött, vagy nincs megfelelő hézag Belső hiba 	<ul style="list-style-type: none"> Legalább 30 percre kapcsolja ki a készüléket, vagy vigye egy hűvösebb helyre, majd indítsa újra Tisztítsa meg a szellőzőnyílásokat Vizsgáltsa meg a terméket egy hivatalos szervizközponttal
!FIGYELMEZTETÉS 35	A vezérlés túlmelegedett		
!FIGYELMEZTETÉS 01	NTC nyitott áramkör SZ & DZ NAGY	Belső hiba	Vizsgáltsa meg a terméket egy hivatalos szervizközponttal
!FIGYELMEZTETÉS 11	NTC nyitott áramkör DZ KICSI		
!FIGYELMEZTETÉS 02	NTC rövidzárlat SZ & DZ NAGY		
!FIGYELMEZTETÉS 12	NTC rövidzárlat DZ KICSI		
!FIGYELMEZTETÉS 09	Meghibásodott a DZ szelep, vagy a jégkészítő szelep		Legalább 1 percre kapcsolja ki a készüléket majd indítsa újra. Ha a probléma továbbra is fennáll, akkor hivatalos szervizközpont általi kivizsgálásra van szükség
!FIGYELMEZTETÉS 03/43	Kommunikációs hiba		

10 Szavatosság

A termékre a törvény szerinti szavatossági időszak érvényes. Amennyiben a termék meghibásodott, lépjen kapcsolatba a kiskereskedővel, vagy a gyártó helyi képviselőjével (lásd: dometic.com/dealer).

A javításhoz, illetve a garancia intézéséhez a következő dokumentumokat kell mellékelnie a termék beküldésekor:

- A számla vásárlási dátummal rendelkező másolatát
- A reklamáció okát vagy a hibát tartalmazó leírást

11 Ártalmatlanítás



FIGYELMEZTETÉS! Gyermekek beszorulásának kockázata

Régi hűtőkészülékének ártalmatlanítása előtt:

- Szerelje le a fedelet.
- Hagyja a kosarakat a készülékben, így a gyermekek nem tudnak egyszerűen belemászni.

Csomagolóanyagok újrahasznosítása



- ▶ A csomagolóanyagot lehetőleg a megfelelő újrahasznosítható hulladékokhoz tegye.

Nem cserélhető elemeket, akkumulátorokat vagy fényforrásokat tartalmazó termékek újrahasznosítása



- ▶ Ha a termék nem cserélhető elemeket, akkumulátorokat vagy fényforrásokat tartalmaz, azokat nem kell eltávolítani az ártalmatlanítás előtt.



- ▶ A termék végleges üzemén kívül helyezése esetén tájékozódjon a legközelebbi újrahasznosító központban vagy szakkereskedőjénél a vonatkozó ártalmatlanítási előírásokról.



- ▶ A termék ingyenesen ártalmatlanítható.

12 Műszaki adatok



MEGJEGYZÉS

A „hűtési teljesítmény” részben található minimális hőmérséklet nem érhető el, ha a CFX3 25/35/45/55/55IM/100 modellek esetében a környezeti hőmérséklet 32 °C (90 °F) felett van, vagy a CFX3 75DZ/95DZ modellek esetében 30 °C (86 °F) felett van (alacsony beállítás: -22 °C/magas beállítás: +4 °C).

Vizsgálat / tanúsítványok:



	CFX3 25	CFX3 35
Csatlakozási feszültség:	12 / 230 V \equiv 100–240 V \sim	
Névleges áramerősség:	12 V \equiv : 6,5 A 24 V \equiv : 3,2 A 100 V \sim : 0,90 A 240 V \sim : 0,38 A	12 V \equiv : 7,5 A 24 V \equiv : 3,3 A 100 V \sim : 0,94 A 240 V \sim : 0,39 A
Hűtési teljesítmény:	+20 °C és –22 °C között (+68 °F és –8 °F között)	
Klímaosztály:	N, T	
Környezeti hőmérséklet:	+16 °C és +43 °C között (+61 °F és +110 °F között)	
USB töltőport:	5 V \equiv , 2 A	
Frekvenciatartomány:	WiFi: 2412 MHz – 2472 MHz / 2422 MHz – 2462 MHz Bluetooth/BLE: 2402 MHz – 2480 MHz	
Frekvenciasáv (WiFi):	2,4 GHz	
RF kimeneti teljesítmény:	WiFi: 16,62 dBm (802.11b), 16,23 dBm (802.11g), 16,45 dBm (802.11n20), 16,02 dBm (802.11n40) Bluetooth: 8,31 dBm Bluetooth LE: 6,67 dBm	
Hűtőközeg mennyisége:	32 g	38 g
CO ₂ egyenérték:	0,046 t	0,054 t
Üvegház-potenciál (GWP):	1430	
Méreték (Sz x Mé x Ma) mm-ben (fogantyúkkal együtt):	342 x 569 x 420	398 x 694 x 407
Súly:	12,7 kg	16,9 kg

	CFX 3 45	CFX3 55
Csatlakozási feszültség:	12 / 230 V \equiv 100–240 V \sim	
Névleges áramerősség:	12 V \equiv : 8,2 A 24 V \equiv : 3,5 A 100 V \sim : 0,96 A 240 V \sim : 0,40 A	12 V \equiv : 8,7 A 24 V \equiv : 3,7 A 100 V \sim : 0,98 A 240 V \sim : 0,41 A
Hűtési teljesítmény:	+20 °C és –22 °C között (+68 °F és –8 °F között)	
Klímaosztály:	N, T	
Környezeti hőmérséklet:	+16 °C és +43 °C között (+61 °F és +110 °F között)	
USB töltőport:	5 V \equiv , 2 A	
Frekvenciatartomány:	WiFi: 2412 MHz – 2472 MHz / 2422 MHz – 2462 MHz Bluetooth/BLE: 2402 MHz – 2480 MHz	
Frekvenciasáv (WiFi):	2,4 GHz	
RF kimeneti teljesítmény:	WiFi: 16,62 dBm (802.11b), 16,23 dBm (802.11g), 16,45 dBm (802.11n20), 16,02 dBm (802.11n40) Bluetooth: 8,31 dBm Bluetooth LE: 6,67 dBm	
Hűtőközeg mennyisége:	42 g	45 g
CO ₂ egyenérték:	0,060 t	0,064 t
Üvegház-potenciál (GWP):	1430	
Méreték (Sz x Mé x Ma) mm-ben (fogantyúkkal együtt):	398 x 694 x 476	720 x 455 x 480
Súly:	18,7 kg	20,4 kg

	CFX3 55IM	CFX3 75DZ	CFX3 95DZ
Csatlakozási feszültség:	12 / 230 V=== 100–240 V~		
Névleges áramerősség:	12 V===: 8,9 A 24 V===: 3,8 A 100 V~: 1,00 A 240 V~: 0,42 A	12 V===: 9,6 A 24 V===: 4,2 A 100 V~: 1,12 A 240 V~: 0,47 A	12 V===: 10,4 A 24 V===: 4,6 A 100 V~: 1,22 A 240 V~: 0,51 A
Hűtési teljesítmény:	+20 °C és -22 °C között (+68 °F és -8 °F között)		
Klímaosztály:	N, T		
Környezeti hőmérséklet:	+16 °C és +43 °C között (+61 °F és +110 °F között)		
USB töltőport:	5 V===, 2 A		
Frekvenciatartomány:	WiFi: 2412 MHz – 2472 MHz / 2422 MHz – 2462 MHz Bluetooth/BLE: 2402 MHz – 2480 MHz		
Frekvenciasáv (WiFi):	2,4 GHz		
RF kimeneti teljesítmény:	WiFi: 16,62 dBm (802.11b), 16,23 dBm (802.11g), 16,45 dBm (802.11n20), 16,02 dBm (802.11n40) Bluetooth: 8,31 dBm Bluetooth LE: 6,67 dBm		
Hűtőközeg mennyisége:	45 g	59 g	67 g
CO ₂ egyenérték:	0,064 t	0,084 t	0,096 t
Üvegház-potenciál (GWP):	1430		
Méreték (Sz x Mé x Ma) mm-ben (fogantyúkkal együtt):	720 x 455 x 480	892 x 495 x 472	962 x 530 x 472
Súly:	21,3 kg	27,8 kg	29,8 kg

	CFX3 100
Csatlakozási feszültség:	12 / 230 V=== 100–240 V~
Névleges áramerősség:	12 V===: 10,8 A 24 V===: 4,8 A 100 V~: 1,28 A 240 V: 0,53 A
Hűtési teljesítmény:	+20 °C és -22 °C között (+68 °F és -8 °F között)
Klímaosztály:	N, T
Környezeti hőmérséklet:	+16 °C és +43 °C között (+61 °F és +110 °F között)
USB:	5 V===, 2 A
Frekvenciatartomány:	WiFi: 2412 MHz – 2472 MHz / 2422 MHz – 2462 MHz Bluetooth/BLE: 2402 MHz – 2480 MHz
Frekvenciasáv (WiFi):	2,4 GHz
RF kimeneti teljesítmény:	WiFi: 16,62 dBm (802.11b), 16,23 dBm (802.11g), 16,45 dBm (802.11n20), 16,02 dBm (802.11n40) Bluetooth: 8,31 dBm Bluetooth LE: 6,67 dBm
Hűtőközeg mennyisége:	60 g
CO ₂ egyenérték:	0,086 t
Üvegház-potenciál (GWP):	1430
Méreték (Sz x Mé x Ma) mm-ben (fogantyúkkal együtt):	962 x 530 x 472
Súly:	29,6 kg

A hűtőkör R134a közeget tartalmaz.

Ez a termék fluorozott üvegházhatású gázokat tartalmaz.

A hűtőegység hermetikusan le van zárva.

A Dometic CFX3 25 - CFX3 100 rádiófrekvenciás berendezés megfelel a 2014/53/EU irányelv követelményeinek. A készülék megfelelőségi nyilatkozatát a documents.dometic.com honlapon találhatja meg.

يُرجى قراءة هذه التعليمات، والإرشادات، والتحذيرات الواردة في دليل المنتج المشار إليه واتباعها بعناية للتأكد من تركيب المنتج، واستخدامه، وصيانته بشكل صحيح في جميع الأوقات. يجب أن تُحفظ هذه التعليمات مع هذا المنتج.

باستخدام هذا المنتج، فإنك تؤكد بمقتضى ذلك أنك قد قرأت إخلاء المسؤولية المشار إليها، وكافة التعليمات، والإرشادات، والتحذيرات بعناية وأنك تفهم الشروط والأحكام وتوافق على الالتزام بها على النحو المنصوص عليه هنا. كما توافق على استخدام هذا المنتج فقط للغرض والاستعمال المقصود وفقاً للتعليمات، والإرشادات، والتحذيرات على النحو المنصوص عليه في دليل المنتج المشار إليه وكذلك وفقاً لجميع القوانين واللوائح المعمول بها. قد يؤدي عدم قراءة التعليمات والتحذيرات المنصوص عليها في هذه الوثيقة واتباعها إلى حدوث إصابة لك وللآخرين أو تلف منتجك أو تلف الممتلكات الأخرى الموجودة بالقرب منه. قد يخضع دليل المنتج المشار إليه، بما فيه من تعليمات وإرشادات وتحذيرات، والوثائق ذات الصلة للتغيير والتحديث. للحصول على أحدث معلومات عن المنتج، يُرجى زيارة المستندات. dometic.com · dometic.com

المحتويات

1	شرح الرموز	463
2	تعليمات السلامة	464
3	محتويات التسليم	466
4	الملحقات	466
5	الاستخدام المقصود	467
6	وصف وظيفة الجهاز	468
6.1	مجموعة الوظائف	468
6.2	عناصر التشغيل والعرض	469
7	التشغيل	470
7.1	قبل الاستخدام الأول	470
7.2	توفير الطاقة	470
7.3	عكس اتجاه فتح الغطاء	470
7.4	توصيل جهاز التبريد	471
7.5	استخدام جهاز التبريد	471
7.6	استخدام الشاشة	472
7.7	قفل/فتح الشاشة	472
7.8	تحديد وحدات درجة الحرارة	472
7.9	ضبط درجة الحرارة	473
7.10	استخدام حماية البطارية	473
7.11	ضبط درجة سطوع الشاشة	473
7.12	تشغيل أو إيقاف تشغيل الحجيرات (موديل CFX3 75DZ و CFX3 95DZ فقط) . .	473
7.13	استخدام صانع الثلج (موديل CFX3 55IM فقط)	474
7.14	تنزيل تطبيق CFX3 app	475
7.15	ضبط إشارة Bluetooth والاتصال بالتطبيق	475
7.16	ضبط إشارة WiFi والاتصال بالتطبيق	476
7.17	تغيير اسم CFX وكلمة المرور في التطبيق	476
7.18	إعادة ضبط كلمة مرور التطبيق (WiFi فقط)	476
7.19	إعادة الضبط على إعدادات المصنع	476

476	منفذ USB للتوصيل بمصدر الطاقة	7.20
477	إذابة الثلج المتكون في جهاز التبريد	7.21
477	استبدال مصهر التيار المتردد	7.22
477	استبدال مصهر التيار المستمر	7.23
478	استبدال مصهر قابس التيار المستمر	7.24
478	استبدال لوحة الدائرة الإلكترونية المطبوعة الخاصة بالضوء	7.25
478	التنظيف والعناية	8
479	استكشاف الأخطاء وإصلاحها	9
481	الضمان	10
482	التخلص من الجهاز	11
482	البيانات التقنية	12

1 شرح الرموز

خطر!
إرشادات السلامة: تشير إلى وجود وضع خطير إذا لم يتم تجنبه، سيؤدي إلى الوفاة أو حدوث إصابة خطيرة.



تحذير!
إرشادات السلامة: تشير إلى وجود وضع خطير إذا لم يتم تجنبه، يمكن أن يؤدي إلى الوفاة أو حدوث إصابة خطيرة.



احتراس!
إرشادات السلامة: تشير إلى وجود وضع خطير إذا لم يتم تجنبه، يمكن أن يؤدي إلى حدوث إصابات بسيطة أو متوسطة.



تنبيه!
تشير إلى وجود وضع إذا لم يتم تجنبه، يمكن أن يؤدي إلى حدوث تلف الممتلكات.



ملحوظة
معلومات تكميلية لتشغيل المنتج.



2 تعليمات السلامة

خطر! إن عدم الالتزام بهذه التحذيرات سيؤدي إلى الوفاة أو حدوث إصابات خطيرة.



خطر التعرض إلى الصعق الكهربائي

- عند التشغيل: في حال تشغيل الجهاز بواسطة التيار الكهربائي الرئيسي، تأكد من أن مصدر الطاقة يحتوي على قاطع دائرة التيار المتبقي.
- لا تلمس الكابلات المكشوفة بيدين عاريتين. ينطبق ذلك خاصة عند تشغيل الجهاز من المصدر الرئيسي للتيار المتردد.
- تأكد قبل بدء تشغيل الجهاز لأول مرة من أن خط إمداد الطاقة والقياس جافين.

تحذير! عدم الالتزام بهذه التحذيرات قد يسفر عنه الوفاة أو التعرض لإصابات خطيرة.

خطر التعرض إلى الصعق الكهربائي



- تجنب تشغيل جهاز التبريد في حالة وجود عيوب واضحة به.
- في حالة تعرض كابل الطاقة بالجهاز للتلف، يجب استبداله لتجنب مخاطر السلامة.
- ينبغي تجنب إجراء إصلاحات بجهاز التبريد هذا إلا على يد أشخاص مؤهلين. يمكن أن تؤدي الإصلاحات غير السليمة إلى حدوث مخاطر بالغة.
- قم بتوصيل الجهاز بالمقبس الذي يضمن اتصال مناسباً خاصة عندما يحتاج الجهاز إلى التأريض.

خطر حريق

- عند وضع الجهاز، احرص على أن يكون سلك التغذية الكهربائية غير عالق أو تالف.
- لا تضع المقبس متعدد المنافذ المتنقل أو مغذيات القدرة الكهربائية المتنقلة في خلفية الجهاز.
- احرص على عدم وجود أي عوائق أمام فتحات التهوية في غطاء الجهاز أو في التركيبات.
- لا تستخدم أي قطع ميكانيكية أو وسائل أخرى للتسريع من عملية إذابة الثلج، ما لم يوصى بهذا من قبل الشركة المصنعة من أجل هذا الغرض.
- لا تلحق الضرر بدائرة التبريد.

المخاطر الصحية

- يمكن استخدام هذا الجهاز بواسطة الأطفال عمر 8 سنوات وأكبر، أو الأشخاص الذين يعانون من إعاقة بدنية أو حسية أو عقلية، أو ليس لديهم الخبرة والمعرفة الكافية، طالما كان هناك إشراف عليهم أو تم إعطاؤهم التعليمات الخاصة باستخدام الجهاز بطريقة آمنة، وكانوا مدركين للأخطار التي يمكن التعرض لها.
- لا يُسمح للأطفال اللعب بالجهاز.
- لا يُسمح للأطفال القيام بأعمال التنظيف والصيانة دون إشراف.
- يُسمح للأطفال من عمر 3 وحتى 8 سنوات بتعبئة أجهزة التبريد وتفرغها.

خطر الانفجار

- تجنب التخزين داخل جهاز التبريد مواد قابلة للانفجار، مثل البخاخات التي تحتوي على وقود قابل للاشتعال.

احتراس! إن عدم الالتزام بهذه التنبيهات يمكن أن يؤدي إلى حدوث إصابات بسيطة أو متوسطة.



خطر التعرض إلى الصعق الكهربائي

- افصل جهاز التبريد عن مصدر الطاقة
- قبل كل عملية تنظيف وصيانة
- بعد كل استخدام

المخاطر الصحية

لتجنب تلوث الطعام، يرجى اتباع التعليمات التالية:

- تأكد من توافق قدرة تبريد الجهاز مع متطلبات تخزين المواد الغذائية أو الأدوية المراد تبريدها.
- لا يمكن حفظ الأطعمة إلا في عيواتها الأصلية أو في حاويات مناسبة.
- يمكن أن يؤدي فتح جهاز التبريد لفترات طويلة إلى زيادة درجة حرارة أقسام الجهاز بصورة كبيرة.
- قم بانتظام بتنظيف الأسطح التي تلامس الأطعمة وأنظمة التصريف التي يمكن الوصول إليها.
- إذا تُرك الجهاز فارغاً لفترات طويلة:
 - أوقف تشغيل الجهاز.
 - أذب الثلج المتكوّن في الجهاز.
 - نظف الجهاز وجفّفه.
 - دع الغطاء مفتوحاً لمنع تكوّن العفن داخل الجهاز.

تنبيه! خطر التلف



- يرجى التحقق من تطابق مواصفات الجهد الكهربائي الواردة بلوحة البيانات مع نظيرتها الخاصة بمصدر الطاقة.
- تجنب توصيل جهاز التبريد إلا على النحو التالي:
 - باستخدام كابل توصيل تيار مستمر لمصدر طاقة تيار مستمر في السيارة
 - أو باستخدام كابل توصيل تيار متردد لمصدر طاقة تيار متردد
- تجنب مطلقاً فصل القابس من المقبس عن طريق شدة من كابل الطاقة.
- إذا كان جهاز التبريد متصلاً بمنفذ طاقة التيار المستمر، فافصل جهاز التبريد والأجهزة الأخرى المستهلكة للطاقة من البطارية قبل توصيل جهاز شحن سريع.
- إذا كان جهاز التبريد متصلاً بمنفذ طاقة التيار المستمر، فافصل جهاز التبريد أو أغلقه عند إيقاف تشغيل المحرك. وإلا قد يحدث تفريغ للبطارية.
- يعتبر جهاز التبريد غير مناسب لنقل مواد كاوية أو مواد تحتوي على مذيبيات.
- يحتوي عازل جهاز التبريد على مادة السيكلوبنتان القابلة للاشتعال وتتطلب إجراءات خاصة للتخلص منه. سلّم جهاز التبريد في نهاية دورة حياته إلى مركز إعادة تدوير مناسب.
- تجنب استخدام أي أجهزة كهربائية داخل جهاز التبريد، إلا إذا كان هذا الجهاز الكهربائي موصى به من الشركة المصنعة.

- لا تضع جهاز التبريد بالقرب من لهب مكشوف أو مصادر حرارة أخرى (مدفأة، ضوء الشمس المباشر، موقد غاز، وغيرها).
- **خطر ارتفاع درجة الحرارة!**
تأكد دائماً من وجود مساحة 50 ملم بحد أدنى للتهوية في الجوانب الأربعة المحيطة بجهاز التبريد. احرص على عدم وجود أي أجسام في هذه المنطقة قد تعوق من وصول الهواء إلى مكونات التبريد.
لا تضع جهاز التبريد في أثاث أو مناطق ضيقة لا يوجد بها تيار هواء.
- تأكد من عدم تغطية فتحات التهوية.
- تجنب ملء الحاوية الداخلية بأي سوائل أو تليج.
- تجنب مطلقاً غمر جهاز التبريد في الماء.
- احرص على حماية جهاز التبريد والكابلات من الحرارة والرطوبة.
- ويجب ألا يُعرض الجهاز للأمطار.

3 محتويات التسليم

الوصف	الكمية	العنصر في شكل 1، صفحة 3
جهاز التبريد	1	1
كابل التوصيل لتوصيل التيار المستمر	1	2
كابل التوصيل لتوصيل التيار المتردد	1	3

4 الملحقات

متوفرة كملحقات (وليس من ضمن محتويات التسليم):

الاسم	الرقم المرجعي	الموديل
غطاء حماية		
CFX3 25PC	9600028749	CFX3 25
CFX3 35PC	9600028455	CFX3 35
CFX3 45PC	9600028456	CFX3 45
CFX3 55PC	9600028457	CFX3 55
		CFX3 55IM
CFX3 75PC	9600028458	CFX3 75DZ

الاسم	الرقم المرجعي	الموديل
CFX3 95PC	9600028459	CFX3 95DZ
CFX3 100PC	9600028460	CFX3 100
درج الثلاجة		
CFX3 SLD3545	9600028548	CFX3 35
		CFX3 45
CFX3 SLD55	9600028549	CFX3 55
		CFX3 55IM
CFX3 SLD75	9600028550	CFX3 75DZ
CFX3 SLD95100	9600028551	CFX3 95DZ
		CFX3 100
CFX3 app	–	تناسب جميع الموديلات
PLB40	9600012878	تناسب جميع الموديلات

يرجى العلم بأن تطبيق CFX3 app قد يكون غير متوفر في بلدك.

5 الاستخدام المقصود

يلائم صندوق التبريد تبريد الطعام. يلائم صندوق التبريد أيضاً الاستخدام على متن السيارات. تم تصميم صندوق التبريد لتشغيله من مقيس إمداد تيار مستمر في السيارة أو من مصدر تيار متردد.

كما يعد صندوق التبريد ملائماً للاستخدام في المخيمات.

إن صندوق التبريد مخصص ليُستخدم في المنزل وفي استخدامات أخرى مماثلة مثل

- المطابخ داخل المتاجر والمكاتب وبيئات العمل الأخرى
- البيوت الريفية
- العملاء في الفنادق والنزل وغيرها من البيئات السكنية الأخرى
- البيئات التي توفر سرير وإفطار
- في عملية توريد الطعام وفي استخدامات مشابهة غير متعلقة بالبيع بالتجزئة

صندوق التبريد غير مناسب للأغراض التالية:

- تخزين المواد الكيميائية المسببة للتآكل أو الحارقة أو المحتوية على مذيبيات

يناسب صندوق التبريد هذا الغرض والاستعمال المقصود منه فقط وفقاً لهذه التعليمات.

يوفر دليل التشغيل هذا معلومات ضرورية للتركيب و/أو التشغيل الصحيح لصندوق التبريد. سيؤدي سوء التركيب و/أو التشغيل الخاطئ والصيانة غير الصحيحة إلى أداء غير مرضي وعطل محتمل.

لا تتحمل الشركة المصنعة أي مسؤولية عن أي ضرر أو تلف بالمنتج ناتج عن:

- عملية التجميع أو التوصيل غير الصحيحة بما في ذلك الجهد الزائد
 - صيانة غير صحيحة أو استخدام قطع غيار غير أصلية وغير مقدمة من الشركة المصنعة
 - إجراء تعديلات على المنتج دون حصول على إذن صريح من الشركة المصنعة
 - الاستخدام في أغراض أخرى خلاف الأغراض الموضحة في هذا الدليل
- تحتفظ شركة Dometic بالحق في تغيير شكل المنتج ومواصفاته.

6 وصف وظيفة الجهاز

إن الحفاظ على دائرة التبريد منخفضة مع المكثف يحقق عملية التبريد. بضمن العزل الجيد والمكثف القوي توفير تبريد كافي وسريع.

جهاز التبريد هو جهاز متنقل.

يمكن وضع جهاز التبريد على انحدار يصل إلى 30 درجة لفترة قصيرة.

6.1 مجموعة الوظائف

- مصدر طاقة مزود بدائرة الأولوية للتوصيل بمصدر تيار متردد
- حماية بطارية بثلاثة مستويات لحماية بطارية السيارة
- شاشة مزودة بمقياس درجة الحرارة حيث تعرض بالدرجة المئوية وبال فهرنهايت
- إعدادات درجة الحرارة على درجات كل منها بمقدار 1 درجة مئوية (1 درجة فهرنهايت)
- جهاز إرسال WiFi وخاصية Bluetooth مدمجة يمكن التحكم فيه باستخدام تطبيق
- مقابض حمل قابلة للطي
- شاحن USB للأجهزة المتنقلة مثل الهواتف المحمولة
- سلة سلكية قابلة للإزالة
- في موديل CFX3 55IM فقط: صانع الثلج

6.2 عناصر التشغيل والعرض

سقاطة للغطاء: شكل 2، 1، صفحة 3

لوحة التشغيل (شكل 3، صفحة 4):

العنصر	الوصف	الشرح
1		يعمل المبرد عند الضغط على الزر لمدة قصيرة يتوقف المبرد عن التشغيل عند الضغط على الزر لمدة ثلاث ثوانٍ يرجع إلى القائمة السابقة
2	شاشة العرض	يعرض المعلومات AC : تم التوصيل بمصدر طاقة تيار متردد DCV : تم التوصيل بمصدر طاقة تيار مستمر Bluetooth : تم تنشيط خاصية Bluetooth WiFi : تم تنشيط خاصية WiFi i : تم غلق الشاشة ● : المكثف يعمل ■ : صانع الثلج يعمل (في موديل CFX3 55IM فقط)
3		اضغط على △ للتنقل إلى أعلى أو زيادة القيمة المحددة. اضغط على ▽ للتنقل إلى أسفل أو تقليل القيمة المحددة. اضغط على △ و ▽ معا لمدة 3 ثوانٍ لقفل الشاشة أو فتحها.
4		اضغط لتحديد قائمة أو حفظ القيمة المحددة.

مقاييس التوصيل (شكل 4، صفحة 4):

العنصر	الوصف
1	مقيس التوصيل بمصدر جهد التيار المتردد
2	مقيس التوصيل بمصدر جهد التيار المستمر
3	حامل مصهر التيار المستمر
4	حامل مصهر التيار المتردد

7 التشغيل

لتجنب إهدار الأطعمة، عليك مراعاة التالي:

- حافظ قدر الإمكان على أدنى مستوى لتقلب درجة الحرارة. لا تفتح جهاز التبريد بشكل متكرر أكثر من اللازم. خزّن الأطعمة بطريقة تسمح للهواء بالدوران بشكل جيد.
- اضبط درجة الحرارة حسب كمية ونوع الأطعمة.
- يمكن أن تُصدر المواد الغذائية روائح أو تمتصها. يجب دائماً تخزين المواد الغذائية مغطاة أو في حاويات/زجاجات مغلقة.

7.1 قبل الاستخدام الأول

ملحوظة



قبل بدء تشغيل جهاز التبريد الجديد لأول مرة، يجب عليك تنظيفه من الداخل والخارج بقطعة قماش مبللة لأسباب متعلقة بالصحة (يرجى أيضاً الرجوع إلى فصل „التنظيف والعناية“ صفحة 478).

7.2 توفير الطاقة

- اختر موقعاً جيد التهوية بعيداً عن أشعة الشمس المباشرة.
- اترك الطعام الدافئ حتى يبرد أولاً قبل وضعه في جهاز التبريد للحفاظ عليه بارداً.
- لا تفتح جهاز التبريد بشكل متكرر أكثر من اللازم.
- لا تترك جهاز التبريد مفتوحاً لفترة أطول من اللازم.
- في حال كان المبرد يحتوي على سلة: للحصول على استهلاك طاقة أمثل، ضع السلة مثلما كانت عليه عند التسليم.
- تحقق بشكل منتظم من تثبيت شريط إحكام الغلق في مكانه جيداً.

7.3 عكس اتجاه فتح الغطاء

CFX3 55، و CFX3 55IM، و CFX3 100

► اتبع الخطوات التالية (شكل 5، صفحة 5).

CFX3 75DZ و CFX3 95DZ

► اتبع الخطوات التالية (شكل 6، صفحة 6).

7.4 توصيل جهاز التبريد

تنبيه! خطر التلف



- بغرض حماية الجهاز، فإن كابل التيار المستمر المتوفر مع الجهاز يحتوي على مصهر داخل القابس. لذلك تجنب إزالة قابس التيار المستمر المزود بمصهر.
- لا تستخدم سوى كابل التيار المستمر المتوفر مع الجهاز.
- افصل جهاز التبريد والوحدات الأخرى المستهلكة للطاقة من البطارية قبل توصيل البطارية بجهاز شحن سريع.
- يمكن أن تتسبب الفولتية الزائدة في تلف إلكترونيات الجهاز.

التوصيل ببطارية

➤ اتبع الخطوات التالية (شكل 7، صفحة 7).

توصيل عبر سلك التيار المستمر الممتد (موديل CFX3 100 فقط)

➤ اتبع الخطوات التالية (شكل 8، صفحة 8).

التوصيل بمصدر تيار متردد

خطر! خطر التعرض إلى الصعق الكهربائي



- يجب عدم الإمساك بالقوابس والمفاتيح مطلقًا إذا كانت يديك مبللة أو كنت تقف على سطح مبلل.
- إذا كنت تقوم بتشغيل جهاز التبريد على متن قارب من مصدر طاقة تيار متردد، يجب تثبيت قاطع دائرة التيار الحالي بين مصدر طاقة التيار المتردد وجهاز التبريد.
- اطلب نصيحة أحد الفنيين المدربين.

➤ اتبع الخطوات التالية (شكل 9، صفحة 9).

7.5 استخدام جهاز التبريد

تنبيه! خطر ارتفاع درجة الحرارة



- تأكد من توافر تهوية كافية طوال الوقت لتنفيس الحرارة الناتجة أثناء التشغيل. تأكد من عدم تغطية فتحات التهوية. تأكد من وضع الجهاز بعيدًا عن الجدران أو الأجسام الأخرى بمسافة كافية حتى يتسنى تدوير الهواء.

ملحوظة



عند التشغيل باستخدام البطارية، تتوقف الشاشة تلقائيًا عن العمل عند انخفاض جهد البطارية.

- تشغيل جهاز التبريد: شكل 10، صفحة 9
- إيقاف تشغيل جهاز التبريد: شكل 11، صفحة 10

7.6 استخدام الشاشة

عرض الدول (شكل 12، صفحة 10)

العنصر الوصف
A وضع الاستعداد
B وضع الخمول
C وضع الإغلاق

نظرة عامة على الشاشة: شكل 13، صفحة 11

التنقل بين القوائم

تم تحديد القائمة المظللة.

➤ اضغط على \triangle للتنقل إلى أعلى.

➤ اضغط على ∇ للتنقل إلى أسفل.

اختيار قائمة

➤ اضغط على \odot (OK) لتحديد القائمة المطلوبة.

تغيير الإعدادات

تم تحديد الإعداد أو القيمة المظللة.

➤ اضغط على \triangle لزيادة القيمة المحددة أو اختيار الإعداد السابق.

➤ اضغط على ∇ لتقليل القيمة المحددة أو اختيار الإعداد التالي.

الرجوع إلى القائمة السابقة

➤ اضغط على \leftarrow للرجوع إلى القائمة السابقة دون حفظ.

7.7 قفل/فتح الشاشة

➤ اضغط على \triangle و ∇ معاً لمدة 3 ثوانٍ لقفل الشاشة أو فتحها (شكل 14، صفحة 11).

7.8 تحديد وحدات درجة الحرارة

➤ اتبع الخطوات التالية (شكل 15، صفحة 11).

7.9 ضبط درجة الحرارة

تنبيه! خطر التعرض للتلف الناجم عن الانخفاض الشديد في درجة الحرارة
تأكد من أن المنتجات الموضوعه داخل المبرد هي فقط المنتجات المراد تبريدها عند درجة
الحرارة المحددة.



► اتبع الخطوات التالية (شكل 16، صفحة 12).

7.10 استخدام حماية البطارية

الجهاز مزود بحماية بطارية ذي 3 مراحل. تحد حماية البطارية من التفريغ الزائد عند توصيل الجهاز ببطارية
بدء السيارة أو زيادة استخدام بطارية الإمداد إلى أقصى حد.

في حالة تشغيل جهاز التبريد وكان مفتاح إشعال السيارة مغلقاً، يتوقف جهاز التبريد عن العمل تلقائياً، بمجرد
انخفاض جهد الإمداد عن المستوى المحدد. سوف يُعاد تشغيل جهاز التبريد مرة أخرى بمجرد إعادة شحن
البطارية إلى مستوى الجهد اللازم لإعادة التشغيل.

تنبيه! خطر التلف

في حالة التوقف عن التشغيل بسبب حماية البطارية، لن تصبح البطارية مشحونة بالكامل.
تجنب إعادة التشغيل بشكل متكرر. تأكد من إعادة شحن البطارية.



ملحوظة

عند تجهيز جهاز التبريد ببطارية بدء التشغيل، حدد وضع حماية البطارية „MEDIUM“
(متوسط) أو „HIGH“ (مرتفع). إذا كان المبرد متصلاً ببطارية إمداد، فإن وضع حماية
البطارية „LOW“ (منخفض) مثالي.



► اتبع الخطوات التالية (شكل 17، صفحة 13).

7.11 ضبط درجة سطوع الشاشة

► اتبع الخطوات التالية (شكل 18، صفحة 13).

7.12 تشغيل أو إيقاف تشغيل الحجيرات (موديل CFX3 75DZ و CFX3 95DZ فقط)

يمكنك تنشيط كل منطقة على حده أو كلاهما.

► اتبع الخطوات التالية (شكل 19، صفحة 14).

7.13 استخدام صانع الثلج (موديل CFX3 55IM فقط)

ملحوظة



- بصرف النظر عن درجة حرارة الحجرة الرئيسية، تم تصميم منطقة صانع الثلج لصنع مكعبات الثلج في حال كان صانع الثلج قيد التشغيل.
- يزداد استهلاك طاقة المبرد عندما يكون صانع الثلج قيد التشغيل. لهذا، ينبغي عليك إيقاف تشغيل صانع الثلج إذا لم يكن هناك حاجة إليه.
- يعد „OFF“ هو الإعداد الافتراضي للمصنع في صانع الثلج.

➤ اتبع الخطوات التالية (شكل 20، صفحة 14).

تعبئة أدرج مكعبات الثلج بالماء

➤ قم بإزالة أدرج مكعبات الثلج (شكل 21، 1، صفحة 15) من مبيت صانع الثلج (شكل 21، 2، صفحة 15).

➤ قم بإزالة أغطية درج الثلج، واملأه بالماء النظيف وأعد تركيب الغطاء مع الحرص على الضغط على الحافة المحيطة لمنع التسرب.

➤ أعد تثبيت أدرج الثلج في مكانها في مبيت صانع الثلج ثم أغلق الغطاء.

ملحوظة



جفف أي ماء تسرب تحت أدرج الثلج.
سيقلل هذا الإجراء من تراكم الثلج تحت الأدرج ويصبح من الأسهل إزالته.

إزالة مكعبات الثلج

➤ افتح غطاء مبيت صانع الثلج وارفعه أسفل مقدمة أدرج الثلج.

ملحوظة



قد تتطلب عملية الإزالة بعض القوة باستخدام كلتا اليدين في الظروف المناخية عالية الرطوبة التي قد تخلق رابطة تلتصق أسفل أدرج الثلج.

➤ قم بإزالة أغطية درج الثلج وقم بلف الأدرج لفك مكعبات الثلج.

إزالة مبيت صانع الثلج

يمكن إزالة مبيت صانع الثلج للتنظيف أو عند عدم استخدامه لزيادة المساحة التي يمكن استغلالها داخل المبرد:

➤ ارفع المبيت من أحد الأطراف إلى أن تفتح العروة ثم قم بإزالته.

➤ قم بعكس الإجراء لإعادة التركيب واضغط على العرى لأسفل حتى تستقر في مكانها.

نصائح لاستخدام صانع الثلج

- يقوم صانع الثلج بتجهيز الثلج بسرعة لعدة ساعات بعد تشغيله ثم ينتقل تلقائياً إلى وضع صيانة الثلج لتقليل استهلاك الطاقة. عند الحاجة إلى مجموعات متعددة من الثلج في أسرع وقت ممكن، فإن إيقاف تشغيل صانع الثلج وإعادة تشغيله سيضعه في الوضع السريع لصنع الثلج. أعد الإجراء حسب الحاجة.
- قد لا يمكن الحفاظ على إعدادات درجة الحرارة المنخفضة لجهاز التجميد في الحجرة الرئيسية في ظروف درجات الحرارة المحيطة المرتفعة عندما يكون صانع الثلج قيد التشغيل.

تنظيف صانع الثلج وتجفيفه

- عندما لا يكون قيد الاستخدام، قم بتنظيف أدرج الثلج وجففها وداخل مبيت صانع الثلج لمنع تكون العفن.
- بعد الفترات الممتدة من عدم الاستخدام، قم بتنظيف داخل أدرج الثلج باستخدام محلول تنظيف مخفف واشطفه بماء نظيف قبل الاستخدام.

7.14 تنزيل تطبيق CFX3 app

يمكن التحكم في جهاز التبريد ومراقبته عبر Bluetooth أو WiFi باستخدام تطبيق يمكنك تثبيته على جهاز متوافق.

- قم بتنزيل تطبيق CFX3 app من متجر App Store أو Google Play.



يرجى العلم بأن تطبيق CFX3 app قد يكون غير متوفر في بلدك.

7.15 ضبط إشارة Bluetooth والاتصال بالتطبيق

يمكن التحكم في جهاز التبريد ومراقبته عبر Bluetooth. للقيام بهذا، يتعين عليك قرن جهاز التبريد بجهاز Bluetooth الخاص بك.

ملحوظة

- يجب إتمام الاقتران من إعدادات تطبيق CFX3 app، وليس في إعدادات الجهاز.
- غير مطلوب كلمة مرور لاتصال Bluetooth.

- اتبع الخطوات التالية (شكل 22، صفحة 15).

7.16 ضبط إشارة WiFi والاتصال بالتطبيق

يمكن التحكم في جهاز التبريد ومراقبته عبر WiFi مباشرة إلى جهاز التبريد أو عبر شبكة WiFi.

- اتبع الخطوات التالية (شكل 23، صفحة 16) لتشغيل WiFi.
- لتوصيل WiFi مباشرة إلى جهاز التبريد، انتقل إلى إعدادات الجهاز وحدد جهاز التبريد الخاص بك.
 - يبدأ اسم شبكة WiFi الخاص بجهاز التبريد لديك بـ „CFX3“.
 - أما كلمة المرور مسبقاً الضبط هي „00000000“.
 - يمكنك تخصيص اسم شبكة WiFi وكلمة المرور في تطبيق CFX3 app.

ملحوظة

للاتصال عبر شبكة WiFi، انتقل إلى „network connection“، للاتصال بالشبكة“ في SETTINGS (الإعدادات) الخاصة بالتطبيق.



7.17 تغيير اسم CFX وكلمة المرور في التطبيق

- يمكنك تخصيص اسم CFX الخاص بك في التطبيق.
- وينطبق نفس الاسم أيضاً على WiFi وBluetooth.
- كما يمكنك تخصيص كلمة المرور الخاصة بك في التطبيق -ينطبق على WiFi فقط.
- يرجى المواصلة إلى „اسم CFX وكلمة المرور“ في إعدادات التطبيق.

7.18 إعادة ضبط كلمة مرور التطبيق (WiFi فقط)

- يمكنك إعادة ضبط كلمة مرور التطبيق على إعداد المصنع „00000000“.
- اتبع الخطوات التالية (شكل 23، صفحة 16).

7.19 إعادة الضبط على إعدادات المصنع

- تُغير خاصية إعادة الضبط جميع خانات التطبيق وقائمة الشاشة إلى إعدادات المصنع الأصلية.
- اتبع الخطوات التالية (شكل 24، صفحة 16).

7.20 منفذ USB للتوصيل بمصدر الطاقة

يُتيح لك منفذ USB أن تقوم بشحن الأجهزة الصغيرة مثل الهواتف المحمولة ومشغلات mp3.

ملحوظة

تأكد من توافق أي جهاز صغير متصل بمنفذ USB مع التشغيل عند 5 فولت/2 أمبير.



- اتبع الخطوات التالية (شكل 26، صفحة 17).

7.21 إذابة الثلج المتكون في جهاز التبريد

قد تتسبب الرطوبة في تكوّن ثلج في الجزء الداخلي من صندوق التبريد أو على المبخرات. يقلل هذا من قدرة التبريد. قم بإذابة الثلج المتكوّن في جهاز التبريد في الوقت المناسب لتجنب ذلك.

تنبيه! خطر التلف

لا تستخدم أبدًا أدوات صلبة أو مدببة لإزالة الثلج أو لفك الأشياء المتجمدة في مكانها.



لإذابة الثلج المتكون في جهاز التبريد، اتبع الخطوات التالية:

- أخرج محتويات جهاز التبريد.
- إذا اقتضى الأمر، ضعها في جهاز تبريد آخر للحفاظ عليها باردة.
- أوقف تشغيل الجهاز.
- اترك الغطاء مفتوحًا.
- جفف الماء المذاب.

7.22 استبدال مصهر التيار المتردد

خطر! خطر التعرض إلى الصعق الكهربائي

افصل مصدر الطاقة وكابل التوصيل قبل استبدال مصهر الجهاز.



- افصل مصدر الطاقة المتصل بالجهاز.
- اسحب كابل التوصيل إلى الخارج.
- فك الجزء المُدخل من المصهر (شكل 4، صفحة 4) بمفك.
- استبدل مصهر الزجاج المعيب بمصهر جديد من النوع والفئة نفسها (سريع العمل، 4 أمبير، 250 فولت).
- اضغط على الجزء المدخل من المصهر إلى الخلف داخل المبيت.
- أعد توصيل مصدر الطاقة بالجهاز.

7.23 استبدال مصهر التيار المستمر

- فك غطاء المصهر (شكل 4، صفحة 3) بمفك.
- أعكس غطاء المصهر واستخدم خطاف لإزالة مصهر أطراف التوصيل المسطحة المعيبة.
- قم بتركيب مصهر جديد من النوع والفئة نفسها.
- أعد تثبيت غطاء المصهر.

7.24 استبدال مصهر قابس التيار المستمر

- ▶ استبدل المصهر المعيب بمصهر جديد من النوع والفئة نفسها.
- ▶ اتبع الخطوات التالية (شكل 27، صفحة 17).

7.25 استبدال لوحة الدائرة الإلكترونية المطبوعة الخاصة بالضوء

تنبيه! خطر التلف

يمكن استبدال الضوء من قبل الشركة المصنعة أو من قبل وكيل الخدمة أو شخص على نفس مستوى الكفاءة فقط، وذلك لتجنب الخطر.



8 التنظيف والعناية

تنبيه! خطر التلف

- تجنب مطلقاً تنظيف جهاز التبريد تحت الماء الجاري أو في ماء الشطف.
- لا تستخدم عند التنظيف أي مواد كاشطة أو أدوات حادة لأنها قد تتلف جهاز التبريد.



- ▶ نظّف جهاز التبريد من الداخل والخارج بقطعة قماش مبللة من حين لآخر.
- ▶ تأكد من أن فتحات دخول وخروج الهواء في الجهاز خالية من أي أتربة وأوساخ، حتى يتسنى تصريف الحرارة دون تعريض الجهاز للتلف.

9 استكشاف الأخطاء وإصلاحها

المشكلة	السبب المحتمل	الحل المقترح
الجهاز لا يعمل (وضع التيار المستمر ومفتاح الإشعال قيد التشغيل).	لا يوجد جهد في منفذ التيار المستمر.	في معظم السيارات يجب تشغيل الإشعال قبل إمداد الطاقة إلى منفذ طاقة التيار المستمر.
	منفذ التيار المستمر متسخ. يؤدي هذا إلى ضعف الاتصال الكهربائي.	إذا أصبح قابس الجهاز دافئًا للغاية داخل منفذ التيار المستمر، يجب إذن تنظيف منفذ التيار المستمر أو قد يكون القابس غير مجمع بشكل صحيح.
	انفجر مصهر التيار المستمر.	استبدل المصهر في قابس التيار المستمر، انظر فصل «استبدال مصهر قابس التيار المستمر» صفحة 478.
	انفجر مصهر التيار المستمر للجهاز.	استبدل مصهر التيار المستمر للجهاز، انظر فصل «استبدال مصهر التيار المستمر» صفحة 477.
	انفجر مصهر السيارة.	استبدل مصهر منفذ التيار المستمر الخاص بالسيارة. يرجى الرجوع إلى دليل التشغيل الخاص بسيارتك.
الجهاز لا يعمل (وضع التيار المتردد).	لا يوجد جهد في مقبس جهد التيار المتردد.	حاول التوصيل بمقبس آخر.
	انفجر مصهر التيار المتردد للجهاز.	استبدل مصهر التيار المتردد للجهاز، انظر فصل «استبدال مصهر التيار المتردد» صفحة 477.
	مهايئ التيار المتردد المدمج تالف.	لا يمكن إجراء الإصلاحات إلا من قِبل مركز إصلاحات معتمد.
الشاشة لا تستجيب للضغط على المفاتيح.	الشاشة مغلقة.	افتح الشاشة، انظر فصل «قفل/فتح الشاشة» صفحة 472.
لا يمكن للتطبيق التحكم في الجهاز.	Bluetooth أو WiFi غير متصل.	قم بتوصيل الـ Bluetooth، انظر فصل «ضبط إشارة Bluetooth والاتصال بالتطبيق» صفحة 475، أو قم بتوصيل الـ WiFi، انظر فصل «ضبط إشارة WiFi والاتصال بالتطبيق» صفحة 476.
تعرض الشاشة رسالة تنبيه أو كود تحذير.	—	انظر الجدول أدناه.

رسائل تنبيه

على سبيل المثال انظر شكل **25** A، صفحة 16.

رسالة تنبيه	الوصف	السبب المحتمل	الحل المقترح
إنتبيه - غطاء مفتوح < 3 دقائق	غطاء مفتوح لأكثر من 3 دقائق	<ul style="list-style-type: none"> الغطاء غير مغلق بإحكام عطل داخلي 	<ul style="list-style-type: none"> تحقق من إغلاق الغطاء بإحكام مطلوب فحص مركز إصلاحات معتمد
إنتبيه - انخفاض الجهد	لقد توقف الجهاز عن العمل على التيار المستمر بسبب الجهد المنخفض	<ul style="list-style-type: none"> جهد الإمداد غير كافٍ جهد البطارية منخفض للغاية ضُبطت حماية البطارية على مستوى مرتفع للغاية 	<ul style="list-style-type: none"> تحقق من انخفاض الجهد البطارية إلى منفذ الطاقة وزيادة مقياس الأسلاك إذا لزم الأمر اختبر البطارية واشحنها عند الضرورة حدد إعداد أقل لحماية البطارية
لقد توقف الجهاز عن العمل على التيار المستمر بسبب الجهد العالي بشكل غير طبيعي < 31.5 فولت (إذا حدث ذلك، وهو أمر غير محتمل - لحماية الإلكترونيات فقط - يستخدم رسالة التنبيه نفسها كما في الجهد المنخفض أعلاه)	لقد توقف الجهاز عن العمل على التيار المستمر بسبب الجهد العالي بشكل غير طبيعي < 31.5 فولت (إذا حدث ذلك، وهو أمر غير محتمل - لحماية الإلكترونيات فقط - يستخدم رسالة التنبيه نفسها كما في الجهد المنخفض أعلاه)	<ul style="list-style-type: none"> مواصفة جهد إمداد التيار المستمر خاطئة جهد الإمداد خاطئ عطل داخلي 	<ul style="list-style-type: none"> تأكد من تطابق مواصفة جهد إمداد التيار المستمر مع ملصق التصنيف الخاص بمنتج CFX3 تحقق من جهد إمداد التيار المستمر & وقم بإصلاحه أو استبداله إذا وجد به خلل مطلوب فحص مركز إصلاحات معتمد

أكواد التحذير

على سبيل المثال انظر شكل 25 B، صفحة 16.

كود التحذير	المشكلة	السبب المحتمل	الحل المقترح
تحذير 32	تيار زائد في المروحة	عطل داخلي.	قم بإيقاف تشغيل الجهاز لمدة 5 دقائق على الأقل، ثم أعد تشغيله. في حالة استمرار المشكلة، مطلوب فحص مركز إصلاحات معتمد
تحذير 33	فشل بدء تشغيل المكثف		
تحذير 34	سرعة المكثف منخفضة	• ارتفاع درجة الحرارة المحيطة	• قم بإيقاف تشغيل الجهاز لمدة 30 دقيقة على الأقل، أو انتقله إلى مكان جهاز التبريد ثم أعد التشغيل
تحذير 35	منظم درجة الحرارة المرتفعة	• فتحة التهوية مسدودة أو مساحة خالية غير كافية • عطل داخلي	• قم بإخلاء فتحات التهوية • مطلوب فحص مركز إصلاحات معتمد
تحذير 01	دائرة NTC المفتوحة SZ و DZ LARGE	عطل داخلي	مطلوب فحص مركز إصلاحات معتمد
تحذير 11	دائرة NTC المفتوحة DZ SMALL		
تحذير 02	دائرة NTC القصيرة SZ و DZ LARGE		
تحذير 12	دائرة NTC القصيرة DZ SMALL		
تحذير 09	أخطاء في صمام DZ أو صمام صانع الثلج		قم بإيقاف تشغيل الجهاز لمدة دقيقة على الأقل، ثم أعد تشغيله. في حالة استمرار المشكلة، مطلوب فحص مركز إصلاحات معتمد
تحذير 03/43	خطأ في الاتصال		

10 الضمان

يتم تطبيق فترة الضمان القانونية. عند وجود عيب في المنتج، يرجى الاتصال ببائع التجزئة الذي تتعامل معه أو بفرع الشركة المصنعة في بلدك (انظر dometic.com/dealer).

لتنفيذ إجراءات الإصلاح والضمان، يجب إرفاق المستندات التالية مع المنتج:

- نسخة من الفاتورة مع تاريخ الشراء
- سبب الشكوى أو وصف للعطل

11 التخلص من الجهاز



تحذير! خطر انحباس الأطفال

قبل التخلص من جهاز التبريد القديم الخاص بك:

- فك الغطاء.
- اترك السلّات في مكانها حتى لا يتمكن الأطفال من التسلق إلى داخله بسهولة.

إعادة تدوير مواد التغليف

➤ ضع مواد التغليف في الصناديق المناسبة الخاصة بالنفايات القابلة لإعادة التدوير قدر الإمكان.



إعادة تدوير المنتجات المزودة ببطاريات غير قابلة للاستبدال أو ببطاريات قابلة لإعادة الشحن أو بمصادر الإضاءة

➤ إذا كان المنتج يحتوي على أي بطاريات غير قابلة للاستبدال أو بطاريات قابلة لإعادة الشحن أو على مصادر الإضاءة، فلا داعي لإزالتها قبل التخلص منها.

➤ إذا كنت ترغب في التخلص من المنتج نهائياً، فاطلب من مركز إعادة التدوير المحلي أو التاجر المتخصص الحصول على تفاصيل حول كيفية القيام بذلك وفقاً للوائح التخلص المعمول بها.

➤ يمكن التخلص من المنتج مجاناً.



12 البيانات التقنية

ملحوظة

لا يمكن الوصول إلى الحد الأدنى من درجة الحرارة الموضحة في «قدرة التبريد» إذا كانت درجة الحرارة المحيطة أعلى من 32 درجة مئوية (90 درجة فهرنهايت) لموديلات CFX3 25/35/45/55/55IM/100 أو كانت درجة الحرارة المحيطة أعلى من 30 درجة مئوية (86 درجة فهرنهايت) لموديلات CFX3 75DZ/95DZ (صبط صغير – 22 درجة مئوية/كبير +4 درجة مئوية).



الاختبار/الشهادات:



CFX3 35	CFX3 25	
12/24 فولت== 100 – 240 فولت ~		جهد التوصيل:
12 فولت== 7.5 أمبير 24 فولت== 3.3 أمبير 100 فولت: ~ 0.94 أمبير 240 فولت: ~ 0.39 أمبير	12 فولت== 6.5 أمبير 24 فولت== 3.2 أمبير 100 فولت: ~ 0.90 أمبير 240 فولت: ~ 0.38 أمبير	التيار المقدر:
20+ ° درجة مئوية إلى 22- ° درجة مئوية (+68 ° درجة فهرنهايت إلى -8 ° درجة فهرنهايت)		قدرة التبريد:
N، T		قناة المناخ:
16+ ° درجة مئوية إلى 43+ ° درجة مئوية (+61 ° درجة فهرنهايت إلى +110 ° درجة فهرنهايت)		درجة الحرارة المحيطة:
5 فولت2، == أمبير		مفخذ شحن USB:
شبكة WiFi: 2412 ميغا هرتز – 2472 ميغا هرتز/2422 ميغا هرتز – 2462 ميغا هرتز Bluetooth/BLE: 2402 ميغا هرتز - 2480 ميغا هرتز		نطاق التردد:
2.4 جيجا هرتز		نطاق التردد (WiFi):
شبكة WiFi: 16.62 ديسيبيل ملي واط (802.11b)، 16.23 ديسيبيل ملي واط (802.11g)، 16.45 ديسيبيل ملي واط (802.11n20)، 16.02 ديسيبيل ملي واط (802.11n40) إشارة Bluetooth: 8.31 ديسيبيل ملي واط Bluetooth LE: 6.67 ديسيبيل ملي واط		قدرة خرج تردد الراديو:
38 جرام	32 كجم	كمية المبرد:
0.054 طن	0.046 طن	مكافئ ثاني أكسيد الكربون:
1430		احتمالية حدوث احتباس حراري (GWP):
407 × 694 × 398	420 × 569 × 342	الأبعاد (عرض × عمق × ارتفاع) بالمليمتر (بما في ذلك المقابض):
16.9 كجم	12.7 كجم	الوزن:

CFX3 55	CFX3 45	
12/24 فولت== 100 – 240 فولت ~		جهد التوصيل:
12 فولت== 8.7 أمبير 24 فولت== 3.7 أمبير 100 فولت== 0.98 ~ أمبير 240 فولت== 0.41 ~ أمبير	12 فولت== 8.2 أمبير 24 فولت== 3.5 أمبير 100 فولت== 0.96 ~ أمبير 240 فولت== 0.40 ~ أمبير	التيار المقدر:
20+ درجة مئوية إلى -22 درجة مئوية (68+ درجة فهرنهايت إلى -8 درجة فهرنهايت)		قدرة التبريد:
N ، T		فئة المناخ:
16+ درجة مئوية إلى +43 درجة مئوية (61+ درجة فهرنهايت إلى +110 درجة فهرنهايت)		درجة الحرارة المحيطة:
5 فولت 2، == أمبير		مفخذ شحن USB:
شبكة WiFi: 2412 ميغا هرتز - 2472 ميغا هرتز/2422 ميغا هرتز - 2462 ميغا هرتز Bluetooth/BLE: 2402 ميغا هرتز - 2480 ميغا هرتز		نطاق التردد:
2.4 جيجا هرتز		نطاق التردد (WiFi):
شبكة WiFi: 16.62 ديسيبل ملي واط (802.11b)، 16.23 ديسيبل ملي واط (802.11g)، 16.45 ديسيبل ملي واط (802.11n20)، 16.02 ديسيبل ملي واط (802.11n40) إشارة Bluetooth: 8.31 ديسيبل ملي واط Bluetooth LE: 6.67 ديسيبل ملي واط		قدرة خرج تردد الراديو:
45 جرام	42 جرام	كمية المبرد:
0.064 طن	0.060 طن	مكافئ ثاني أكسيد الكربون:
1430		احتمالية حدوث احتباس حراري (GWP):
480 × 455 × 720	476 × 694 × 398	الأبعاد (عرض × عمق × ارتفاع) بالمليمتر (بما في ذلك المقايض):
20.4 كجم	18.7 كجم	الوزن:

CFX3 95DZ	CFX3 75DZ	CFX3 55IM	
12/24 فولت== 100 - 240 فولت ~			جهد التوصيل:
12 فولت==: 10.4 أمبير 24 فولت==: 4.6 أمبير 100 فولت ~: 1.22 أمبير 240 فولت ~: 0.51 أمبير	12 فولت==: 9.6 أمبير 24 فولت==: 4.2 أمبير 100 فولت ~: 1.12 أمبير 240 فولت ~: 0.47 أمبير	12 فولت==: 8.9 أمبير 24 فولت==: 3.8 أمبير 100 فولت ~: 1.00 أمبير 240 فولت ~: 0.42 أمبير	التيار المقدر:
20+ درجة مئوية إلى -22 درجة مئوية (68+ درجة فهرنهايت إلى -8 درجة فهرنهايت)			قدرة التبريد:
N, T			فئة المناخ:
16+ درجة مئوية إلى 43+ درجة مئوية (61+ درجة فهرنهايت إلى 110+ درجة فهرنهايت)			درجة الحرارة المحيطة:
5 فولت==، 2 أمبير			منفذ شحن USB:
شبكة WiFi: 2412 ميغا هرتز - 2472 ميغا هرتز/2422 ميغا هرتز - 2462 ميغا هرتز Bluetooth/BLE: 2402 ميغا هرتز - 2480 ميغا هرتز			نطاق التردد:
2.4 جيجا هرتز			نطاق التردد (WiFi):
شبكة WiFi: 16.62 ديسيبل ملي واط (802.11b)، 16.23 ديسيبل ملي واط (802.11g)، 16.45 ديسيبل ملي واط (802.11n20)، 16.02 ديسيبل ملي واط (802.11n40) إشارة Bluetooth: 8.31 ديسيبل ملي واط Bluetooth LE: 6.67 ديسيبل ملي واط			قدرة خرج تردد الراديو:
67 جرام	59 جرام	45 جرام	كمية المبرد:
0.096 طن	0.084 طن	0.064 طن	مكافئ ثاني أكسيد الكربون:
1430			احتمالية حدوث احتباس حراري (GWP):
472 × 530 × 962	472 × 495 × 892	480 × 455 × 720	الأبعاد (عرض × عمق × ارتفاع) بالمليمتر (بما في ذلك المقابض):
29.8 كجم	27.8 كجم	21.3 كجم	الوزن:

CFX3 100	
== فولت 12/24 ~ 100 - 240 فولت	جهد التوصيل:
12 فولت 10.8: === أمبير 24 فولت 4.8: === أمبير 100 فولت 1.28: ~ أمبير 240 فولت: 0.53 أمبير	التيار المقدر:
20+ درجة مئوية إلى -22 درجة مئوية (+68 درجة فهرنهايت إلى -8 درجة فهرنهايت)	قدرة التبريد:
N، T	فئة المناخ:
16+ درجة مئوية إلى +43 درجة مئوية (+61 درجة فهرنهايت إلى +110 درجة فهرنهايت)	درجة الحرارة المحيطة:
5 فولت 2، === أمبير	:USB
شبكة WiFi: 2412 ميغا هرتز - 2472 ميغا هرتز / 2422 ميغا هرتز - 2462 ميغا هرتز Bluetooth/BLE: 2402 ميغا هرتز - 2480 ميغا هرتز	نطاق التردد:
2.4 جيجا هرتز	نطاق التردد (WiFi):
شبكة WiFi: 16.62 ديسيبيل ملي واط (802.11b)، 16.23 ديسيبيل ملي واط (802.11g)، 16.45 ديسيبيل ملي واط (802.11n20)، 16.02 ديسيبيل ملي واط (802.11n40) إشارة Bluetooth: 8.31 ديسيبيل ملي واط Bluetooth LE: 6.67 ديسيبيل ملي واط	قدرة خرج تردد الراديو:
60 جم	كمية المبرد:
0.086 طن	مكافئ ثاني أكسيد الكربون:
1430	احتمالية حدوث احتباس حراري (GWP):
472 × 530 × 962	الأبعاد (عرض × عمق × ارتفاع) بالمليمتر (بما في ذلك المقابض):
29.6 كجم	الوزن:

تحتوي دائرة التبريد على R134a.

يحتوي هذا المنتج على غازات دفيئة مفلورة.

وحدة التبريد محكمة الغلق.

يتوافق الجهاز اللاسلكي Dometic CFX3 25 حتى CFX3 100 مع متطلبات التوجيه
EU/2014/53. يمكن العثور على المطابقة الخاصة بالجهاز على documents.dometic.com.

dometic.com

**YOUR LOCAL
DEALER**

dometic.com/dealer

**YOUR LOCAL
SUPPORT**

dometic.com/contact

**YOUR LOCAL
SALES OFFICE**

dometic.com/sales-offices
